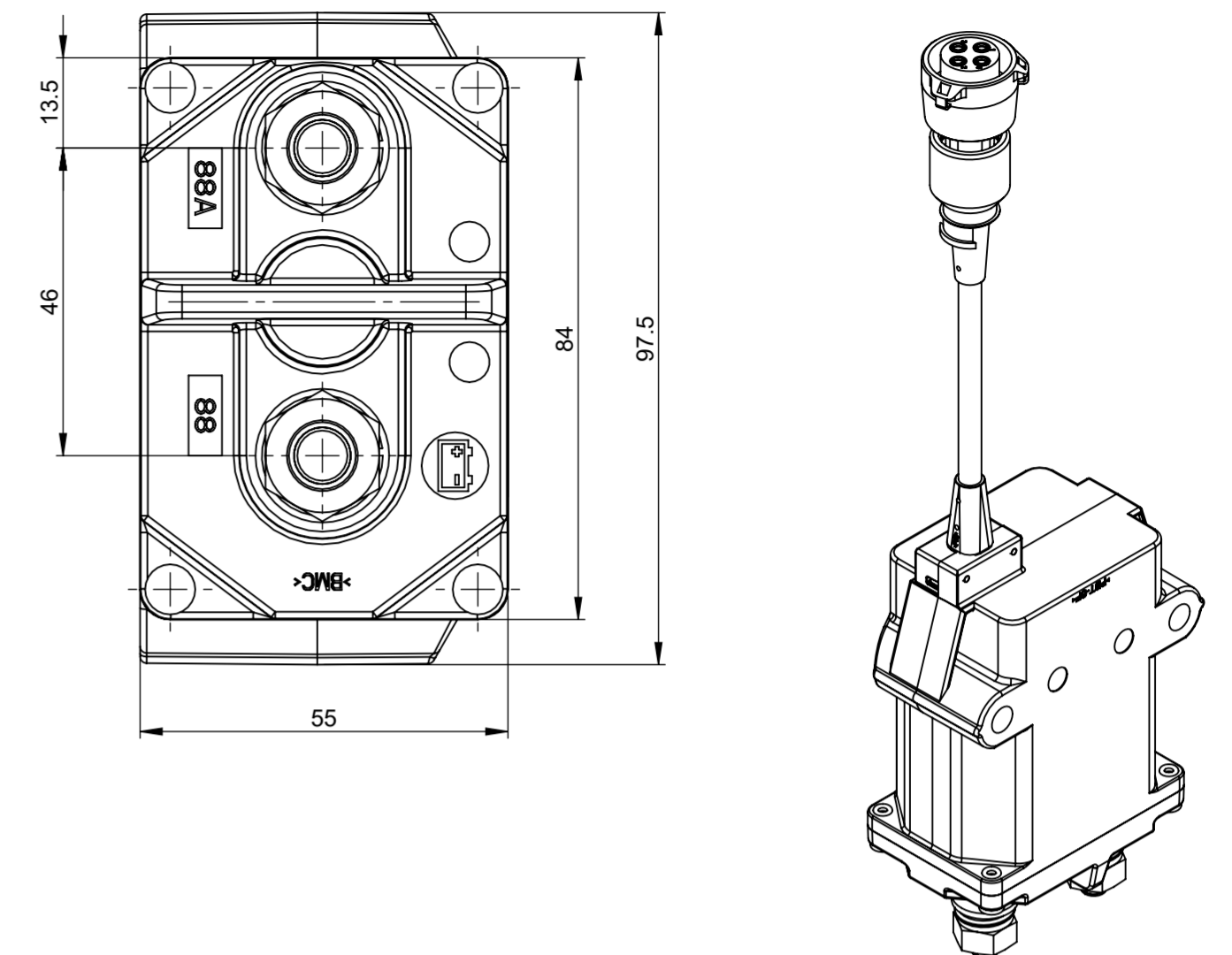
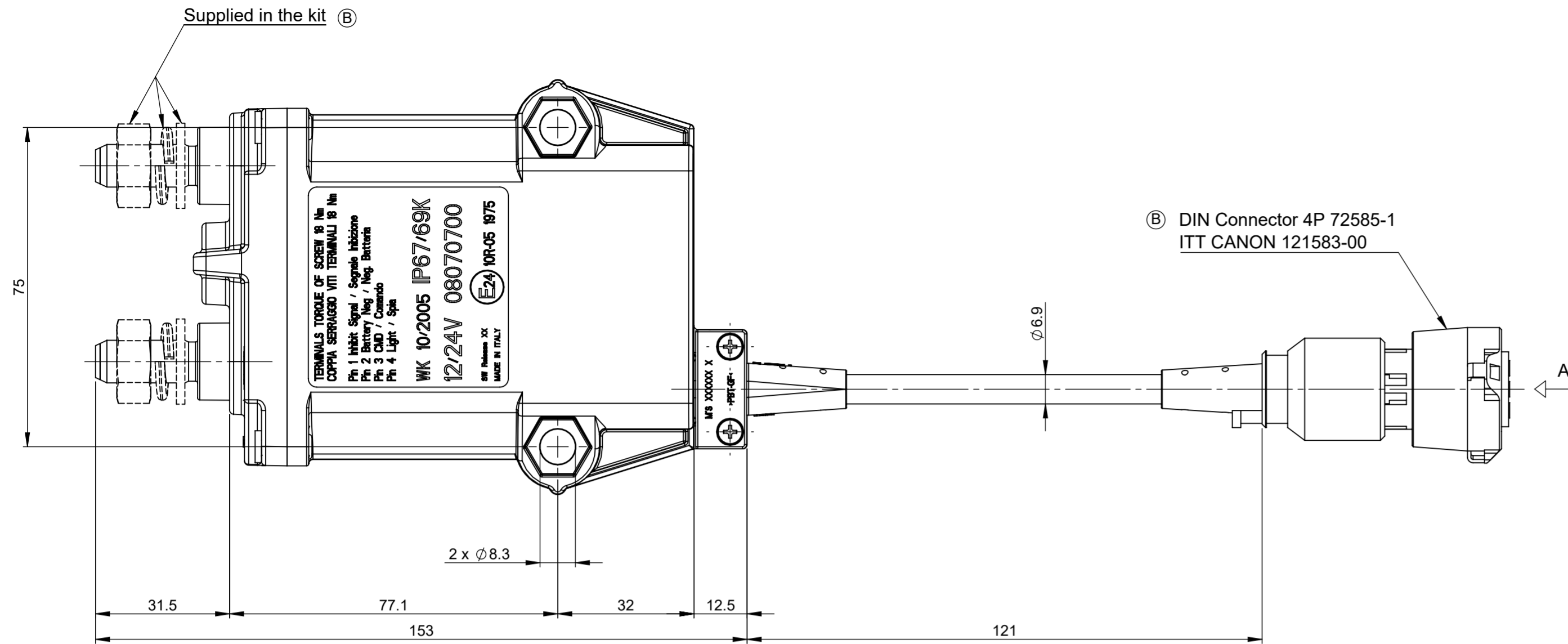
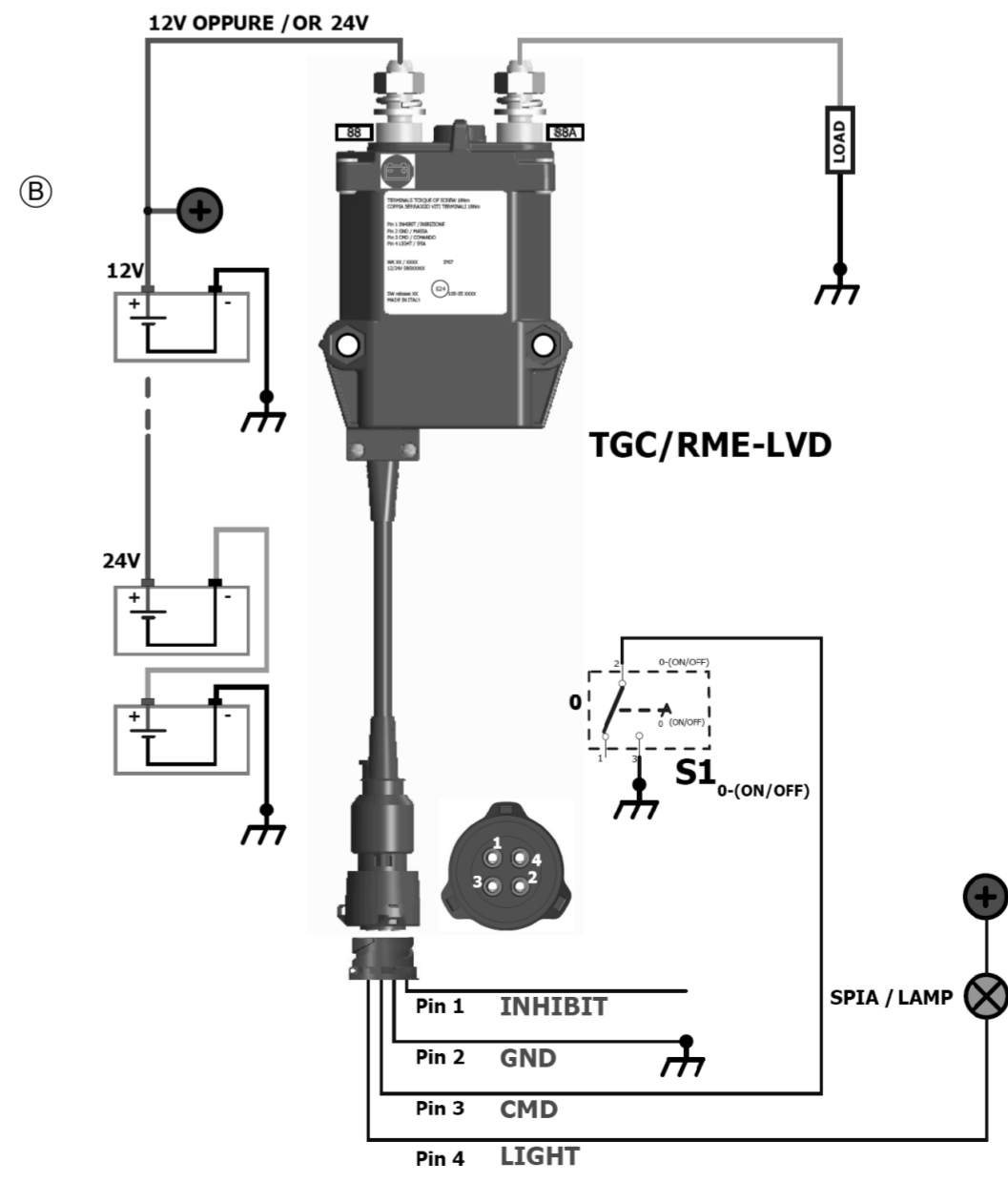
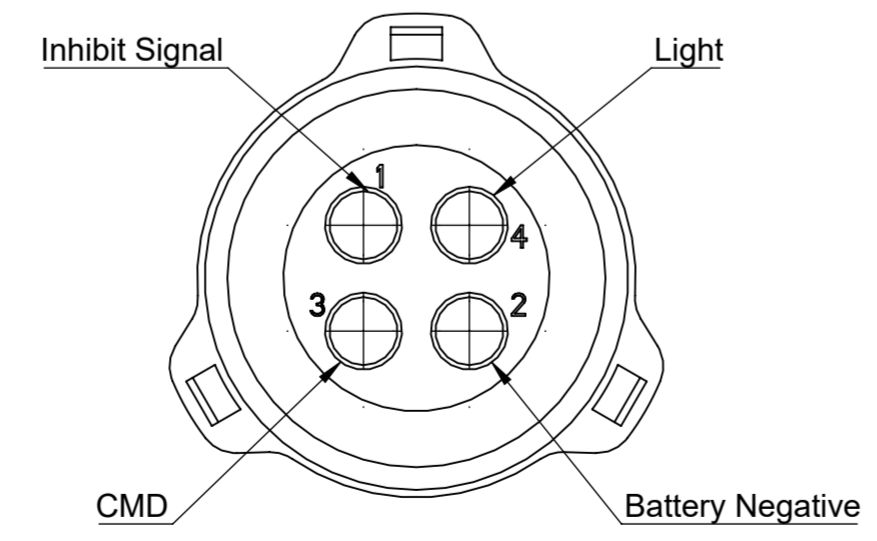
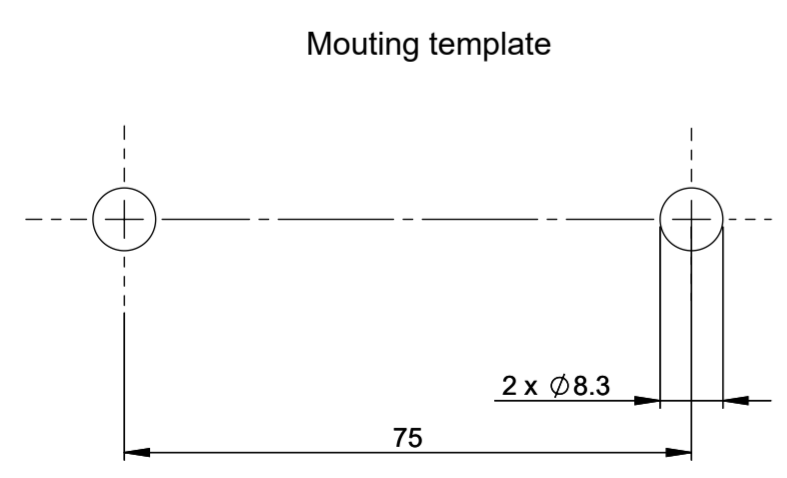
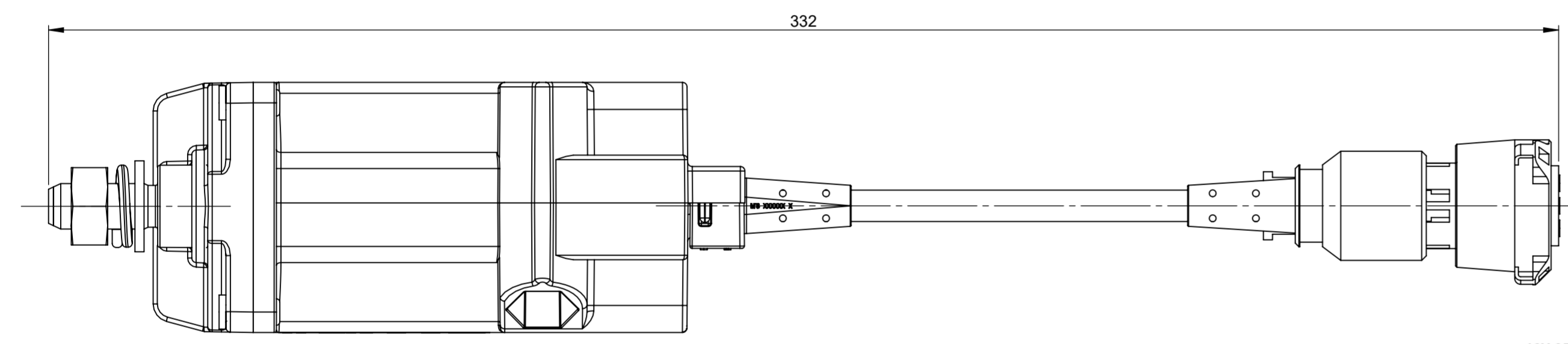


THIS DRAWING AND THE INFORMATION CONTAINED WITHIN IT ARE CONFIDENTIAL AND MAY NOT BE COPIED OR DISCLOSED WITHOUT THE WRITTEN PERMISSION OF LITTELFUSE.

REVISIONS		DATE	GCF / ECR	DESIGNED	APPROVED
REV. A	First issue of outline drawing	11-Jun-20		Gasparini	Tinto
REV. B	Updated notes, added notes and electrical diagram	28-Jul-22		L.Dal Molin	M.Tinto



- (B) CHARACTERISTICS**
- Nominal operating voltage: 12 -24V
 - Working voltage: 13.2 - 28V
 - Maximum direct current on main contacts: 250A
 - Short time maximum current on main contacts: 2000A for 5 sec.
 - Number of electrical and mechanical cycles: 45.000
 - Locking torque for nuts M10: 18 ± 1 Nm
 - Fix the device to the structure by means of M8 screws with locking torque: 10 ± 2 Nm
 - Supplying state: main bridge open



DIMENSIONS AND TOLERANCES IN MILLIMETERS, DEFINED ACCORDING TO ISO 1101-2017.						
linear dimensions						
0,5 3	>3 6	>6 30	>30 120	>120 400	>400 1000	>1000 2000
±0,2	±0,3	±0,5	±0,8	±1,2	±2	±3
angle (for range of lengths)						
up to 10	>10 50	>50 120	>120 400	>400 1000	>1000 2000	
±1°30'	±1°	±0°30'	±0°15'			
● FIT/ FUNCTION CRITICAL CHARACTERISTICS SYMBOL <S> SAFETY/ COMPLIANCE CRITICAL CHARACTERISTICS SYMBOL CPK DENOTES CPK DIMENSIONS MINIMUM CPK VALUE (ST) DENOTES A CHARACTERISTIC THAT PROVIDES AN INDICATION OF PROCESS PERFORMANCE.PROCEDURE FOR MEASUREMENT AND TRACKING TO BE DEFINED IN LITTELFUSE INSPECTION INSTRUCTIONS CP DENOTES CP DIMENSIONS. -MINIMUM CP VALUE MUST BE WITHIN THE DIMENSIONAL LIMITATIONS SHOWN ON DRAWING AND INITIALLY LOCATED TO ALLOW FOR MAXIMUM TOOL LIFE						
NAME	DATE	 Expertise Applied Answers Delivered				
DRAWN						
CHECKED						
FORM NO. CVP-PE40-0013 REV A		TITLE				
FIRST ANGLE PROJECTION		General Electrical 12/24V Main Switch TGC/RME-LVD (+)				
SIZE	A2	DWG. NO.	OL-08070700	OUTLINE REV.	B	
DO NOT SCALE DRAWING		SCALE 1:1	SHEET 1 OF 1			