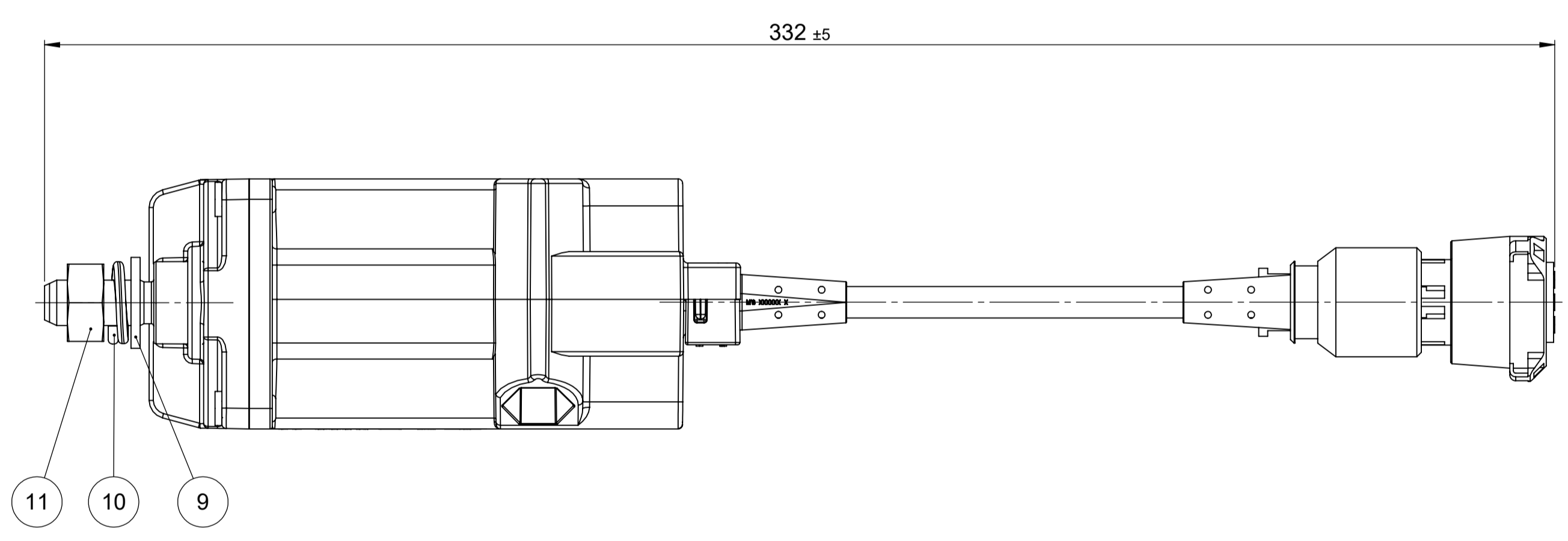
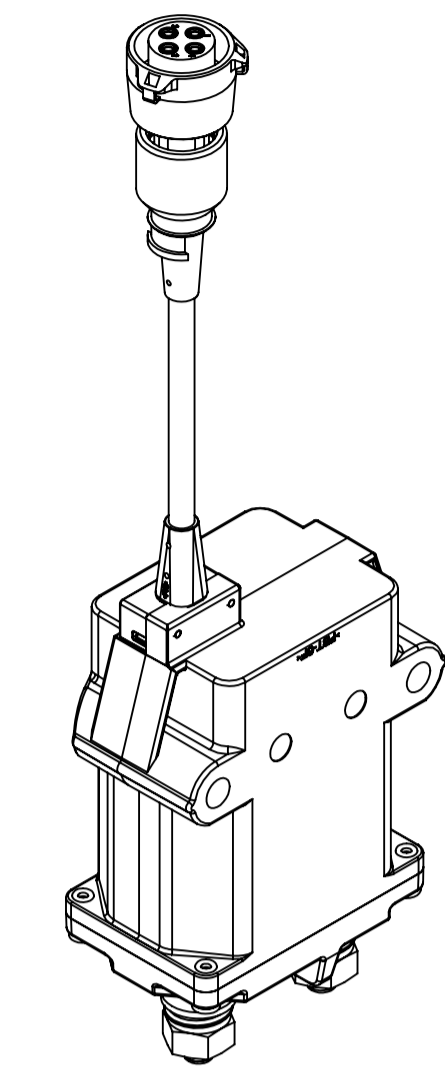
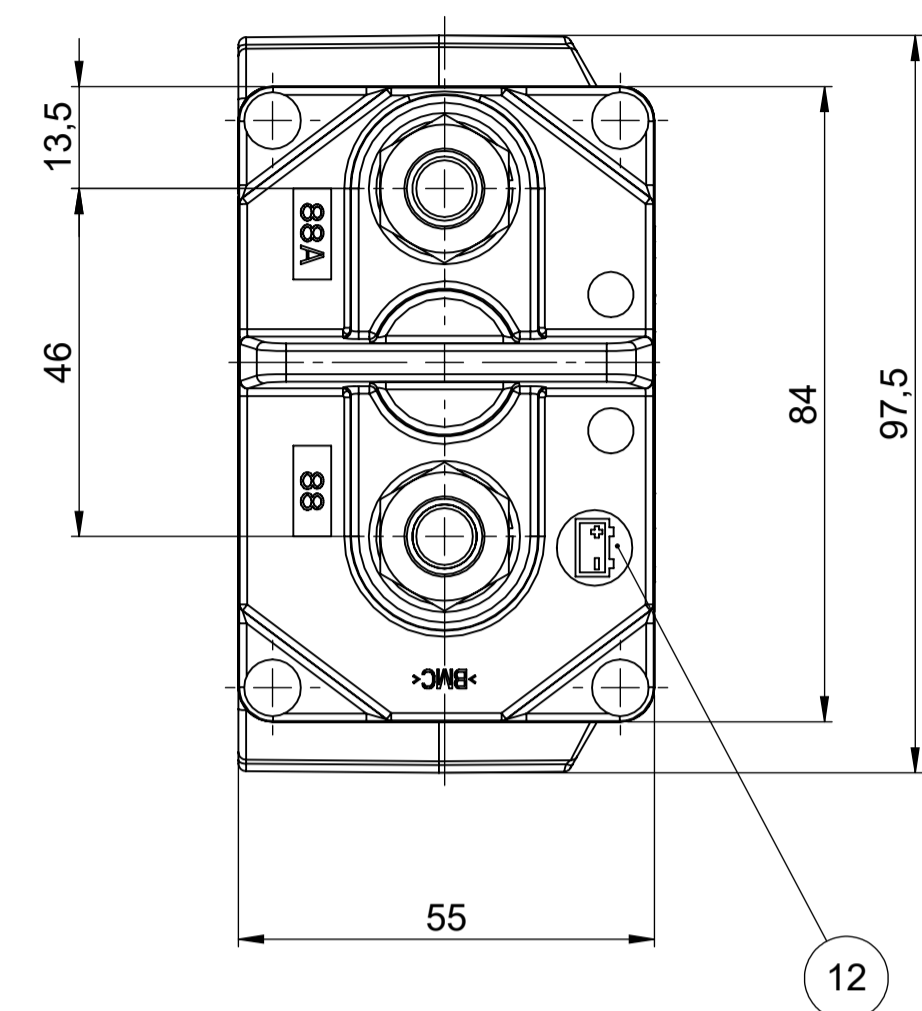
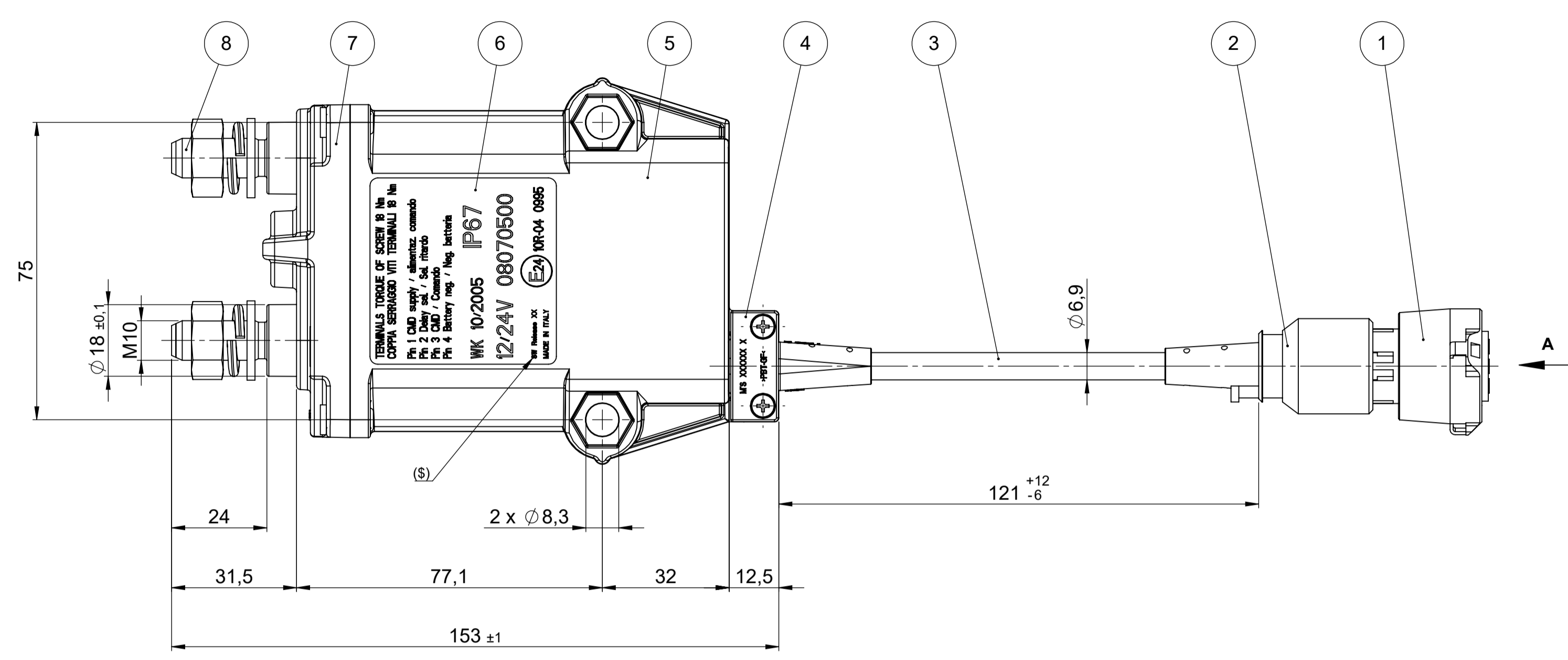


REV.	DESCRIPTION	REVISIONS		
		DATE	DESIGNED	APPROVED
A	FIRST ISSUE OF OUTLINE DRAWING	09-June-20	Gasparini	Tinto



LEGEND

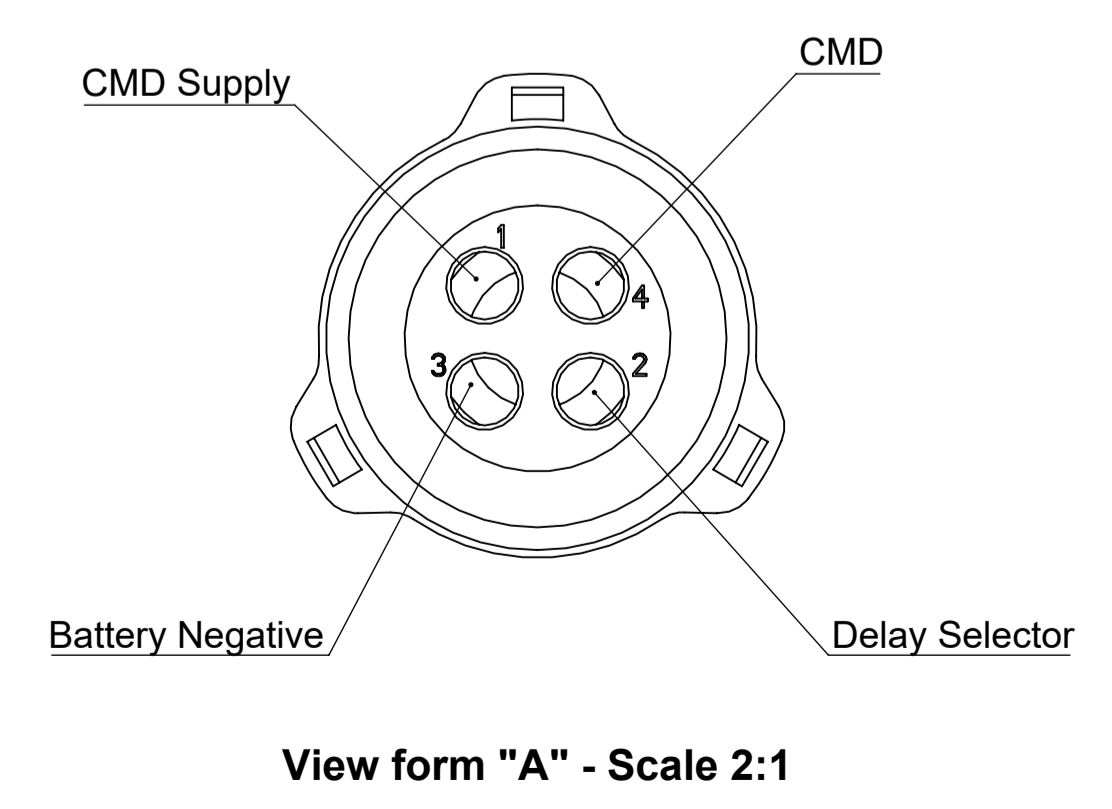
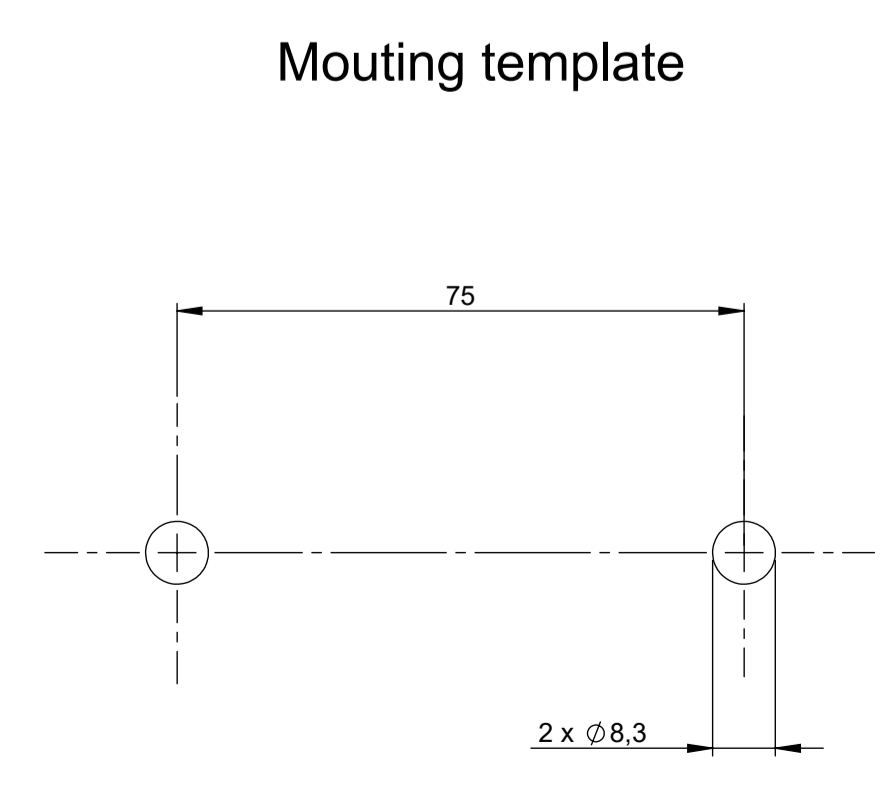
- 1) Plug connector 4 ways DIN 72585-1 ITT CANNON 121583-00 in thermoplastic PBT colour black
- 2) Protection for ITT CANNON connector 058-8578-100 in thermoplastic PBT colour black
- 3) 4 ways wiring 4x1 mm² in thermoplastic PVC colour black
- 4) Cable clamp in thermoplastic PBT colour black
- 5) Box in thermoplastic PBT colour black
- 6) Indestructible adhesive label with manufacturing week and year, P/N and pin-out connections
- 7) Studs holder cover in BMC colour black
- 8) M10 power studs in silver plated copper
- 9) Plane washer in stainless steel
- 10) Spring washer in stainless steel
- 11) M10 nut in stainless steel
- 12) Battery pole red label

FEATURES

- Max continuous current: 250A
- Number of electrical and mechanical cycles: 45.000
- ($\$$): Software Revision

NOTES

- Supplying state: main bridge open
- Components ref.9,10 and 11 are supplied in the kit
- Locking torque nuts M10:18±1Nm
- Fix the device to the structure by means of M8 screws with locking torque 10±2Nm



View from "A" - Scale 2:1

linear dimensions	
0,5	>3
±0,2	±0,3
>6	>30
±0,5	±0,8
>120	>400
±1,2	±2
>1000	>2000
±3	±3

angle (for range of lengths)	
up to 10	>120
±1°30'	±0°30'
>10	>50
±1°	±0°15'

●	FIT: FUNCTION CRITICAL CHARACTERISTICS SYMBOL
<S>	SAFETY: COMPLIANCE CRITICAL CHARACTERISTICS SYMBOL
CPK	DENOTES CPK DIMENSIONS MINIMUM CPK VALUE
(ST)	DENOTES A CHARACTERISTIC THAT PROVIDES AN INDICATION OF PROCESS PERFORMANCE PROCEDURE FOR MEASUREMENT AND TRACKING TO BE DEFINED IN LITTELFUSE INSPECTION INSTRUCTIONS
CP	DENOTES CP DIMENSIONS. MINIMUM CP VALUE MUST BE WITHIN THE DIMENSIONAL LIMITATIONS SHOWN ON DRAWING AND INITIALLY LOCATED TO ALLOW FOR MAXIMUM TOOL LIFE

DRAWN	L. De Masi	DATE	09/05/2019
CHECKED			
FORM NO.	COP-RES-0013 REV.1	TITLE	General Electrical 12/24V Main Switch TGC/RME-M53 (+)
FIRST ANGLE PROJECTION		SIZE	A1
DO NOT SCALE DRAWING		SCALE	1:1

SAP drawing number:
Material and treatments:

