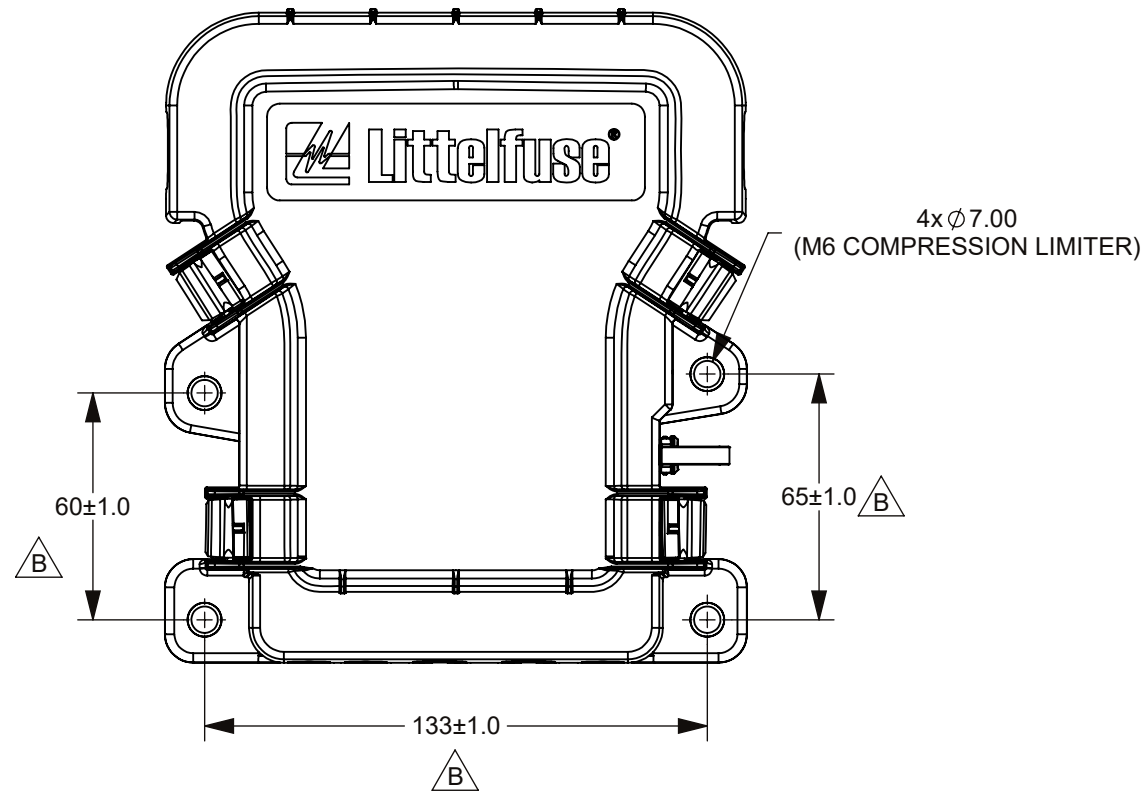


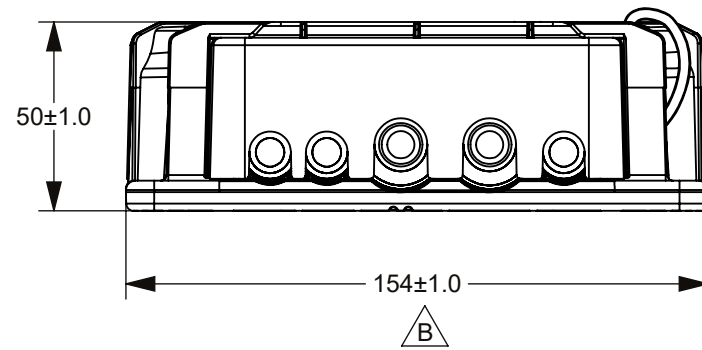
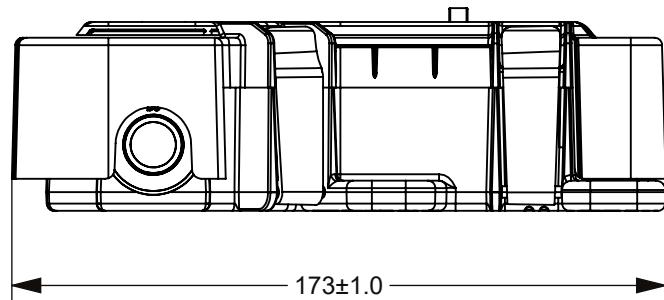
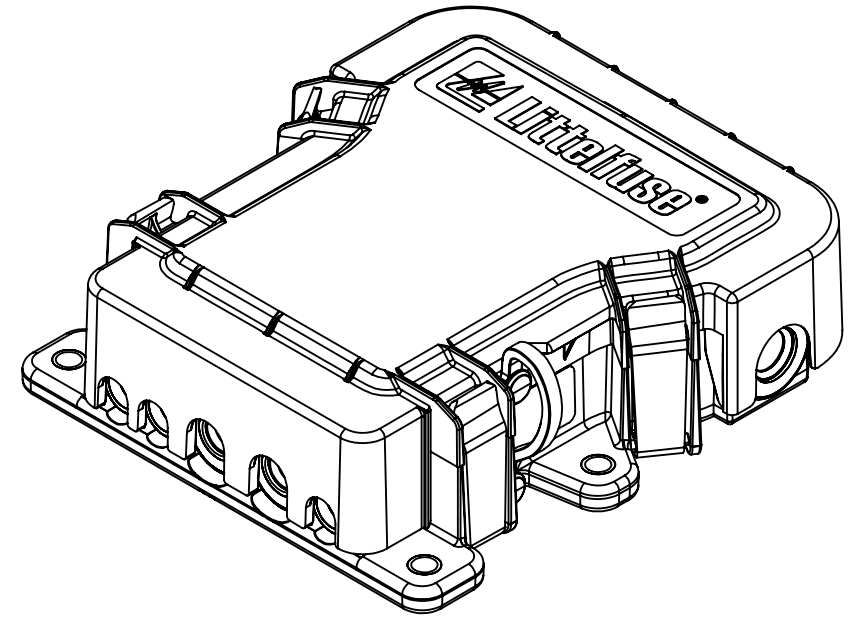
THIS DRAWING AND THE INFORMATION CONTAINED WITHIN IT ARE CONFIDENTIAL AND MAY NOT BE COPIED OR DISCLOSED WITHOUT THE WRITTEN PERMISSION OF LITTELFUSE.

PDM NOTES:

- TORQUE REQUIREMENTS, UNLESS OTHERWISE SPECIFIED:
 32V M5 STUDS: 4.5±1 N·m
 32V M8 STUDS: 15±3 N·m
 70V M6 STUDS: 9±1 N·m
 70V M8 STUDS: 20±1 N·m
 M6 VEHICLE MOUNTING: 9±1 N·m
- VENTING CUTS ON THE BASE SIDES CANNOT BE BLOCKED OTHERWISE FUNCTION WILL BE COMPROMISED



REVISIONS				
ZONE	REV.	DESCRIPTION	DATE	APPROVED
	A	INITIAL RELEASE, GCF 520158	5/30/2018	
	B	ECO 522669 NEW BASE, COVER, AND COVER SEAL GEOMETRY NEW BASE AND COVER MATERIAL REMOVE ASSEMBLY STEPS UPDATE 07985002ZXS & 07985004ZXS DESCRIPTION TO INCLUDE 70V ADD CABLE SIZE SPEC	6/24/2020	L.VOGL
	C	ECO 523037 REMOVE IP RATING, OPERATING TEMPERATURE, MAX CONTINUOUS CURRENT, AND MAX VOLTAGE FROM THE NOTES	10/28/2020	L.VOGL
	D	ECO 523331 ADD LABEL TO BOM	1/25/2021	L.VOGL



INTERPRET DRAWING TO ANSI/ASME Y14.5-1994.

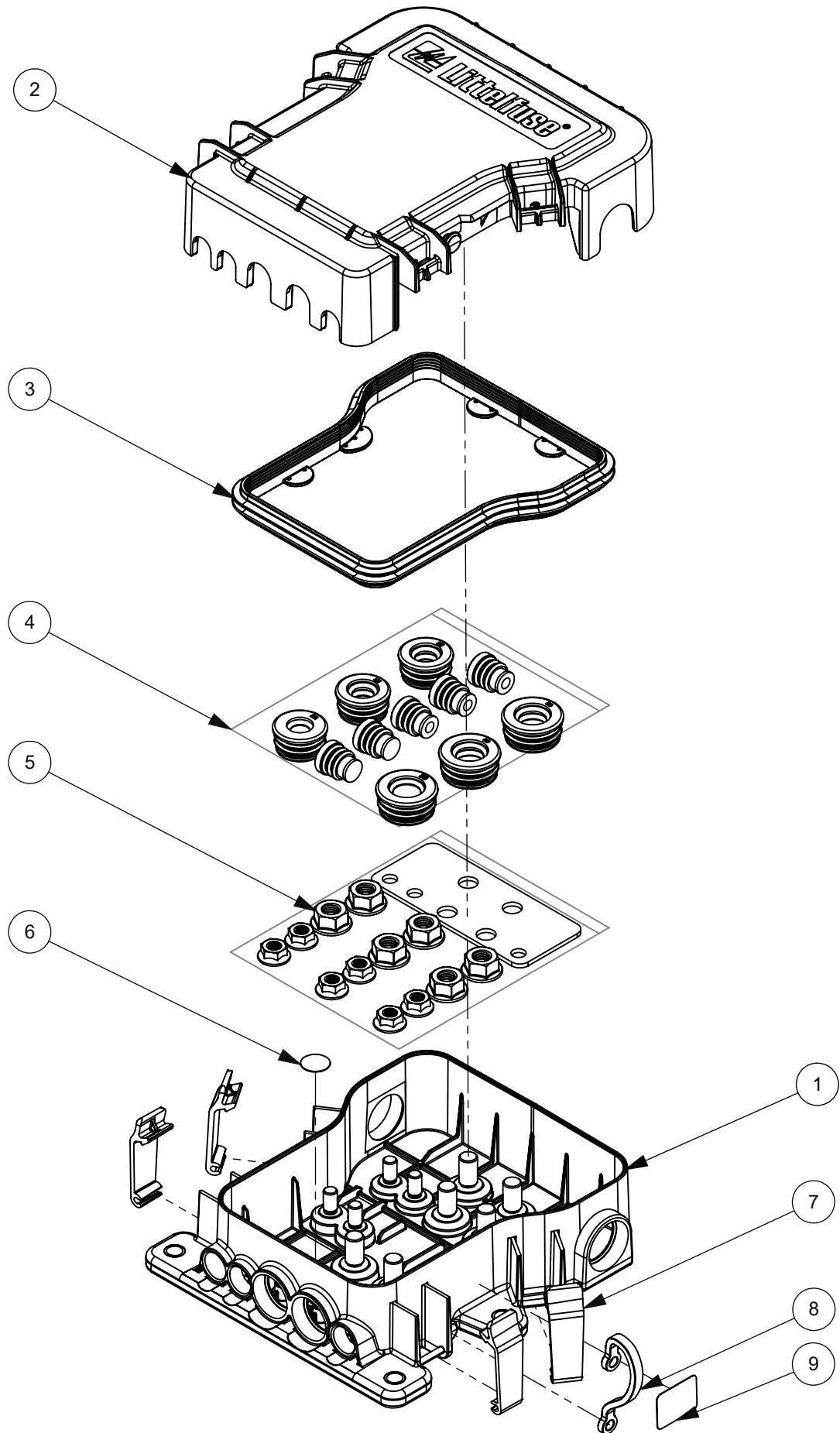
●	FIT/ FUNCTION CRITICAL CHARACTERISTICS SYMBOL
<S>	SAFETY/ COMPLIANCE CRITICAL CHARACTERISTICS SYMBOL
CPK	DENOTES CPK DIMENSIONS MINIMUM CPK VALUE
ST	DENOTES A CHARACTERISTIC THAT PROVIDES AN INDICATION OF PROCESS PERFORMANCE PROCEDURE FOR MEASUREMENT AND TRACKING TO BE DEFINED IN LITTELFUSE INSPECTION INSTRUCTIONS
CP	DENOTES CP DIMENSIONS, -MINIMUM CP VALUE MUST BE WITHIN THE DIMENSIONAL LIMITATIONS SHOWN ON DRAWING AND INITIALLY LOCATED TO ALLOW FOR MAXIMUM TOOL LIFE

DIMENSION: MM TOLERANCES UNLESS OTHERWISE SPECIFIED
 ONE PLACE DECIMAL ± 0.5 THREE PLACES DECIMAL ± 0.100
 TWO PLACES DECIMAL ± 0.20 ANGULAR ± 2°

ASSEMBLY PART NUMBERS		
VOLTAGE RATING	32V	70V \triangle
BULK (FUSE HOLDER ONLY)	07985001ZXS	07985002ZXS
AFTERMARKET (CABLE SEAL KIT AND FUSE HOLDER)	07985003ZXS	07985004ZXS

NAME	DATE	<p>Expertise Applied Answers Delivered</p>
DRAWN L.VOGL	5/30/2018	
CHECKED -	-	<p>TITLE</p> <p>MDB5 WAY POWER DISTRIBUTION MODULE</p>
-	-	
FORM NO: CVP-PE40-0004 REV A	<p>SIZE B DWG. NO. OL-07985000ZXS, CHART REV. D</p>	
THIRD ANGLE PROJECTION	<p>SCALE 1:2 SHEET 1 OF 3</p>	

THIS DRAWING AND THE INFORMATION CONTAINED WITHIN IT ARE CONFIDENTIAL AND MAY NOT BE COPIED OR DISCLOSED WITHOUT THE WRITTEN PERMISSION OF LITTELFUSE.



△B

△B

△D

△D

ITEM NO.	DESCRIPTION	MATERIAL	QTY. 07985001ZXS 32V BULK	QTY. 07985002ZXS 70V BULK △B	QTY. 07985003ZXS 32V AFTERMARKET	QTY. 0798004ZXS 70V AFTERMARKET
1	MDB5 32V BASE	PA66 GF30	1	-	1	-
	MDB5 70V BASE	PA66 GF30	-	1	-	1
2	MDB5 COVER	PA66 GF30	1	1	1	1
3	MDB5 COVER SEAL	SILICONE RUBBER	1	1	1	1
4	MDB5 SEAL KIT	SILICONE RUBBER	0	0	1	1
5	MDB5 32V HARDWARE KIT	STAINLESS STEEL	1	0	1	0
	MDB5 70V HARDWARE KIT	STAINLESS STEEL	0	1	0	1
6	GORE VENT	PTFE	1	1	1	1
7	LATCH, BIG GRIP	POM	4	4	4	4
8	TETHER-PDM	SILICONE	1	1	1	1
9	LABEL THERMAL 0.94" X 0.7" METALLIC	POLYESTER	1	1	1	1

INTERPRET DRAWING TO ANSI/ASME Y14.5-1994.

●	FIT/ FUNCTION CRITICAL CHARACTERISTICS SYMBOL
<S>	SAFETY/ COMPLIANCE CRITICAL CHARACTERISTICS SYMBOL
CPK	DENOTES CPK DIMENSIONS MINIMUM CPK VALUE
△ST	DENOTES A CHARACTERISTIC THAT PROVIDES AN INDICATION OF PROCESS PERFORMANCE PROCEDURE FOR MEASUREMENT AND TRACKING TO BE DEFINED IN LITTELFUSE INSPECTION INSTRUCTIONS
CP	DENOTES CP DIMENSIONS, -MINIMUM CP VALUE MUST BE WITHIN THE DIMENSIONAL LIMITATIONS SHOWN ON DRAWING AND INITIALLY LOCATED TO ALLOW FOR MAXIMUM TOOL LIFE

DIMENSION: MM TOLERANCES UNLESS OTHERWISE SPECIFIED
 ONE PLACE DECIMAL ± 0.5 THREE PLACES DECIMAL ± 0.100
 TWO PLACES DECIMAL ± 0.20 ANGULAR ± 2°

	NAME	DATE
DRAWN	L.VOGL	5/28/2018
CHECKED	-	-
	-	-
	-	-

Littelfuse
 Expertise Applied | Answers Delivered

FORM NO: CVP-PE40-0004 REV A
 THIRD ANGLE PROJECTION

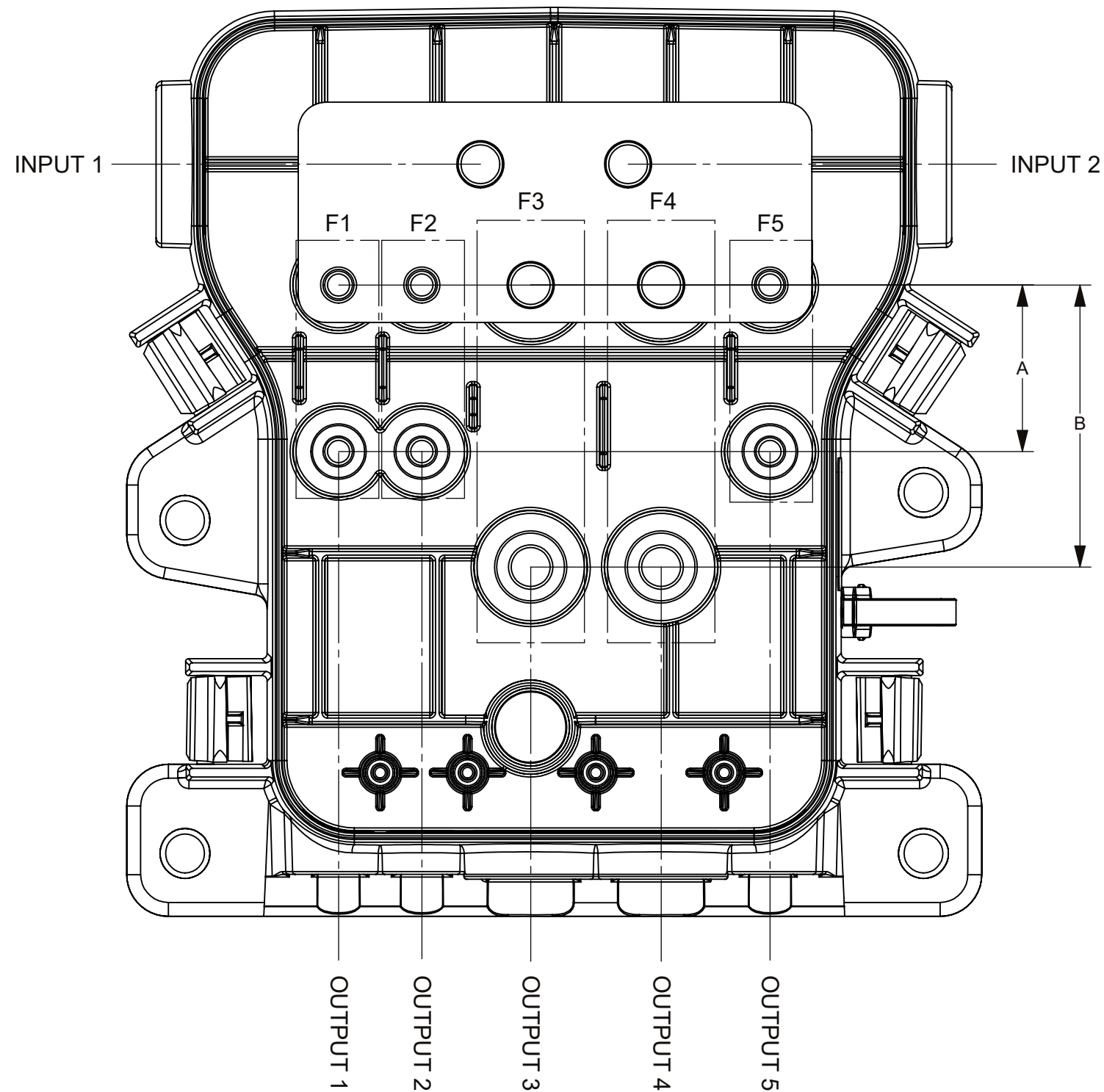
TITLE
 MDB5 WAY
 POWER DISTRIBUTION MODULE

SIZE B	DWG. NO. OL-07985000ZXS, CHART	REV. D
-----------	-----------------------------------	-----------

DO NOT SCALE DRAWING SCALE 1:2 SHEET 2 OF 3

THIS DRAWING AND THE INFORMATION CONTAINED WITHIN IT ARE CONFIDENTIAL AND MAY NOT BE COPIED OR DISCLOSED WITHOUT THE WRITTEN PERMISSION OF LITTELFUSE.

CABLE SEAL KIT, 890010830, ONLY INCLUDED IN 079085003ZXS AND 07985004ZXS ASSEMBLIES



CABLE SEAL OPTIONS FOR OPENINGS

LOCATION	PART NAME	PART NUMBER	CABLE SIZE (ISO6722) ^A / _B	QTY IN CABLE SEAL KIT (89010830)
INPUT CABLE SEAL	#50 CABLE SEALS	868-958	50mm ²	2
	BLANK 26.5 OD CABLE SEAL	901-532	NONE	1
LARGE OUTPUT CABLE SEAL	#16/2 CABLE SEAL	868-955	16mm ²	0
	#25 CABLE SEALS	868-956	25mm ²	0
	OUTPUT 3, OUTPUT 4	#35 CABLE SEALS	868-957	35mm ²
BLANK_2 SEALS		868-954	NONE	1
SMALL OUTPUT CABLE SEAL	CABLE SEAL 10-16mm ²	0HBFA001SEALB	10-16mm ²	3
	CABLE SEAL 6-10mm ²	0HBFA001SEALY	6-10mm ²	0
	CABLE SEAL BLIND	0HBFA001SEALC	NONE	2

FUSE LOCATIONS ^B

LOCATION	APPLICABLE FUSE 32V	APPLICABLE FUSE 70V
F1	MIDI FUSE (ISO8820 SF30)	MIDI FUSE (ISO20934 SF36-70V)
F2	MIDI FUSE (ISO8820 SF30)	MIDI FUSE (ISO20934 SF36-70V)
F3	MEGA FUSE (ISO8820 SF51)	MEGA FUSE (ISO20934 SF56-70V)
F4	MEGA FUSE (ISO8820 SF51)	MEGA FUSE (ISO20934 SF56-70V)
F5	MIDI FUSE (ISO8820 SF30)	MIDI FUSE (ISO20934 SF36-70V)

	32V	70V ^B
ASSEMBLY	07985001ZXS 07985003ZXS	07985002ZXS 07985004ZXS
DIM A	30mm	36mm
DIM B	50.8mm	56mm

INTERPRET DRAWING TO ANSI/ASME Y14.5-1994.

●	FIT/ FUNCTION CRITICAL CHARACTERISTICS SYMBOL
<S>	SAFETY/ COMPLIANCE CRITICAL CHARACTERISTICS SYMBOL
CPK	DENOTES CPK DIMENSIONS MINIMUM CPK VALUE
ST	DENOTES A CHARACTERISTIC THAT PROVIDES AN INDICATION OF PROCESS PERFORMANCE PROCEDURE FOR MEASUREMENT AND TRACKING TO BE DEFINED IN LITTELFUSE INSPECTION INSTRUCTIONS
CP	DENOTES CP DIMENSIONS, -MINIMUM CP VALUE MUST BE WITHIN THE DIMENSIONAL LIMITATIONS SHOWN ON DRAWING AND INITIALLY LOCATED TO ALLOW FOR MAXIMUM TOOL LIFE

DIMENSION: MM TOLERANCES UNLESS OTHERWISE SPECIFIED
 ONE PLACE DECIMAL ± 0.5 THREE PLACES DECIMAL ± 0.100
 TWO PLACES DECIMAL ± 0.20 ANGULAR ± 2°

	NAME	DATE
DRAWN	L.VOGL	5/30/2018
CHECKED	-	-
	-	-
	-	-



Expertise Applied | Answers Delivered

FORM NO: CVP-PE40-0004 REV A

THIRD ANGLE PROJECTION

TITLE
**MDB5 WAY
 POWER DISTRIBUTION MODULE**



SIZE	DWG. NO.	REV.
B	OL-07985000ZXS, CHART	D

DO NOT SCALE DRAWING

SCALE 1:1 SHEET 3 OF 3