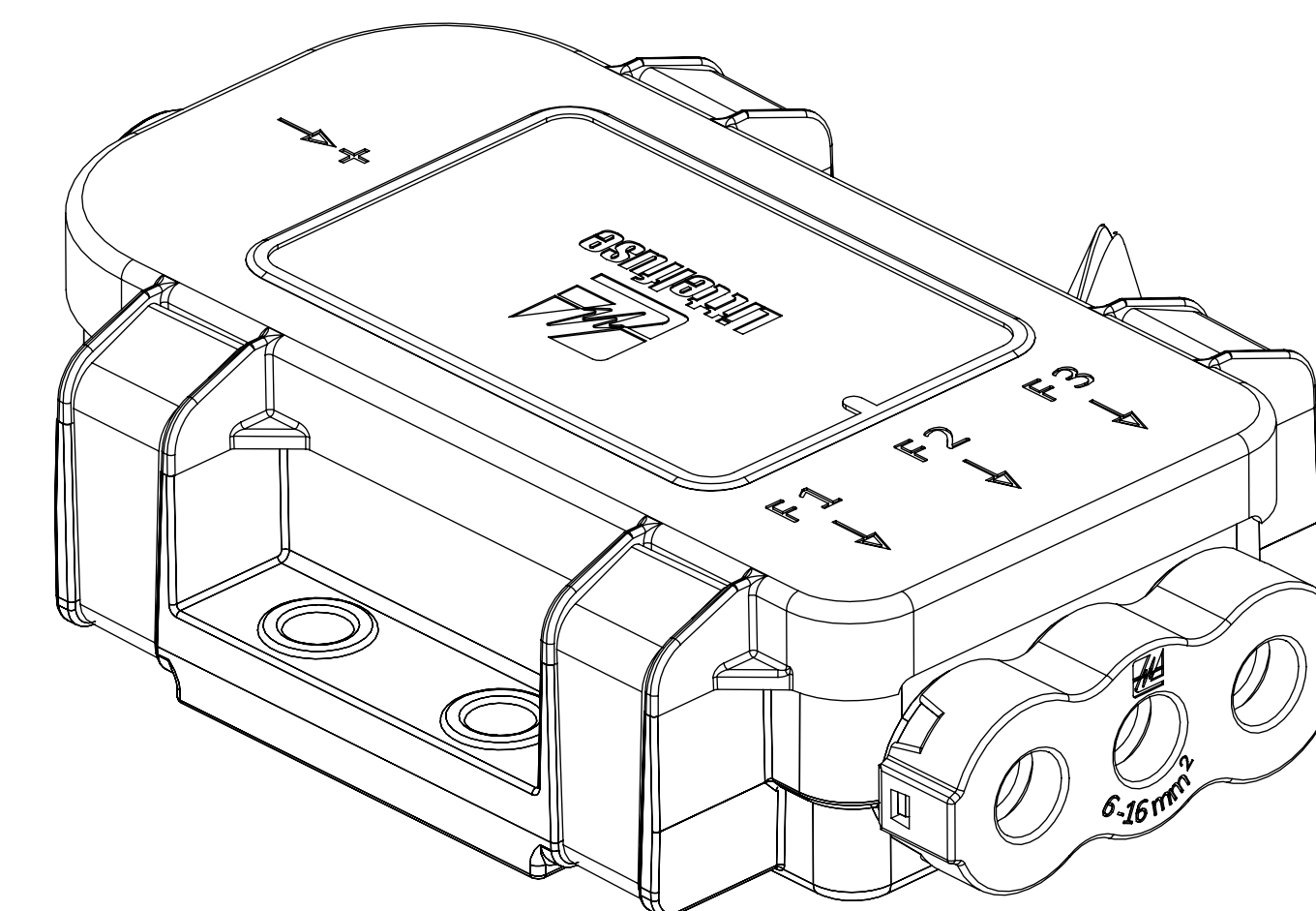
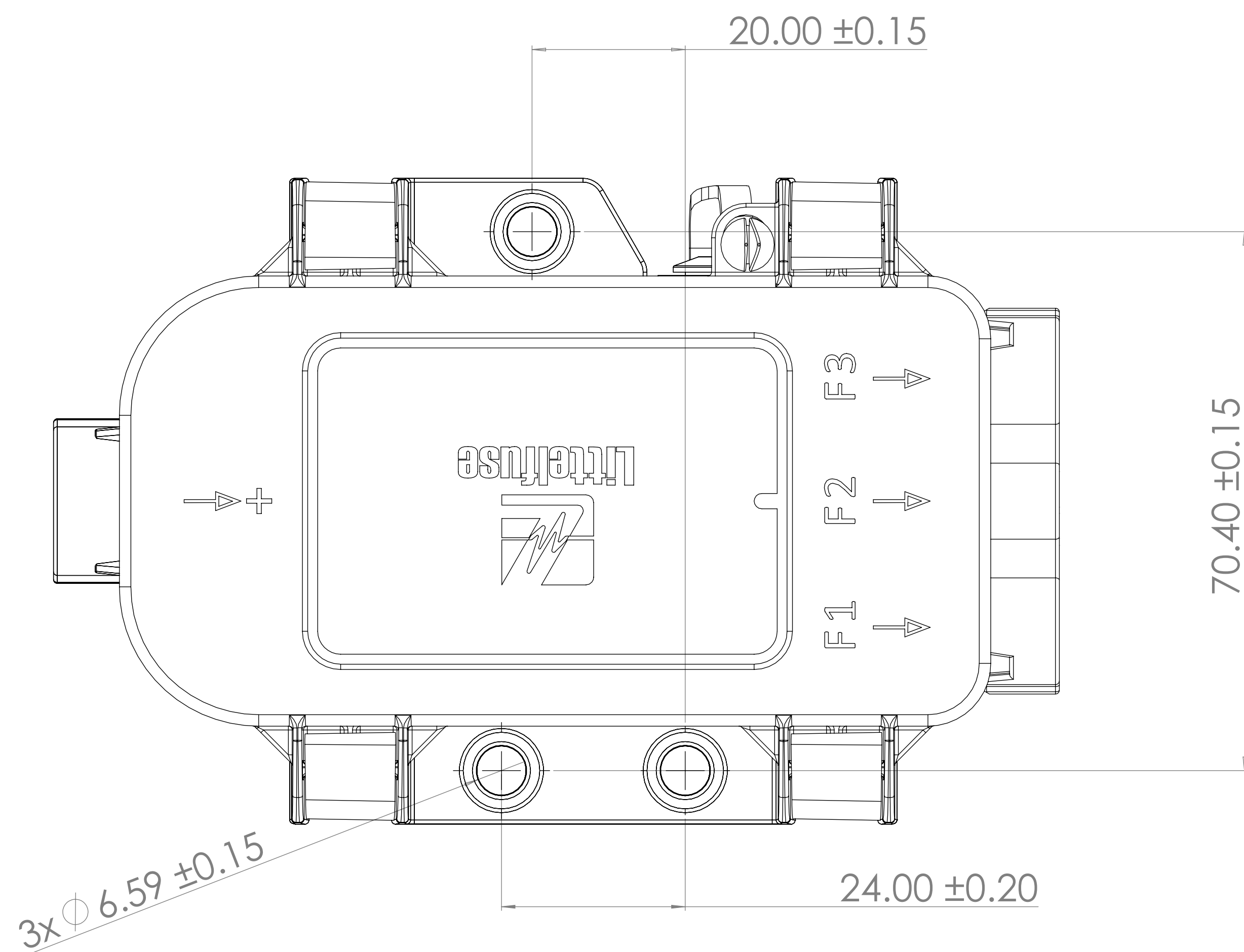
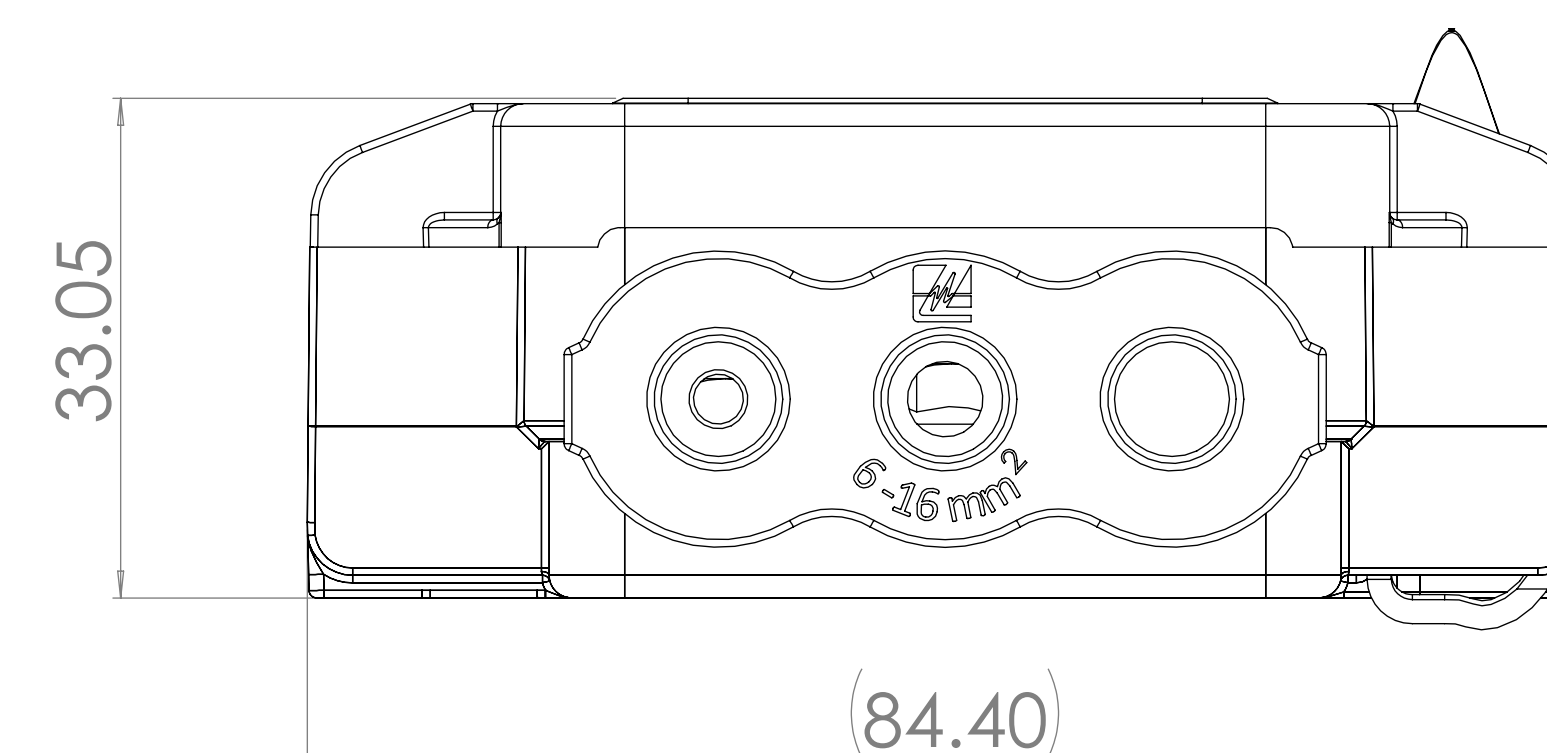
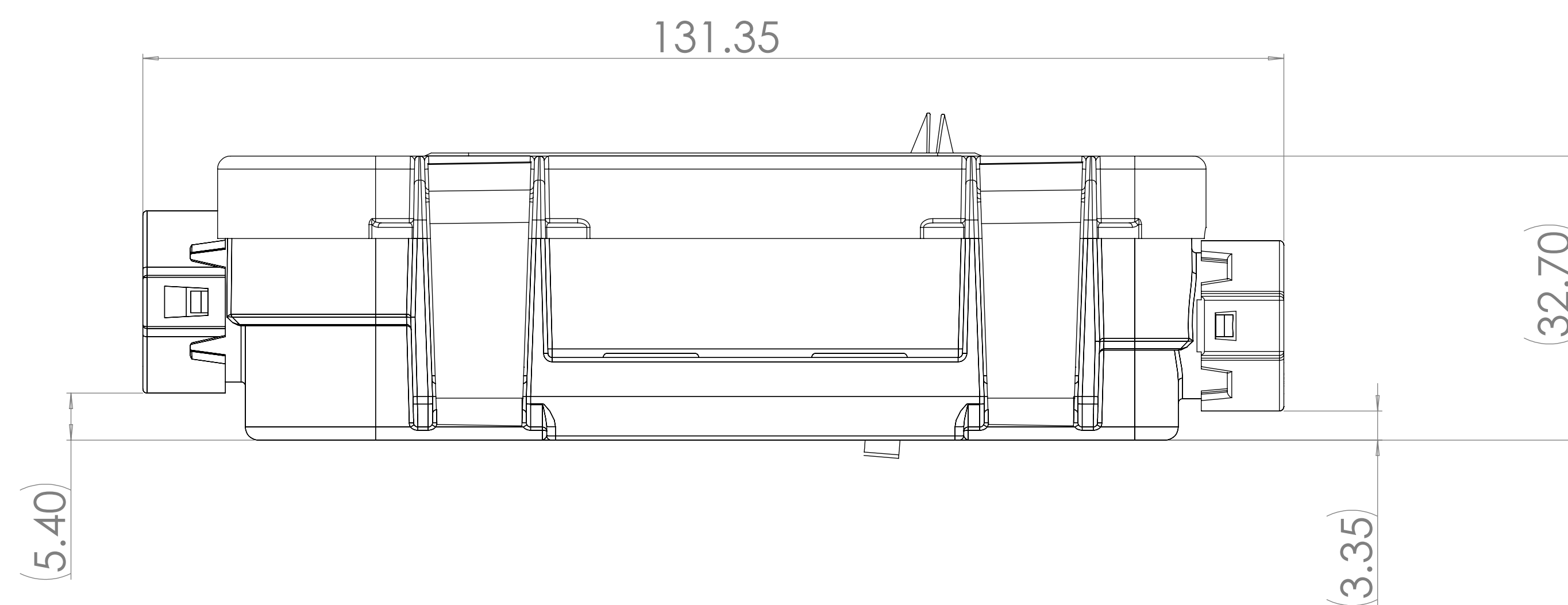


LTR	DATE	REVISION	CHK	APD
A	3/19/15	ERN# 511514 CAD INITIAL ALPHA RELEASE	SYU	



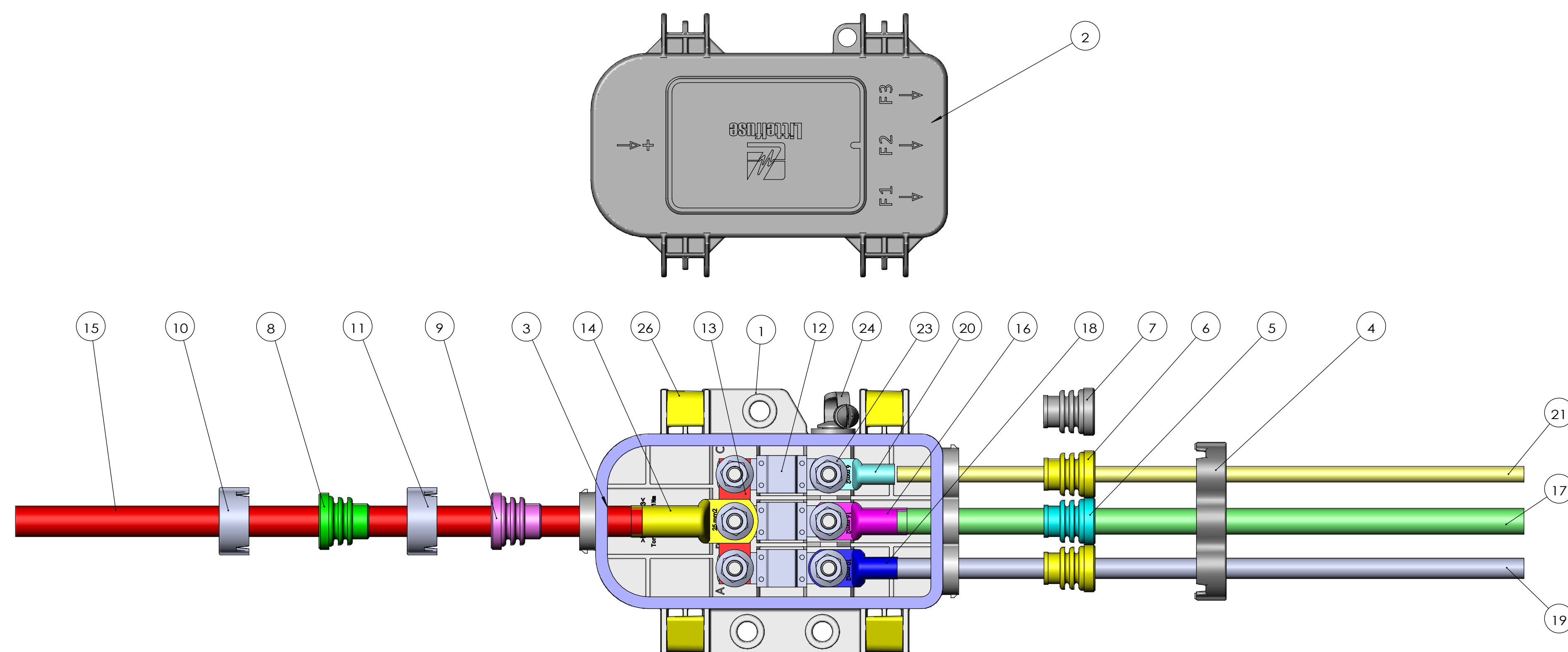
Product Specification	
Operating Voltage (20 ° C Ambient Temp)	+6 to +58 VDC
Maximum Total Current	200 A
Storage Temperature Range	-55°C to +125°C
Ambient External Air Operating Temperature (0 m/s Air Flow)	-40°C to +120°C
Maximum Physical Dimensions	131x 68x 38 mm
Applicable Validation Standards	ISO 16750-3, J1455,
Estimated Weight (no Fuses)	0.2 kg
Flammability	UL94-V0
Water Ingress	IP67,IP69K
Mounting Hole Torque	7.0 ± 1.0 N



NO	COMPONENT NO	DESCRIPTION	QTY/M	U/M
BILL OF MATERIAL				
UNLESS OTHERWISE SPECIFIED, DIMENSIONS ARE IN MILLIMETERS. DIMENSIONS IN BRACKETS [] ARE INCHES				
UNLESS OTHERWISE SPECIFIED, DIMENSIONS DO NOT INCLUDE PLATING.				
⊙	DENOTES CRITICAL CHARACTERISTICS.			
C/CPK	DENOTES CPK DIMENSIONS, -MINIMUM CPK VALUE			
<S>	DENOTES A CHARACTERISTIC THAT PROVIDES AN INDICATION OF PROCESS PERFORMANCE. PROCEDURE FOR MEASUREMENT AND TRACKING TO BE DEFINED IN LITTELFUSE INSPECTION INSTRUCTIONS			
CP	DENOTES CP DIMENSIONS, -MINIMUM CP VALUE MUST BE WITHIN THE DIMENSIONAL LIMITATIONS SHOWN ON DRAWING AND INITIALLY LOCATED TO ALLOW FOR MAXIMUM TOOL LIFE			
MATERIAL SPECIFICATION				
COPIES TO		COMPOSITE		
1	9	18		
2	10	19	FINISH	
3	12	20		
4	13	21	DRW	SYU
5	14	23	DATE	3/19/15
6	15	33	SCALE	1:1
7	16	43	CHK	DATE
8	17	53	APPD	DATE
			FINISH	GOOD WT
				GRAMS/PIECE
TOLERANCES UNLESS OTHERWISE SPECIFIED (REF. ISO 2768-mK)				
DIMENSION	0.5	3	6	30
TOLERANCE	+0.1	+0.1	+0.2	+0.3
3RD ANGLE PROJECTION	TITLE			
NEW 2_3 WAY MIDI FUSE BOX				
METRIC ASSEMBLY		Littelfuse		
SUZHOU CHINA		REVISION		
Expertise Applied Answers Delivered		DRWG.NO.(PART.NO.)		
		OL-04980933ZXT / 04980932ZXT		

METRIC ASSEMBLY

LTR	DATE	REVISION	CHK	APD
A	3/19/15	ERN# 511514 CAD INITIAL ALPHA RELEASE	SYU	



ITEM NO.	PartNo	DESCRIPTION	QTY.
1	OHBFA001BASE3	3 WAY HOUSING	1
2	OHBFA001COVER	2_3 WAY LID	1
3	OHBFA001SEALW	2_3 WAY SEAL	1
4	OHBFA001CAPB	BACK CAP, 6-16 mm Sq	1
5	OHBFA001SEALB	Cable seal 10-16 mm2 (BLUE)	1
6	OHBFA001SEALY	Cable seal 6-10 mm2 (YELLOW)	2
7	OHBFA001SEALC	Cable seal blind (GREY)	1
8	OHBFO003ZXS25-GN	INPUT CABLE SEAL 25MM2 (GREEN)	1
9	OHBFO003ZXS16-PK	Cable Seal 16 mm2 input (PINK)	1
10	OHBFO003ZXCAP25	Cap Front input,25 mm2	1
11	OHBFO003ZXCAP16	Cap Front input,16mm2	1
12		3 Midi Fuse	1
13	OHBFO001ZX3BBAR	3 WAY BUS BAR	1
14	Customer Provided	25 square mm cable ring terminal	1
15	Customer Provided	25 square mm cable	1
16	Customer Provided	16 square mm cable ring terminal	1
17	Customer Provided	16 square mm cable	1
18	Customer Provided	10 square mm cable ring terminal	1
19	Customer Provided	10 square mm cable	1
20	Customer Provided	6 square mm cable ring terminal	1
21	Customer Provided	6 square mm cable	1
23	890008800	FLANGE LOCKING NUT- M5 X 0.8 CLASS 8.0 PER DIN EN ISO 2320	6
24	873-680	Tether black	1
25	OHBFA001SCREW	2_3 WAY SCREW	4
26	OHBFA001CLIP	2_3 WAY LATCH	4

Cable Size	Input cable cap	Input cable seal	Others
25 mm2 cable	10	8	
16 mm2 cable	11	9	

Cable Size	Output cable seal	Output cable cap	Others
16 mm2 cable	5	4	
10 mm2 cable	6		
6 mm2 cable	6		
None	7		One hole blocked in 2 way housing

ASSEMBLY PN	DESCRIPTION	COVER	HOUSING	BUS BAR	Tether	Latch	Cover Seal	M3 Screw	M5 Nut
04980933ZXT	3 WAY FH	OHBFA001COVER	OHBFA001BASE3	OHBFO001ZX3BBAR	873-680	OHBFA001CLIP	OHBFA001SEALW	OHBFA001SCREW	890008800
04980932ZXT	2 WAY FH		OHBFA002BASE2	OHBFO002ZX2BBAR					

NOTES:

1. PURCHASE THE CORRECT Caps and cable seal BASED ON THE CABLE SIZE WHICH YOU ARE USING FOR INPUTS AND OUTPUTS, See Table A and B.
2. PURCHASE THE CORRECT CURRENT RATING MIDI FUSE BASED ON ELECTRICAL LOAD REQUIREMENT.

NO	COMPONENT NO	DESCRIPTION	QTY/M	U/M	
BILL OF MATERIAL					
UNLESS OTHERWISE SPECIFIED, DIMENSIONS ARE IN MILLIMETERS. DIMENSIONS IN BRACKETS [] ARE INCHES					
UNLESS OTHERWISE SPECIFIED, DIMENSIONS DO NOT INCLUDE PLATING.					
⊙	DENOTES CRITICAL CHARACTERISTICS.				
C.P.K	DENOTES CPK DIMENSIONS, -MINIMUM CPK VALUE				
<S>	DENOTES A CHARACTERISTIC THAT PROVIDES AN INDICATION OF PROCESS PERFORMANCE. PROCEDURE FOR MEASUREMENT AND TRACKING TO BE DEFINED IN LITELFUSE INSPECTION INSTRUCTIONS				
C.P	DENOTES CP DIMENSIONS, -MINIMUM CP VALUE MUST BE WITHIN THE DIMENSIONAL LIMITATIONS SHOWN ON DRAWING AND INITIALLY LOCATED TO ALLOW FOR MAXIMUM TOOL LIFE				
COPIES TO MATL SPEC COMPOSITE					
1	9	18			
2	10	19	FINISH		
3	12	20			
4	13	21	DRW	DATE 3/19/15 SCALE 1:1	
5	14	23	CHK	DATE SUPER DR	
6	15	33	APPD	DATE FINSH GOOD WT	
7	16	43	APPD	DATE FINSH GOOD WT	
8	17	53		GRAMS/PIEC	
TOLERANCES UNLESS OTHERWISE SPECIFIED (REF. ISO 2768-mK)					
DIMENSION	0.5 - 3	3 - 6	6 - 30	30 - 120	120 - 400
TOLERANCE	+0.1	+0.1	+0.2	+0.3	+0.5
3RD ANGLE PROJECTION	TITLE				
NEW 2_3 WAY MIDI FUSE BOX					
METRIC ASSEMBLY		LitelFuse		REVISION	
		SUZHOU CHINA (0512) 5761-2189		DRWG.NO.(PART.NO.)	
		Expertes Applied Answers Delivered		OL-04980933ZXT / 04980932ZXT	

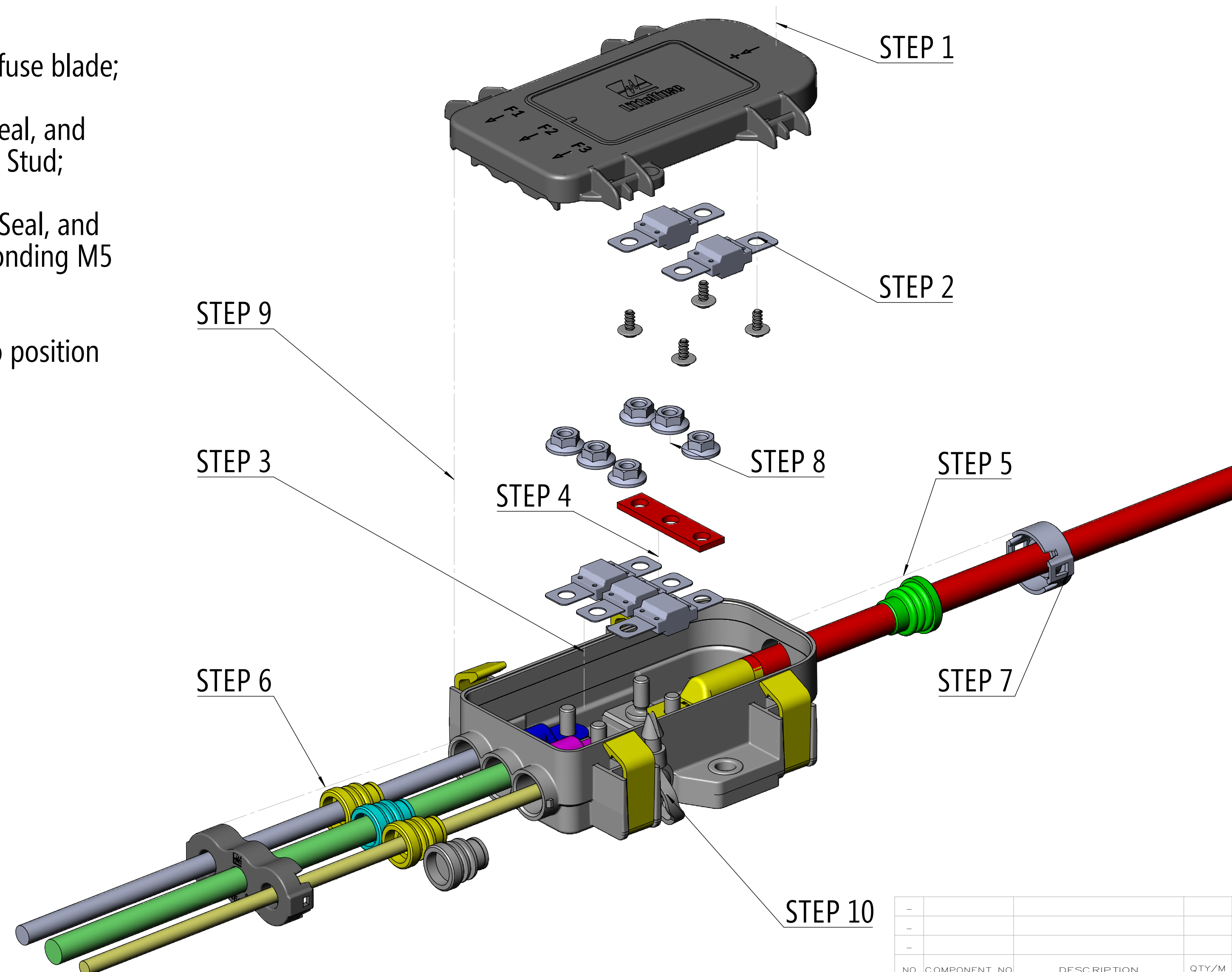


CAD GENERATED DRAWING - NO PENCIL CHANGES ALLOWED (rev A)

LTR	DATE	REVISION	CHK	APD
A	3/19/15	ERN# 511514 CAD INITIAL ALPHA RELEASE	SYU	

ASSEMBLY STEPS (For Customer assembly use only):

- STEP 1: Open the yellow Latches by hand or the use of a flat head screw driver, and remove Cover;
- STEP 2: Optional: Add spare MIDI fuses to the cover with provided self-tapping screws (Torque: 2-3 N-m);
- STEP 3: Install MIDI fuses onto the correct circuit M5 Studs, ensuring the fuse blade is seated to the bottom;
- STEP 4: Install the Bus Bar onto M5 Studs, ensure the Bus Bar is fully seated and in contact with the top face of MIDI fuse blade;
- STEP 5: Choose the correct Cable Seal and Cap based on cable size. Install input cable through front Cap and Cable Seal, and then connect ring terminal. Slide the input cable assembly through Housing, placing the ring terminal onto the M5 Stud;
- STEP 6: Choose the correct Cable Seal and Cap based on cable size. Install output cable through back Cap and Cable Seal, and then connect ring terminal. Slide the output cable assembly through Housing, placing the ring terminal onto corresponding M5 Stud. Repeat for each output cable;
- STEP 7: Press the input and output Cable Seals into the Housing. Secure by snapping the front Cap and back Cap into position with the Housing;
- STEP 8: Install M5 self-locking flange nuts onto each M5 Stud and ring terminal (Torque: 5 N-m);
- STEP 9: Assemble the Cover (Seal seated by Latches) with Housing;
- STEP 10: Close the yellow Latches by hand, snapping them over the Cover.



NO	COMPONENT NO	DESCRIPTION	QTY/M	U/M
BILL OF MATERIAL				
UNLESS OTHERWISE SPECIFIED, DIMENSIONS ARE IN MILLIMETERS. DIMENSIONS IN BRACKETS [] ARE INCHES				
UNLESS OTHERWISE SPECIFIED, DIMENSIONS DO NOT INCLUDE PLATING.				
⊙	DENOTES CRITICAL CHARACTERISTICS.			
C.PK	DENOTES CPK DIMENSIONS, -MINIMUM CPK VALUE			
<S>	DENOTES A CHARACTERISTIC THAT PROVIDES AN INDICATION OF PROCESS PERFORMANCE. PROCEDURE FOR MEASUREMENT AND TRACKING TO BE DEFINED IN LITTELFUSE INSPECTION INSTRUCTIONS			
CP	DENOTES CP DIMENSIONS, -MINIMUM CP VALUE MUST BE WITHIN THE DIMENSIONAL LIMITATIONS SHOWN ON DRAWING AND INITIALLY LOCATED TO ALLOW FOR MAXIMUM TOOL LIFE			
COPIES TO MATL SPEC COMPOSITE				
1	9	18		
2	10	19	FINISH	
3	12	20		
4	13	21	DRW	SYU
5	14	23	DATE	3/19/15
6	15	33	CHK	DATE
7	16	43	APPD	DATE
8	17	53		FINSH GOOD WT
GRAMS/PIEC				
TOLERANCES UNLESS OTHERWISE SPECIFIED (REF. ISO 2768-mK)				
DIMENSION	0.5 - 3	3 - 6	6 - 30	30 - 120
TOLERANCE	+0.1	+0.1	+0.2	+0.3
3RD ANGLE PROJECTION				
TITLE				
NEW 2_3 WAY MIDI FUSE BOX				
METRIC ASSEMBLY		Littelfuse		REVISION
		SUZHOU CHINA (0012)		DRWG.NO.(PART.NO.)
		Expertise Applied Answers Delivered		OL-04980933ZXT / 04980932XT