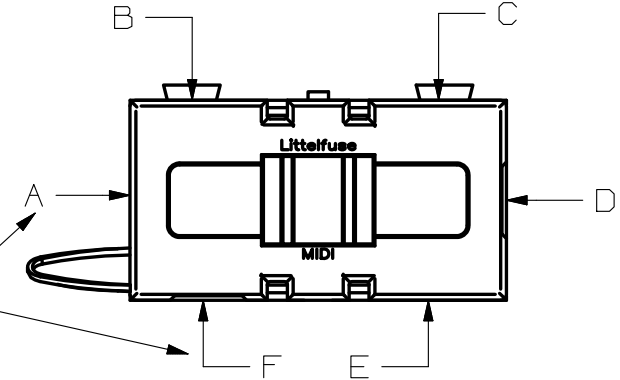
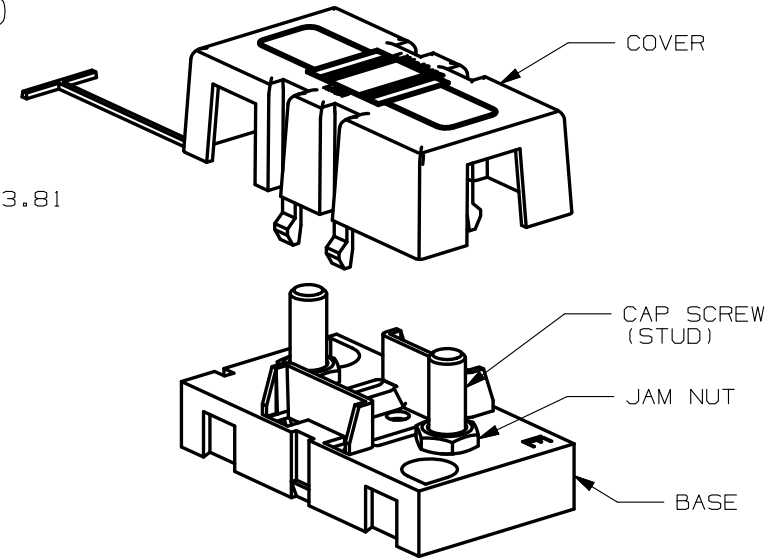
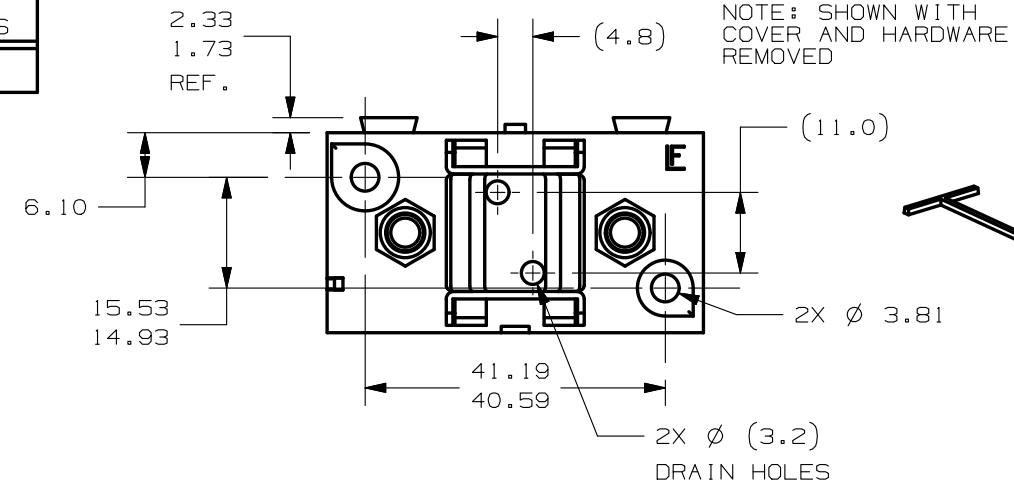
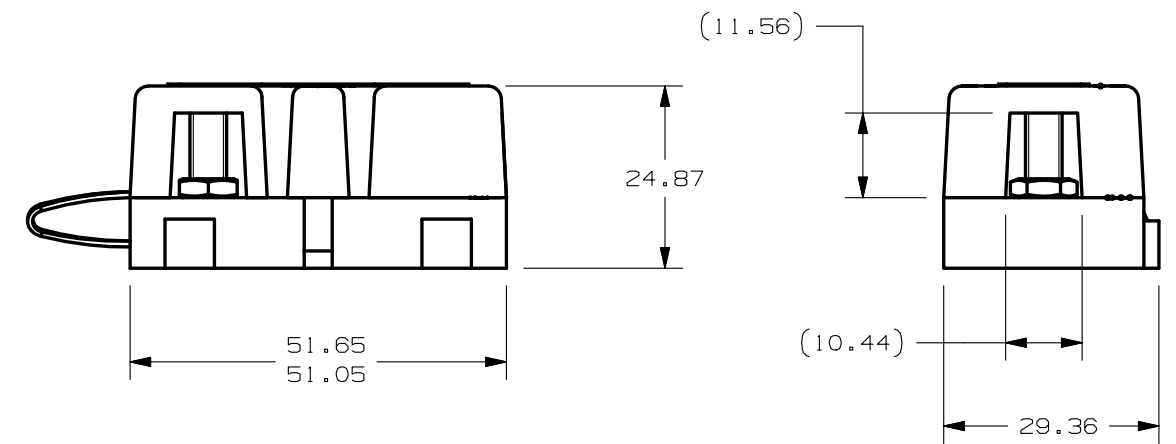


PART NUMBER	COVER OPENINGS
04980918ZXT	D F



LETTER DESIGNATIONS REFER TO POSITIONS OF AVAILABLE COVER OPENINGS. (SEE CHART)



NOTES:

- TAB OF COVER TIE IS INSERTED INTO HOLE IN BASE.
- TORQUE REQUIRED FOR JAM NUT TO BE 2.3 - 2.8 NEWTON METERS.
- MAX TORQUE ON TOP NUT (NOT SUPPLIED) TO BE 5.0 NEWTON METERS.
- HOLDER MEETS L/F VALIDATION SPECIFICATION VS-005004.
- CAP SCREWS AND NUTS - M5 X 0.8 STEEL, ZINC PLATED WITH TRIVALENT CHROMATE LEACHED AND SEALED, INTEGRAL TORQUE CONTROL LUBRICANT FINISH (MEETS 96 HR. ASTM STD. B-117 SALT SPRAY REQ.).

METRIC

NO	COMPONENT NO	DESCRIPTION	QTY/M	U/M
BILL OF MATERIAL				
MATERIAL SPEC				
FINISH				
DRW GMB DATE 11/09/09 SCALE 1:1				
CHK DATE SUPER DR				
APPD DATE FINISH GOOD WT				
GRAMS/PIECE				
TOLERANCES UNLESS OTHERWISE SPECIFIED (REF. ISO 2768-mK)				
DIMENSION 0.5 - 3 ±0.1 3 - 6 ±0.2 6 - 30 ±0.3 30 - 120 ±0.5 120 - 400 ±0.5				
TOLERANCE ±0.1 ±0.1 ±0.2 ±0.3 ±0.5				
3RD ANGLE PROJECTION				
TITLE MIDI FUSE HOLDER				
REVISION DRWG. NO. OL-04980918ZXT				
OUTLINE				
LITTELFUSE DES PLAINES, ILLINOIS 60016				
LTR	DATE	REVISION	CHK	APPD
A	11/09/09	000842ER-RELEASE	GMB	

UNLESS OTHERWISE SPECIFIED, DIMENSIONS ARE IN MILLIMETERS. DIMENSIONS IN BRACKETS [] ARE INCHES
UNLESS OTHERWISE SPECIFIED, DIMENSIONS DO NOT INCLUDE PLATING.
⊙ DENOTES CRITICAL CHARACTERISTICS.
CPK DENOTES CPK DIMENSIONS. -MINIMUM CPK VALUE
ST DENOTES A CHARACTERISTIC THAT PROVIDES AN INDICATION OF PROCESS PERFORMANCE. PROCEDURE FOR MEASUREMENT AND TRACKING TO BE DEFINED IN LITTELFUSE INSPECTION INSTRUCTIONS
CP DENOTES CP DIMENSIONS. -MINIMUM CP VALUE MUST BE WITHIN THE DIMENSIONAL LIMITATIONS SHOWN ON DRAWING AND INITIALLY LOCATED TO ALLOW FOR MAXIMUM TOOL LIFE