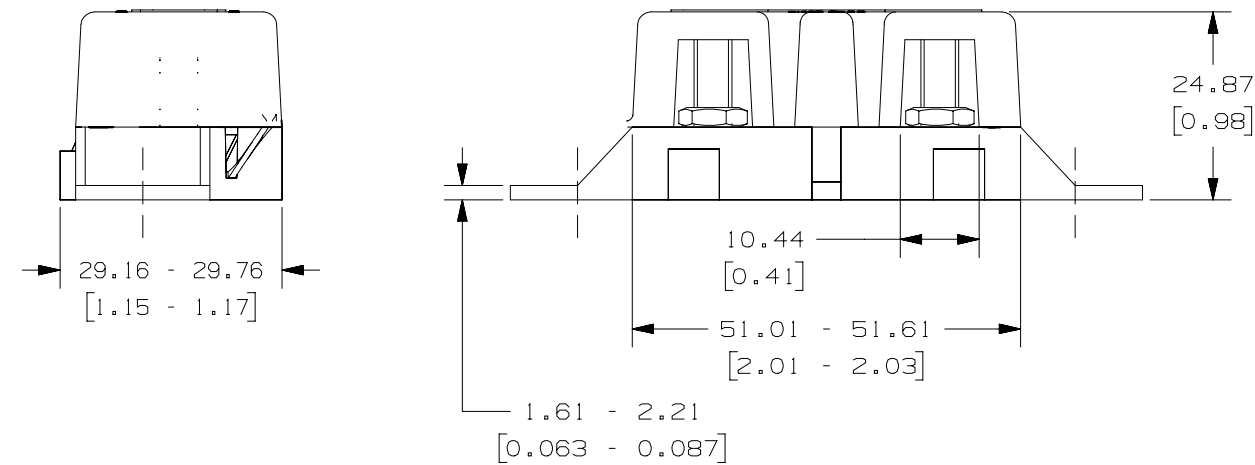
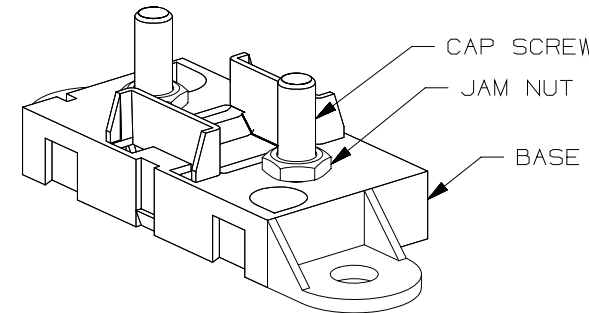
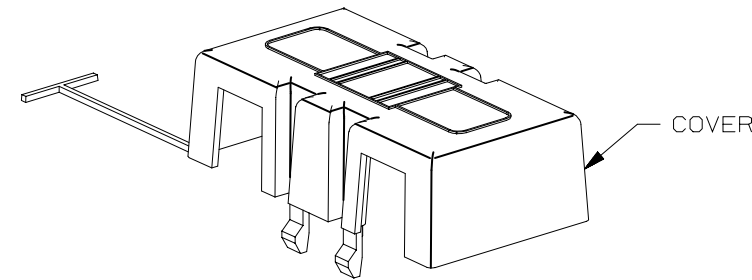
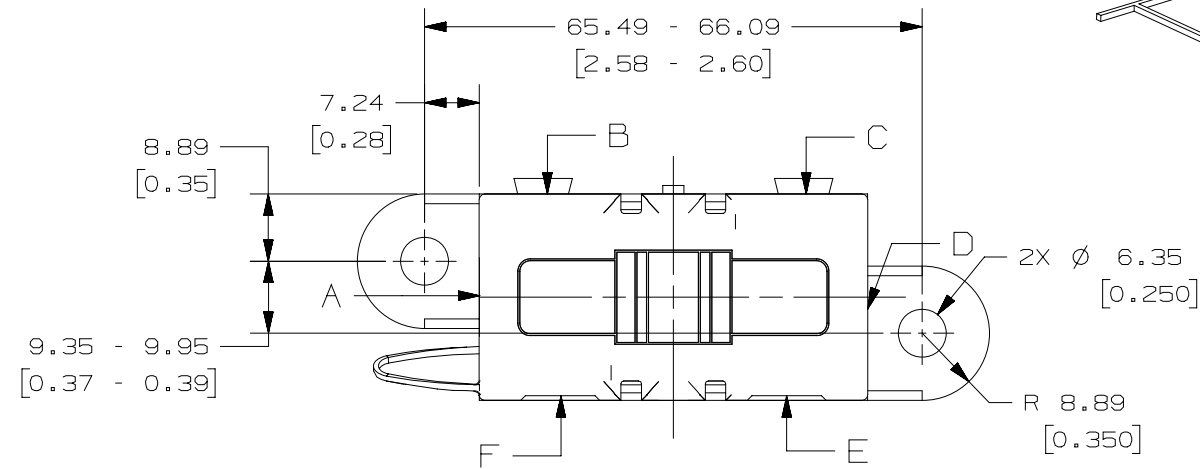


| PART NUMBER | COVER OPENING | DIMENSION "A" | FUSE | FUSE QTY/1000 | SPLIT WASHER | SPLIT WASHER QTY/1000 | HEX NUT | HEX NUT QTY/M | RACHET FASTENER | RACHET FASTENER QTY/1000 | STYLE | PART No RENAULT |
|-------------|---------------|---------------|------|---------------|--------------|-----------------------|---------|---------------|-----------------|--------------------------|-------|-----------------|
| 04980908ZXT | E F | 10.54 | NO | N/A | NO | N/A | NO | N/A | NO | N/A | 2 | 296712452R--- |



NOTES:

1. MATERIAL:
 - * BODY-GLASS FILLED THERMOPLASTIC: COLOR-BLACK
 - * COVER-THERMOPLASTIC: COLOR-BLACK
 - * HARDWARE-M5 THREADED STUDS & NUTS AND STEEL LOCKWASHER WITH ZINC AND TRIVALENT CHROMATE, LEACHED AND SEALED, INTEGRAL TORQUE CONTROL LUBRICANT FINISH. (MEETS ASTM STANDARD B-117, 96 HR. SALT SPRAY REQUIREMENT).
2. TORQUE REQUIRED FOR MIDI FUSE TERMINAL & CONNECTOR LOCKING NUTS TO BE 4.0-5.0 NEWTON METERS [35-44 IN-LBS]
3. HOLDER MEETS L/F VALIDATION TEST SPEC. VS-005004.
4. PLANT IS ISO 14001 AND ISO TS 16949 CERTIFIED.
5. FUSE IS RoHS COMPLIANT.
6. IMDS AVAILABLE.

METRIC
ASSEMBLY

UNLESS OTHERWISE SPECIFIED, DIMENSIONS ARE IN MILLIMETERS. DIMENSIONS IN BRACKETS [] ARE INCHES

UNLESS OTHERWISE SPECIFIED, DIMENSIONS DO NOT INCLUDE PLATING.

© DENOTES CRITICAL CHARACTERISTICS.

CPK DENOTES CPK DIMENSIONS, -MINIMUM CPK VALUE

ST DENOTES A CHARACTERISTIC THAT PROVIDES AN INDICATION OF PROCESS PERFORMANCE. PROCEDURE FOR MEASUREMENT AND TRACKING TO BE DEFINED IN LITTELFUSE INSPECTION INSTRUCTIONS

CP DENOTES CP DIMENSIONS, -MINIMUM CP VALUE MUST BE WITHIN THE DIMENSIONAL LIMITATIONS SHOWN ON DRAWING AND INITIALLY LOCATED TO ALLOW FOR MAXIMUM TOOL LIFE

| BILL OF MATERIAL | | NO | COMPONENT NO | DESCRIPTION | QTY/M | U/M |
|------------------|--|----|--------------|-------------|-------|-----|
| | | | | | | |

| | | |
|--|---------------|-------------------|
| MATL SPEC | | |
| FINISH | | |
| DRW OPL | DATE | SCALE |
| CHK | DATE | SUPER DR |
| APPD | DATE | FINISH GOOD WT |
| GRAMS/PIECE | | |
| TOLERANCES UNLESS OTHERWISE SPECIFIED (REF. ISO 2768-mk) | | |
| DIMENSION | UP TO 0.5 - 3 | OVER UP TO 6 - 30 |
| TOLERANCE | ±0.1 | ±0.2 |
| 3RD ANGLE PROJECTION | | |

| LTR | DATE | REVISION | CHK | APD |
|-----|----------|------------------------|-----|-----|
| A | 03/07/11 | 501797ERA-RELEASE | OPL | |
| B | 08/31/11 | 504244ECA-1N NOTES ADD | OPL | |

| | | | | | | | | |
|-----------|----|----|----|----|----|----|----|----|
| COPIES TO | 1 | 2 | 3 | 4 | 5 | 6 | 7 | 8 |
| | 9 | 10 | 12 | 13 | 14 | 15 | 16 | 17 |
| | 18 | 19 | 20 | 21 | 23 | 33 | 43 | 53 |

| | | | |
|----------|--|-----------------|--|
| TITLE | | MIDIFUSE HOLDER | |
| REVISION | | DRWG. NO. | |
| B | | 04980908ZXTRN | |
| OUTLINE | | | |

| | | | |
|------------|--|---------------------------|--|
| LITTELFUSE | | CHICAGO, USA 773-628-1000 | |
|------------|--|---------------------------|--|