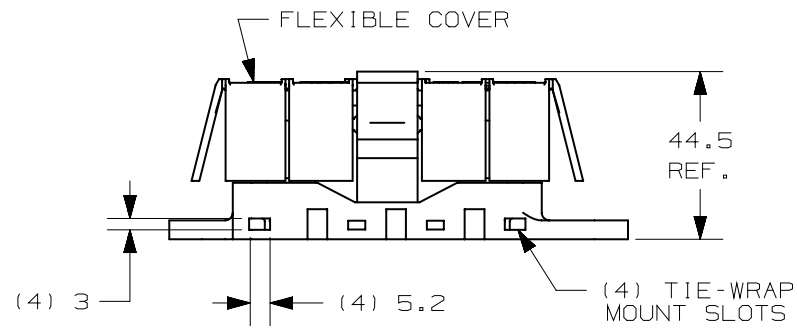
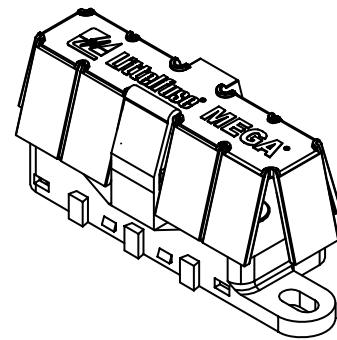
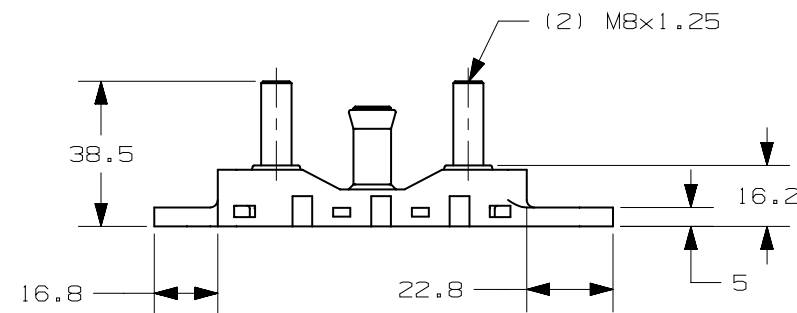
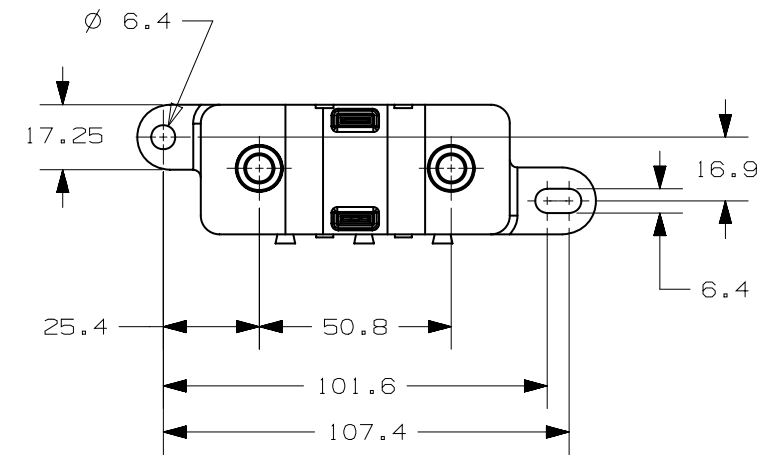


DOVETAIL FEATURES USED TO INTERLOCK MULTIPLE HOLDERS



- NOTES:
- 1) BASE: UL94V-0 GLASS-FILLED PPA  
M8 STUDS: ZINC-PLATED STEEL  
COVER: UL94V-0 ELASTOMER
  - 2) MAX FUSE RATING: 500A
  - 3) M8 STUD TORQUE: 12-18Nm  
MOUNTING TORQUE (W/M6 BOLTS & WASHERS): 5Nm
  - 4) TEMPERATURE RATING: -40°C TO 125°C
  - 5) WIRE SIZE: 8mm<sup>2</sup> TO 30mm<sup>2</sup>



METRIC

NO	COMPONENT NO	DESCRIPTION	QTY/M	U/M
BILL OF MATERIAL				
		UNLESS OTHERWISE SPECIFIED, DIMENSIONS ARE IN MILLIMETERS. DIMENSIONS IN BRACKETS [ ] ARE INCHES		
		UNLESS OTHERWISE SPECIFIED, DIMENSIONS DO NOT INCLUDE PLATING.		
◎		DENOTES CRITICAL CHARACTERISTICS.		
CPK		DENOTES CPK DIMENSIONS, -MINIMUM CPK VALUE		
ST		DENOTES A CHARACTERISTIC THAT PROVIDES AN INDICATION OF PROCESS PERFORMANCE. PROCEDURE FOR MEASUREMENT AND TRACKING TO BE DEFINED IN LITTELFUSE INSPECTION INSTRUCTIONS		
CP		DENOTES CP DIMENSIONS, -MINIMUM CP VALUE MUST BE WITHIN THE DIMENSIONAL LIMITATIONS SHOWN ON DRAWING AND INITIALLY LOCATED TO ALLOW FOR MAXIMUM TOOL LIFE		

COPIES TO		MTRL SPEC		FINISH		SCALE		DATE		DATE		DATE		GRAMS/PIECE			
1	9	18		N/A		1:2		10/27/11									
2	10	19															
3	12	20															
4	13	21															
5	14	23															
6	15	33															
7	16	43															
8	17	53															
TOLERANCES UNLESS OTHERWISE SPECIFIED (REF. ISO 2768-mK)																	
DIMENSION		0.5	UP TO 3	3	UP TO 6	6	UP TO 30	30	UP TO 120	120	UP TO 400						
TOLERANCE		±0.1		±0.1		±0.2		±0.3		±0.5							
3RD ANGLE PROJECTION																	
TITLE		FLEX-MEGA ASSY WITHOUT HARDWARE															
REVISION		B														DRWG. NO. OL-02981037HXFC-0	

LTR	DATE	REVISION	CHK	APD
A	10/27/11	503515ERA-RELEASED	OPL	
B	02/09/12	504268ECA-REMOVE LASER MARKING "SS", IN NOTE 1 REMOVE "SEE CHART" AND ADD ZINC-PLATED STEEL		

