

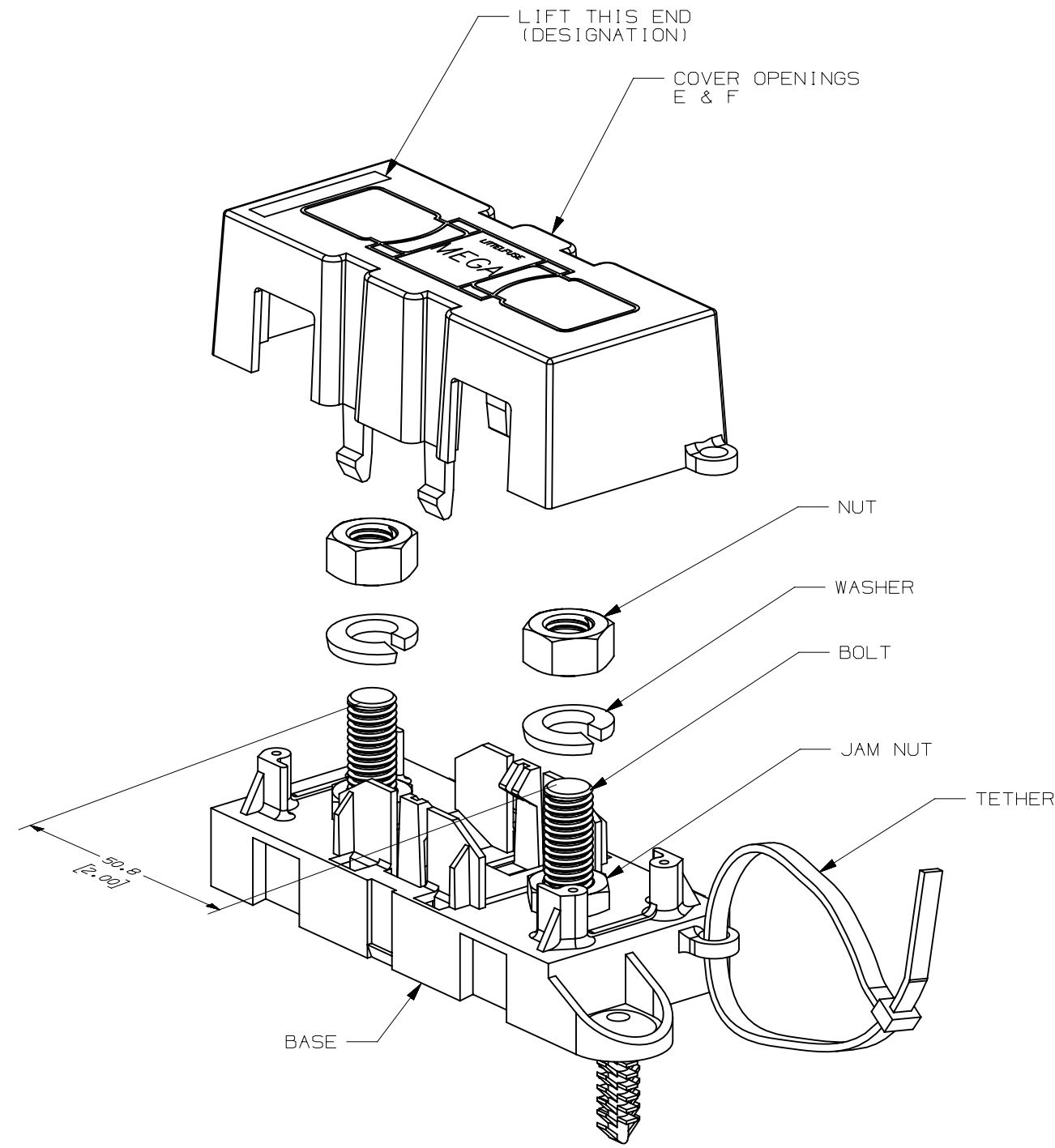
COVER OPENING POSITION

E F

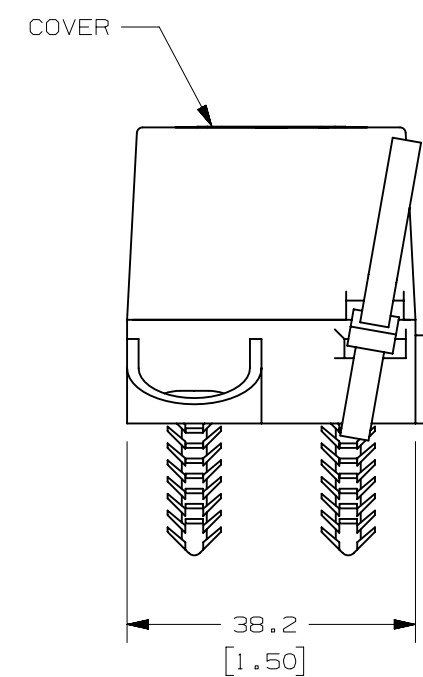
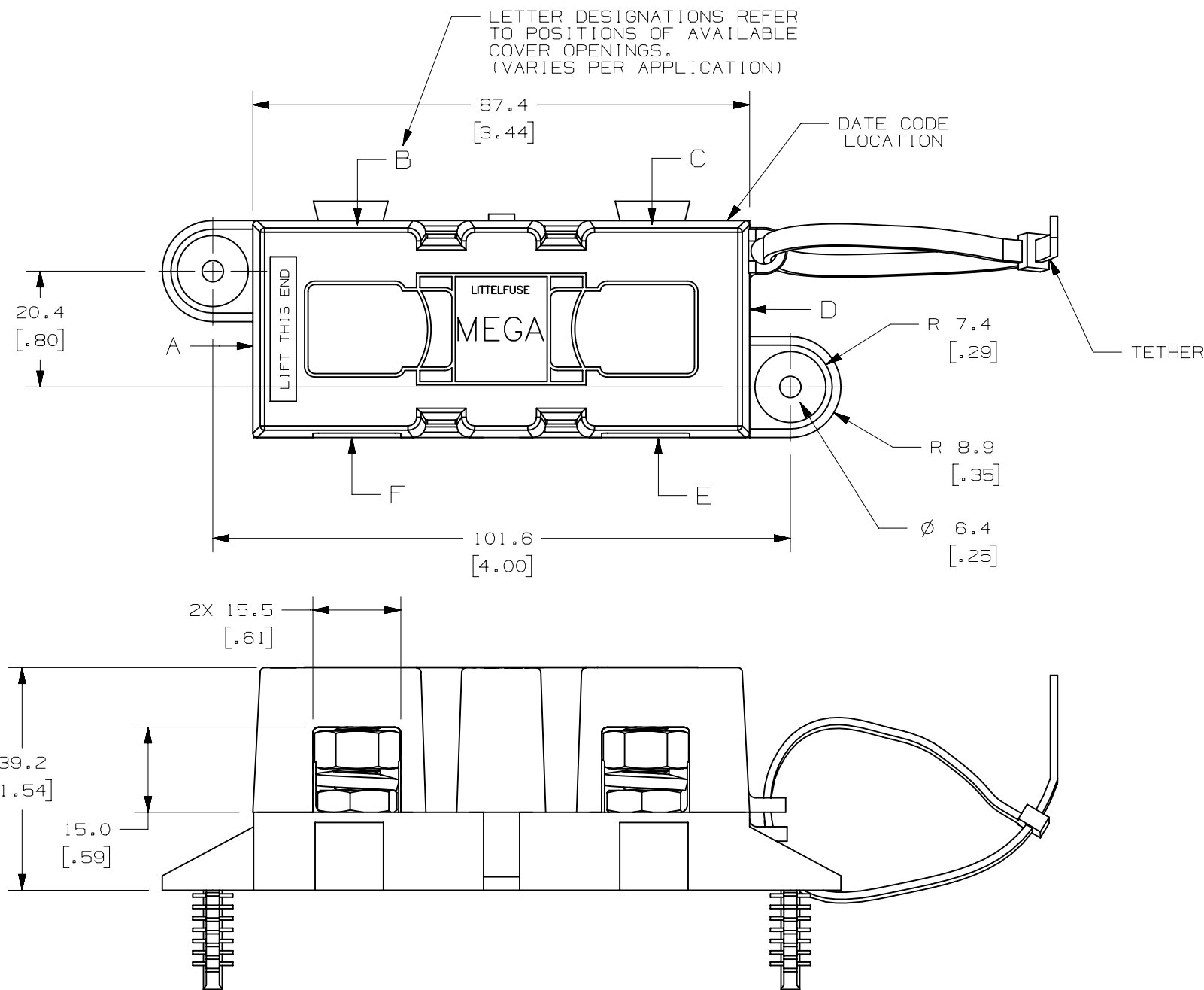
LTR	DATE	REVISION	CHK	APD
A	10/20/10	501003ERA-RELEASE	OPL	
B	12/27/10	501335ECA-REMOVE RATCHET FASTENER.	OPL	
C	12/APR/19	520661ECA-REMOVE NOTE 5	OPL	

GENERAL NOTES:

- COVER RETENTION TEST: MINIMUM FORCE OF 2 LBS. REQUIRED TO REMOVE COVER WHEN IT IS SUSPENDED UPSIDE DOWN. FORCE SHALL BE APPLIED THROUGH THE INNER HOLES (2) IN BASE. USE FIXTURE #T-C403 TO SUPPORT PART.
- TORQUE REQUIREMENTS FOR THE HEX NUT USED TO SECURE THE CUSTOMER RING TERMINAL TO THE MEGA FUSE TO BE: 8mm NUT - 12-18 NEWTON METERS (106-159 IN-LBS)
- HOLDER MEETS L/F VALIDATION TEST SPEC. VS-005002.
- MATERIALS:
  - \* BODY - GLASS FILLED THERMOPLASTIC  
COLOR - BLACK
  - \* COVER - THERMOPLASTIC  
COLOR - BLACK
  - \* WIRE TIE - THERMOPLASTIC  
COLOR - BLACK
  - \* STUDS & NUTS - M8 X 1.25 STEEL  
ZINC PLATE WITH TRIVALENT CHROMATE, LEACHED AND SEALED. INTEGRAL TORQUE CONTROL LUBRICANT FINISH. (MEETS 96 HR. ASTM STD. B-117 SALT SPRAY REQ.)



GENERAL HOLDER & FUSE CONSTRUCTION (REF. ONLY)



UNLESS OTHERWISE SPECIFIED, DIMENSIONS ARE IN MILLIMETERS. DIMENSIONS IN BRACKETS [ ] ARE INCHES			
UNLESS OTHERWISE SPECIFIED, DIMENSIONS DO NOT INCLUDE PLATING.			
⊙	DENOTES CRITICAL CHARACTERISTICS.		
CPK	DENOTES CPK DIMENSIONS, -MINIMUM CPK VALUE		
ST	DENOTES A CHARACTERISTIC THAT PROVIDES AN INDICATION OF PROCESS PERFORMANCE. PROCEDURE FOR MEASUREMENT AND TRACKING TO BE DEFINED IN LITTELFUSE INSPECTION INSTRUCTIONS		
CP	DENOTES CP DIMENSIONS, -MINIMUM CP VALUE MUST BE WITHIN THE DIMENSIONAL LIMITATIONS SHOWN ON DRAWING AND INITIALLY LOCATED TO ALLOW FOR MAXIMUM TOOL LIFE		
COPIES TO	MATL SPEC		
1 9 18	FINISH		
2 10 19	DRW	OPL	DATE 10/20/10
3 12 20	SCALE	1:1	
4 13 21	CHK	DATE	SUPER DR
5 14 23	APPD	DATE	FINSH GOOD WT
6 15 33			GRAMS/PIECE
7 16 43	TOLERANCE UNLESS OTHERWISE SPECIFIED		
8 17 53	ONE PLACE DEC	+/- .3	THREE PLACE DEC +/- .100
	TWO PLACE DEC	+/- .25	ANGULAR +/- 1°
3RD ANGLE PROJECTION	TITLE	MEGAFUSE HOLDER	
Littelfuse	REVISION	DRWG. NO.	OUTLINE
DES PLAINES, ILLINOIS 60016	C	02981034ZXT	

METRIC

CAD GENERATED DRAWING - NO PENCIL CHANGES ALLOWED