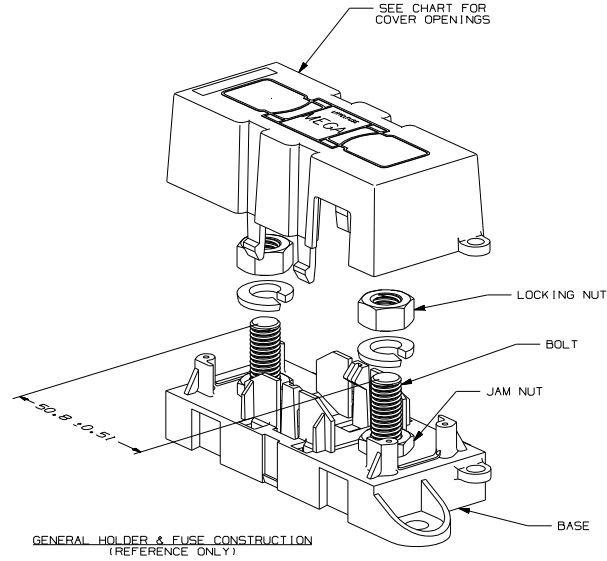
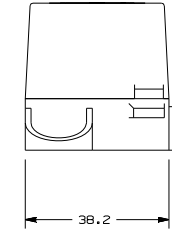
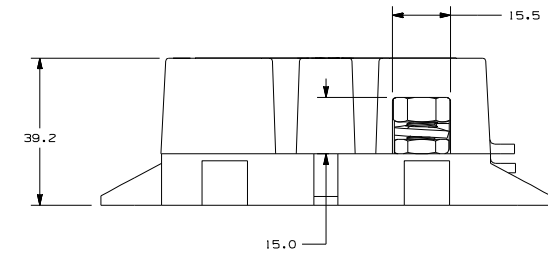
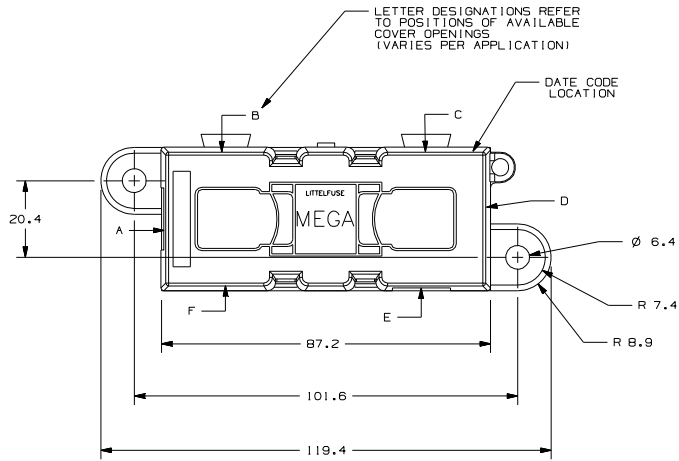


COVER OPENING POSITIONS

A E

LTR	DATE	REVISION	CHK	APD
A	06/10/10	SA329 - RELEASE 029810292XT GMB		



GENERAL NOTES:

- COVER RETENTION TEST A MINIMUM FORCE OF 2 LBS. IS REQUIRED TO REMOVE COVER WHEN IT IS SUSPENDED UPSIDE DOWN. FORCE SHALL BE APPLIED THROUGH THE INNER HOLES (2) IN BASE. USE FIXTURE #T-C403 TO SUPPORT PART.
- TORQUE REQUIREMENT FOR MEGA FUSE TERMINAL & CONNECTOR LOCKING NUTS TO BE: 8mm NUT - 12-18 NEWTON METERS (106-159 IN-LBS).
- HOLDER MEETS L/F VALIDATION TEST SPEC. VS-005002.

MATERIALS:

- BODY - GLASS FILLED THERMOPLASTIC  
COLOR - BLACK
- COVER - THERMOPLASTIC  
COLOR - BLACK
- WIRE TIE - THERMOPLASTIC  
COLOR - BLACK
- STUDS & NUTS - M8 X 1.25 STEEL  
ZINC PLATE WITH TRIVALENT CHROMATE, LEACHED AND SEALED, INTEGRAL TORQUE CONTROL LUBRICANT FINISH.  
(MEETS 96 HR. ASTM STD. B-117 SALT SPRAY REQ.)

NO	COMPONENT NO	DESCRIPTION	QTY/M	U/M
BILL OF MATERIAL				
UNLESS OTHERWISE SPECIFIED, DIMENSIONS ARE IN MILLIMETERS. DIMENSIONS IN BRACKETS [ ] ARE INCHES.				
UNLESS OTHERWISE SPECIFIED, DIMENSIONS DO NOT INCLUDE PLATING.				
⊙	DENOTES CRITICAL CHARACTERISTICS.			
CPK	DENOTES CPK DIMENSIONS. -MINIMUM CPK VALUE			
ST	DENOTES A CHARACTERISTIC THAT PROVIDES AN INDICATION OF PROCESS PERFORMANCE. PROCEDURE FOR MEASUREMENT AND TRACKING TO BE DEFINED IN LITTELFUSE INSPECTION INSTRUCTIONS			
CP	DENOTES CP DIMENSIONS. -MINIMUM CP VALUE MUST BE WITHIN THE DIMENSIONAL LIMITATIONS SHOWN ON DRAWING AND INITIALLY LOCATED TO ALLOW FOR MAXIMUM TOOL LIFE			
MATERIAL SPEC				
COPIES TO				
1	9	18		
2	10	19		
3	12	20		
4	13	21		
5	14	23	DRW	GMB
6	15	33	DATE	06/10/10
7	16	43	SCALE	FULL
8	17	53	CHK	DATE
			APPD	SUPER DR
			DATE	FINSH GOOD WT
				GRAMS/PIECE
TOLERANCES UNLESS OTHERWISE SPECIFIED (REF. ISO 2768-MK1)				
DIMENSION	0.5 - 0.9	0.9 - 1.5	1.5 - 30	30 - 120
TOLERANCE	±0.1	±0.1	±0.2	±0.3
TITLE				
MEGAFUSE HOLDER				
REVISION DRWG. NO. OUTLINE				
A OL-029810292XT				

METRIC



CAD GENERATED DRAWING - NO PENCIL CHANGES ALLOWED