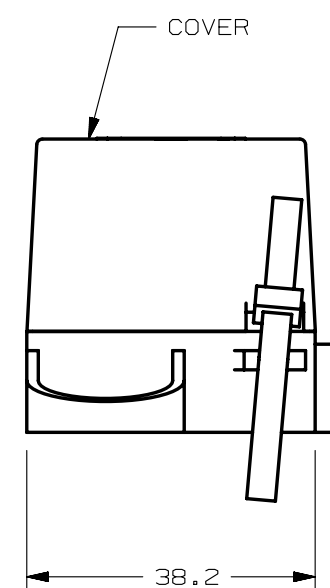
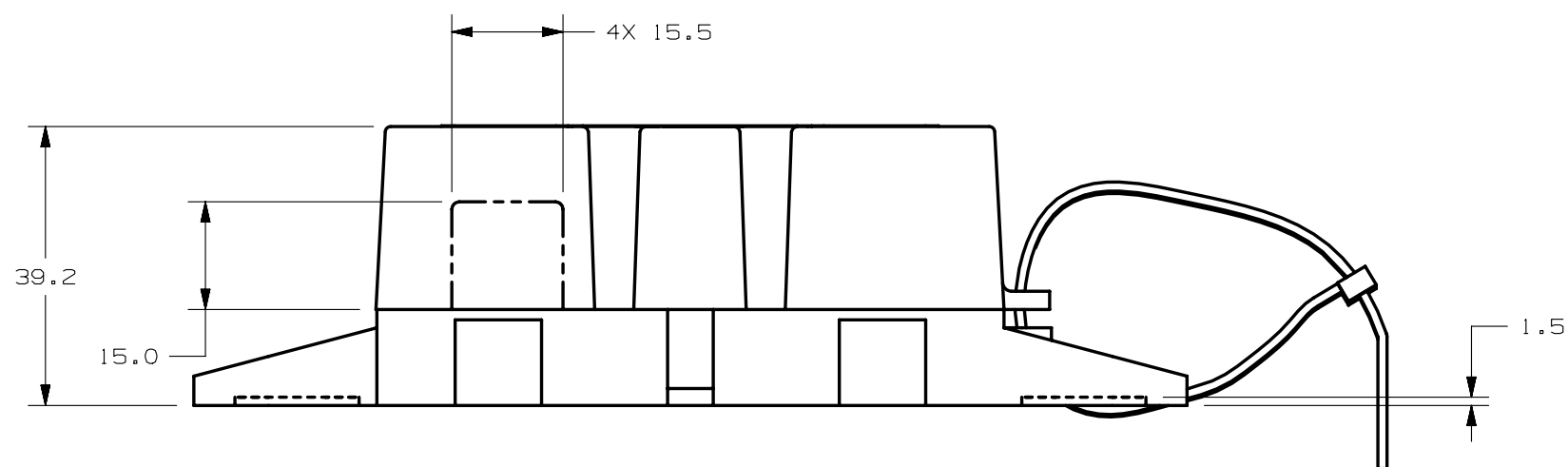
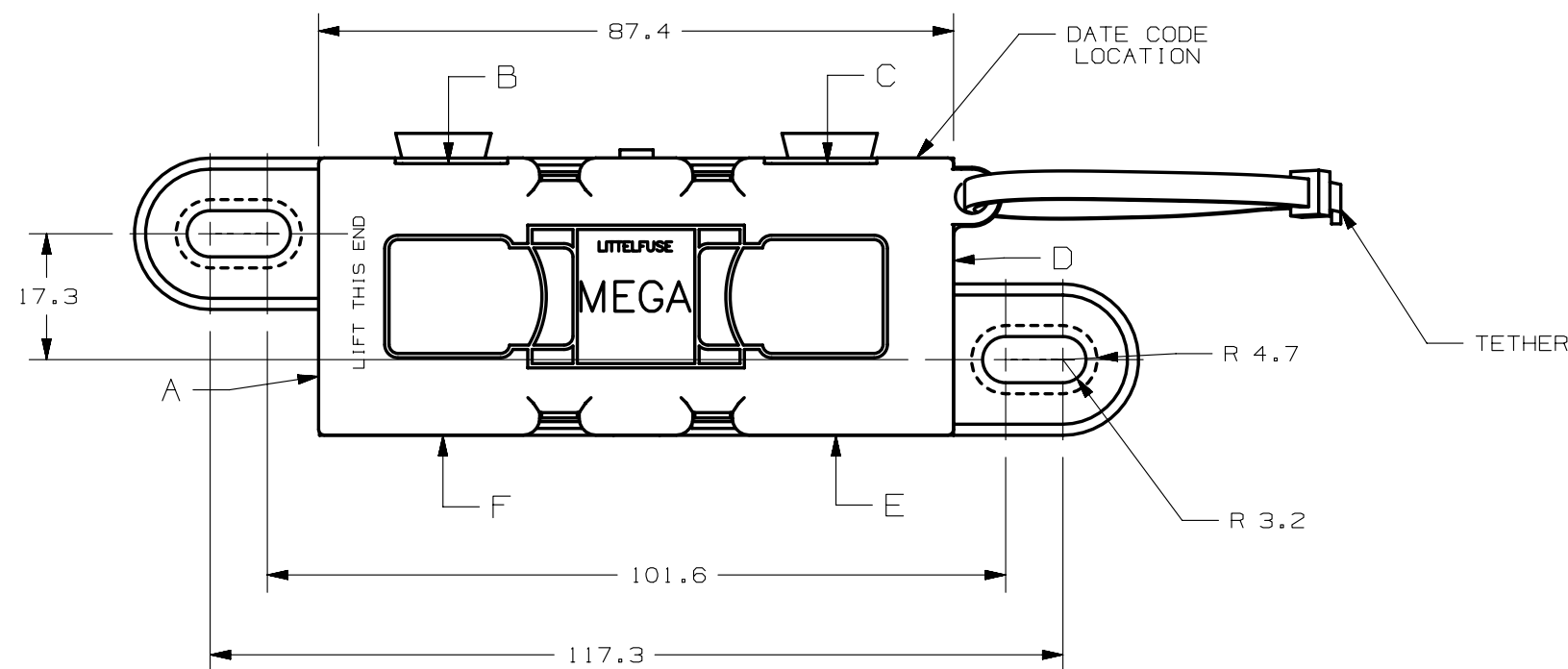
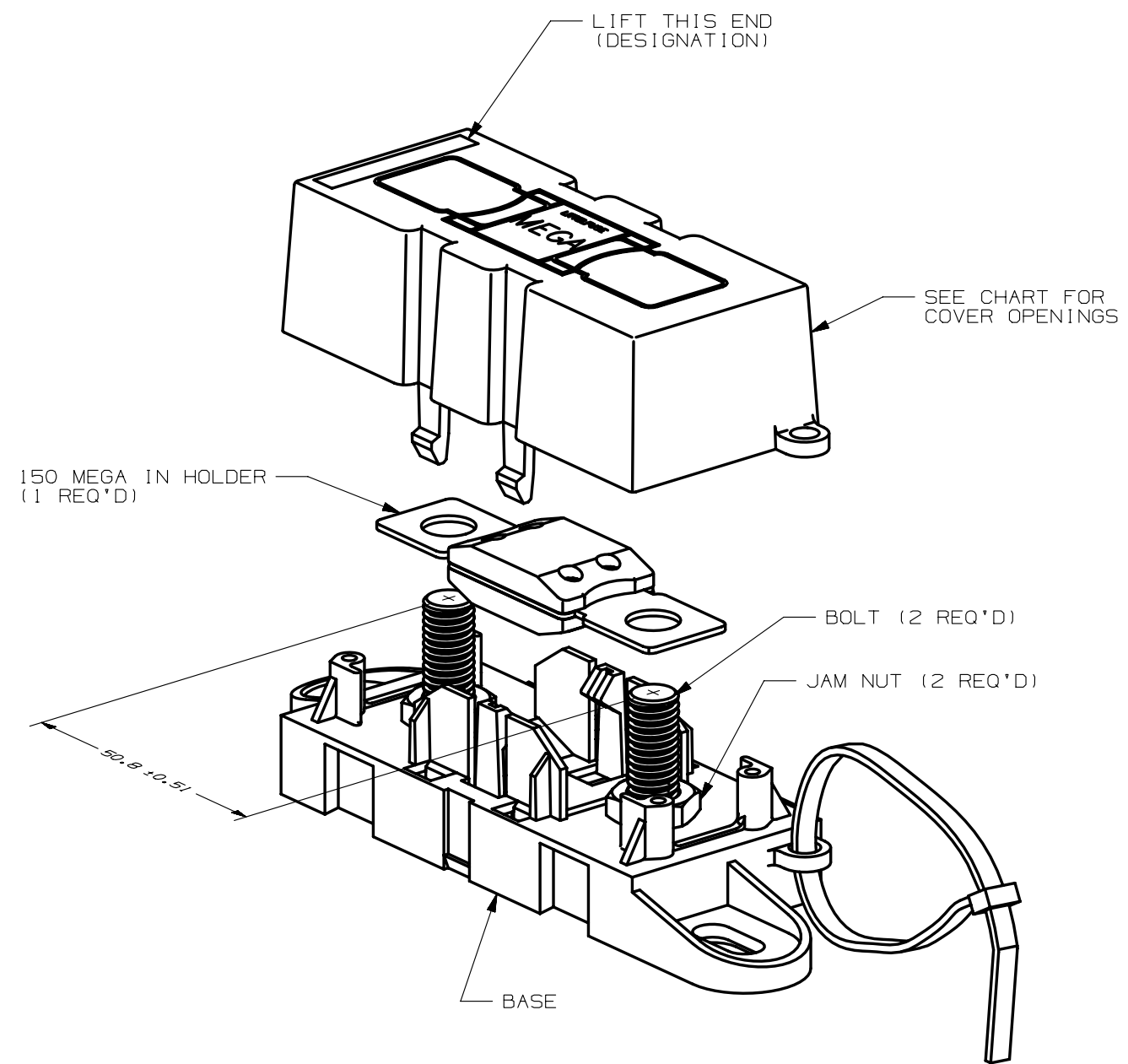


COVER OPENING POSITION	MEGAFUSE IN HOLDER
B C	0298150.ZXEH

LTR	DATE	REVISION	CHK	APD
A	01/07/09	000544ER-RELEASE GMB		
B	09/18/13	509473ECA-IN CHAR ADD COLUMN: MEGAFUSE IN HOLDER OPL		

**GENERAL NOTES:**

- COVER RETENTION TEST: MINIMUM FORCE OF 2 LBS. REQUIRED TO REMOVE COVER WHEN IT IS SUSPENDED UPSIDE DOWN. FORCE SHALL BE APPLIED THROUGH THE INNER HOLES (2) IN BASE. USE FIXTURE #T-C403 TO SUPPORT PART.
- TORQUE REQUIREMENTS FOR THE HEX NUT USED TO SECURE THE CUSTOMER RING TERMINAL TO THE MEGA FUSE TO BE: 8mm NUT - 12-18 NEWTON METERS (106-159 IN-LBS)
- HOLDER MEETS L/F VALIDATION TEST SPEC. VS-005002.
- MATERIALS:
  - \* BODY - GLASS FILLED THERMOPLASTIC  
COLOR - BLACK
  - \* COVER - THERMOPLASTIC  
COLOR - BLACK
  - \* WIRE TIE - THERMOPLASTIC  
COLOR - BLACK
  - \* STUDS & NUTS - M8 X 1.25 STEEL  
ZINC PLATE WITH TRIVALENT CHROMATE, LEACHED AND SEALED. INTEGRAL TORQUE CONTROL LUBRICANT FINISH. (MEETS 96 HR. ASTM STD. B-117 SALT SPRAY REQ.)
- COVER IS SHIPPED SEATED BUT NOT SNAPPED ONTO THE HOLDER BASE.



NO	COMPONENT NO	DESCRIPTION	QTY/M	U/M
BILL OF MATERIAL				
UNLESS OTHERWISE SPECIFIED, DIMENSIONS ARE IN MILLIMETERS. DIMENSIONS IN BRACKETS [ ] ARE INCHES				
UNLESS OTHERWISE SPECIFIED, DIMENSIONS DO NOT INCLUDE PLATING.				
⊙	DENOTES CRITICAL CHARACTERISTICS.			
CPK	DENOTES CPK DIMENSIONS, -MINIMUM CPK VALUE			
ST	DENOTES A CHARACTERISTIC THAT PROVIDES AN INDICATION OF PROCESS PERFORMANCE. PROCEDURE FOR MEASUREMENT AND TRACKING TO BE DEFINED IN LITTELFUSE INSPECTION INSTRUCTIONS			
CP	DENOTES CP DIMENSIONS, -MINIMUM CP VALUE MUST BE WITHIN THE DIMENSIONAL LIMITATIONS SHOWN ON DRAWING AND INITIALLY LOCATED TO ALLOW FOR MAXIMUM TOOL LIFE			
COPIES TO		MATL SPEC		
1	9	18	FINISH	
2	10	19	DRW GMB DATE 01/07/09 SCALE 1:1	
3	12	20	CHK DATE SUPER DR	
4	13	21	APPD DATE FINSH GOOD WT	
5	14	23	GRAMS/PIECE	
6	15	33	TOLERANCES UNLESS OTHERWISE SPECIFIED (REF. ISO 2768-mK)	
7	16	43	DIMENSION 0.5 - 3 3 - 6 6 - 30 30 - 120 120 - 400	
8	17	53	TOLERANCE +0.1 +0.1 +0.2 +0.3 +0.5	
3RD ANGLE PROJECTION		TITLE MEGAFUSE HOLDER		
METRIC ASSEMBLY		Littelfuse REVISION B DRWG. NO. 02981025XT OUTLINE		
		DES PLAINES, ILLINOIS 60016		

METRIC ASSEMBLY

Littelfuse

REVISION B DRWG. NO. 02981025XT OUTLINE

CAD GENERATED DRAWING - NO PENCIL CHANGES ALLOWED