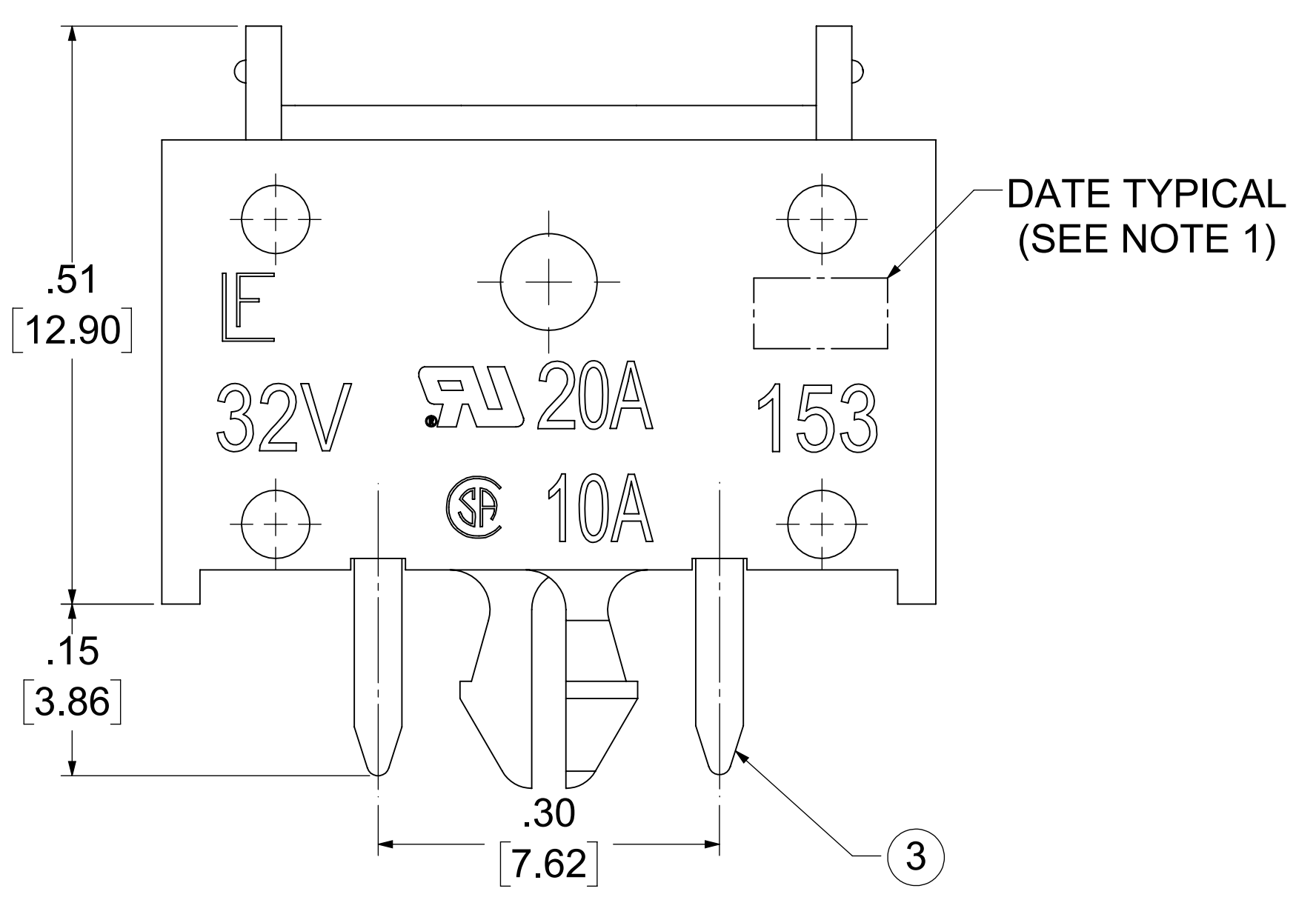
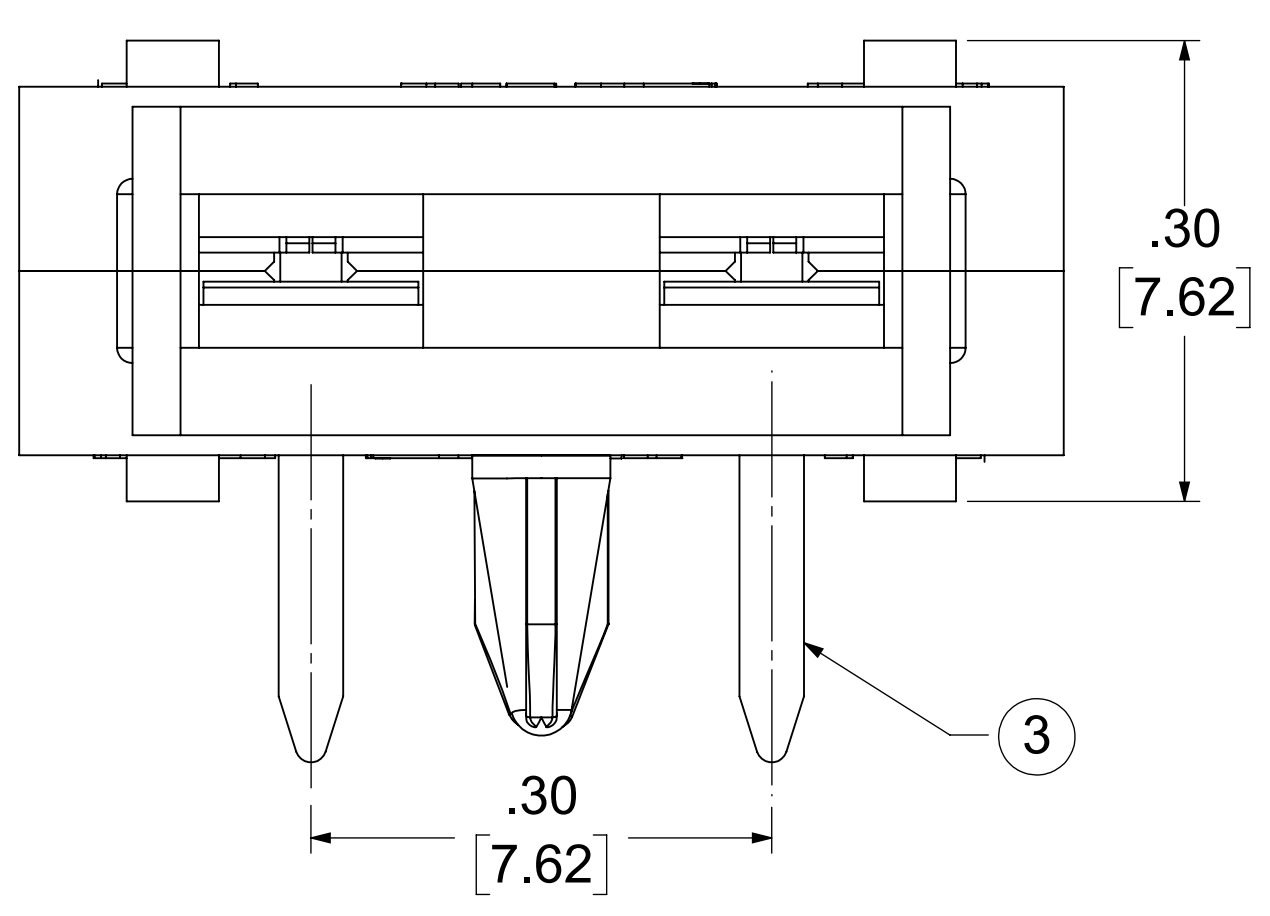
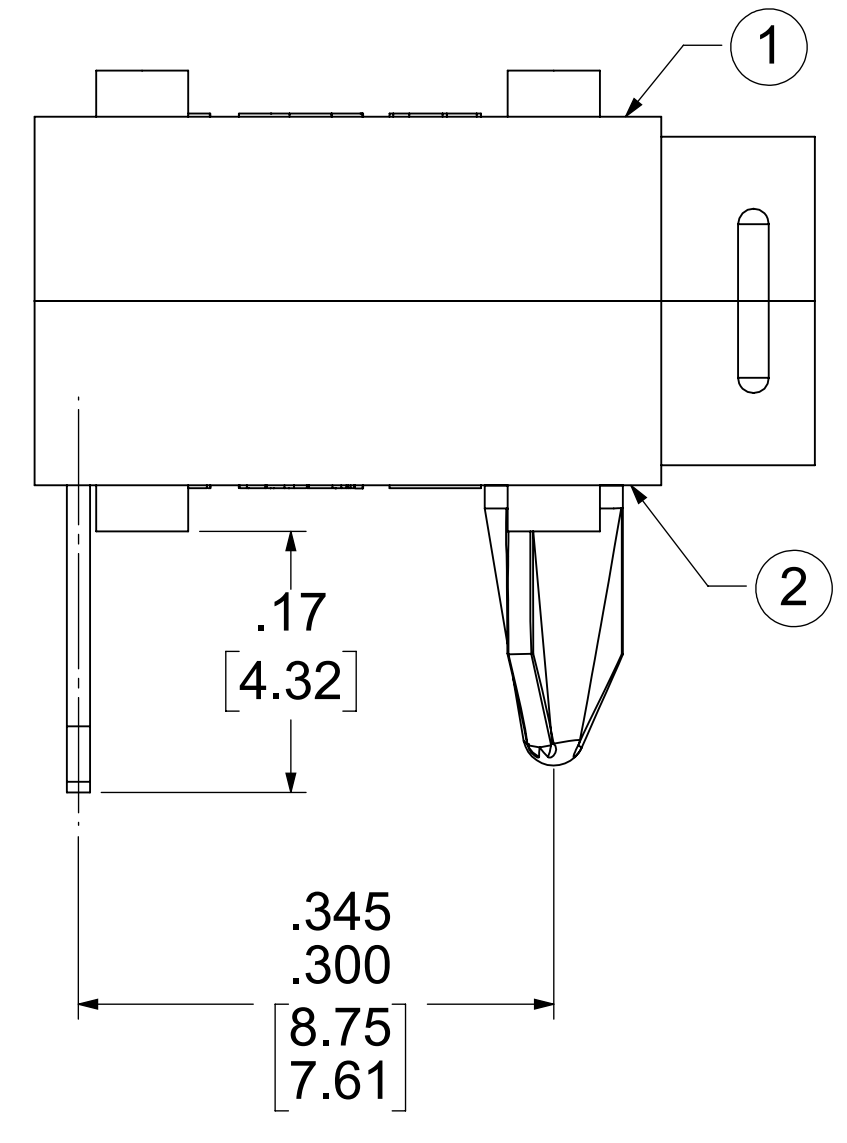
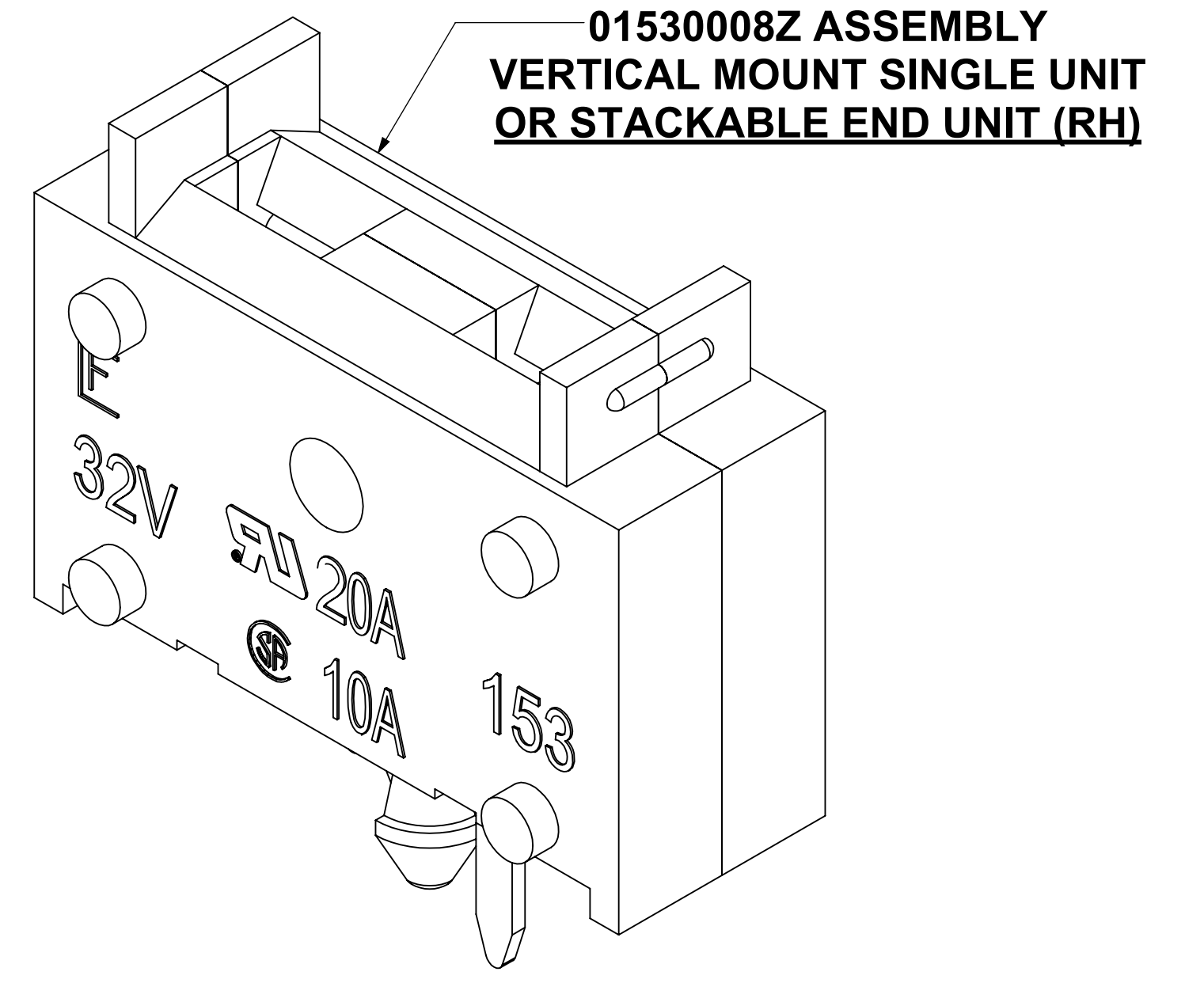
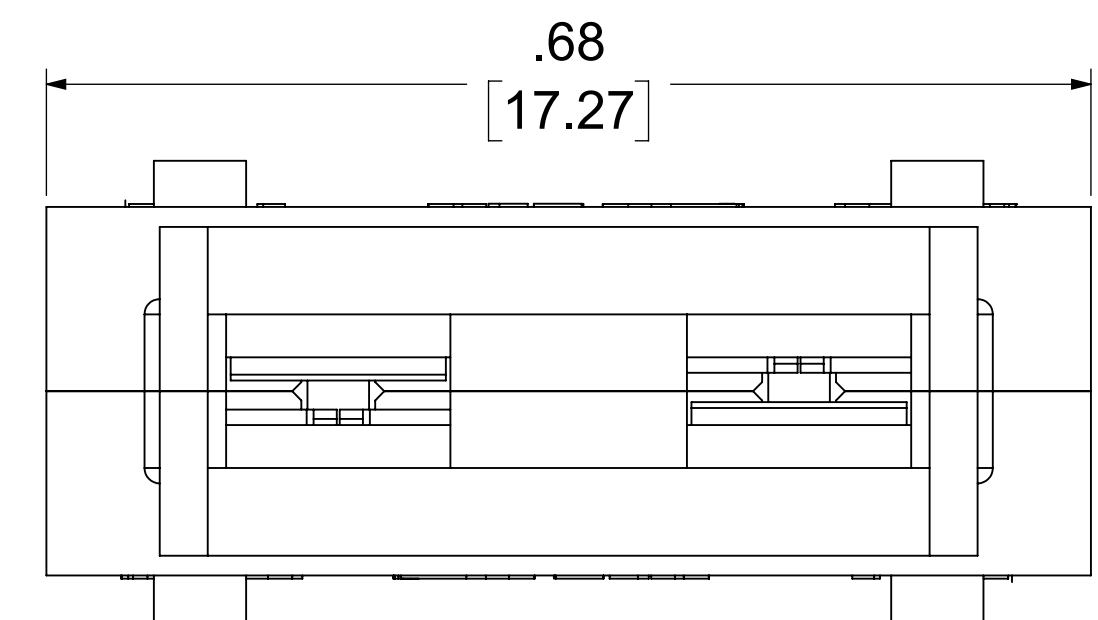
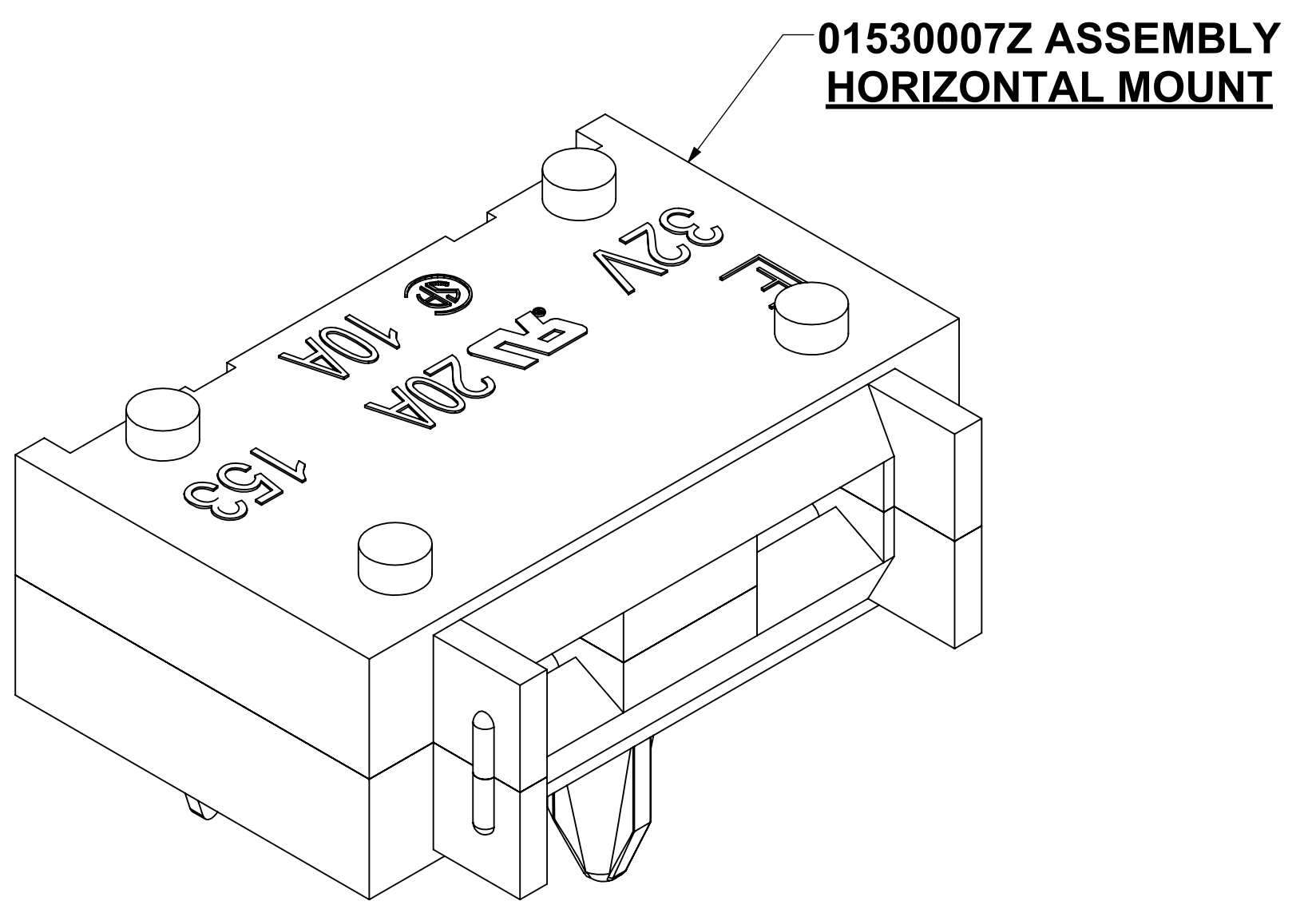
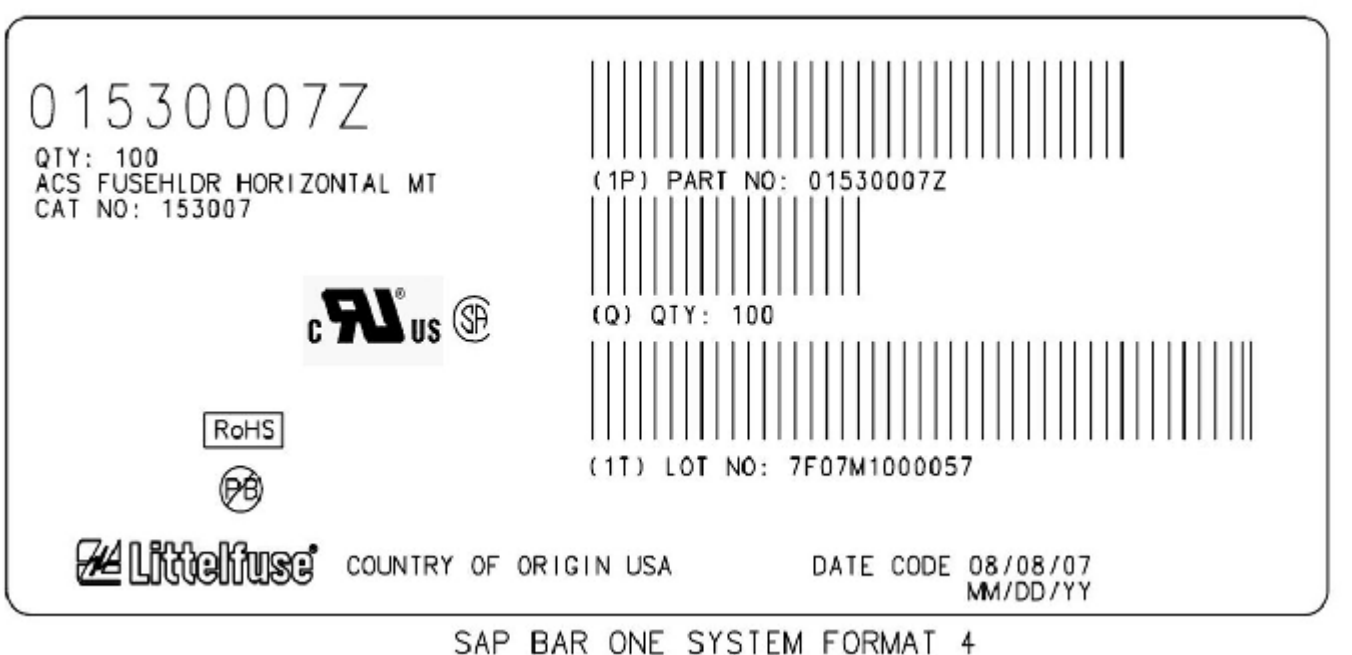
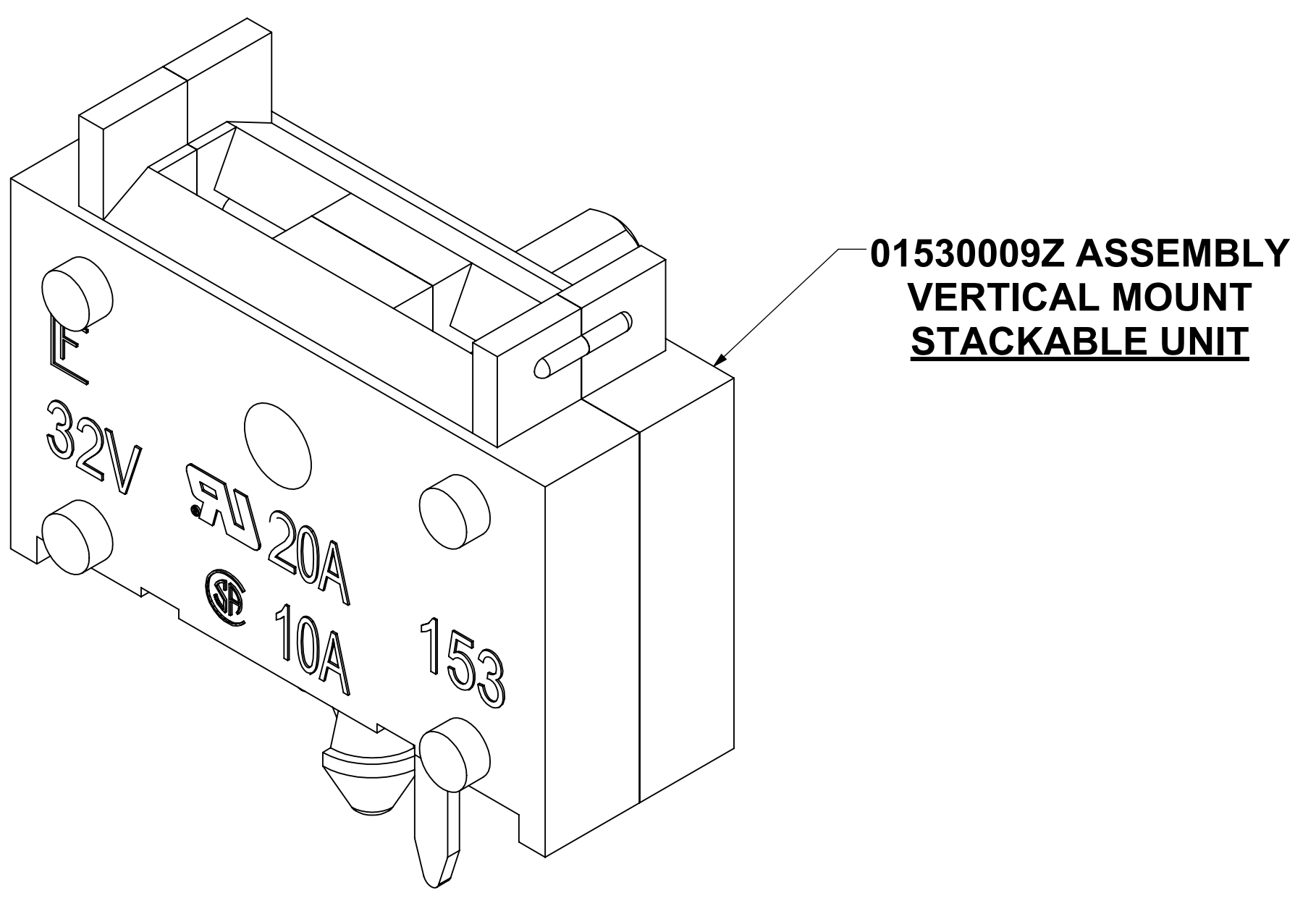
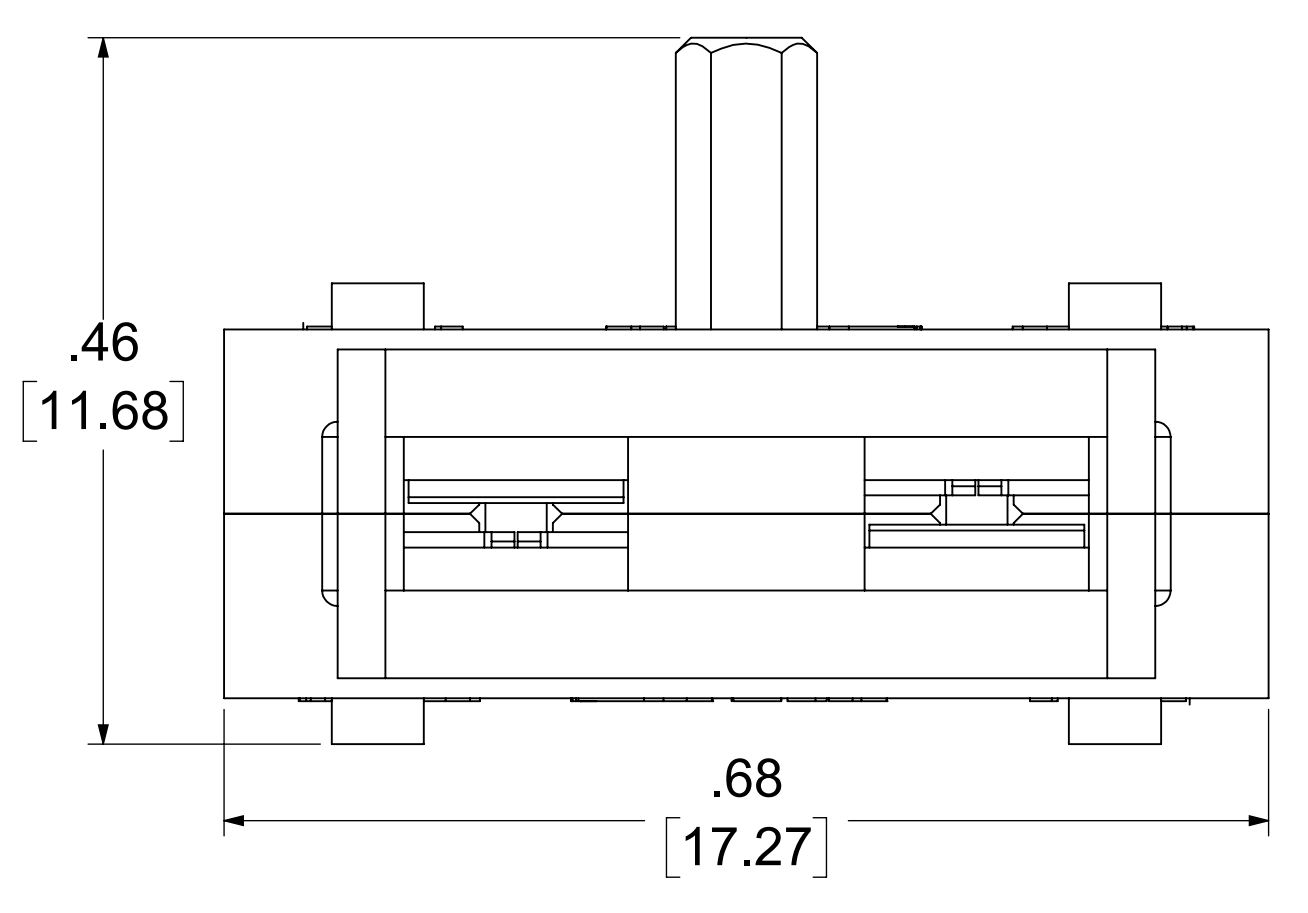
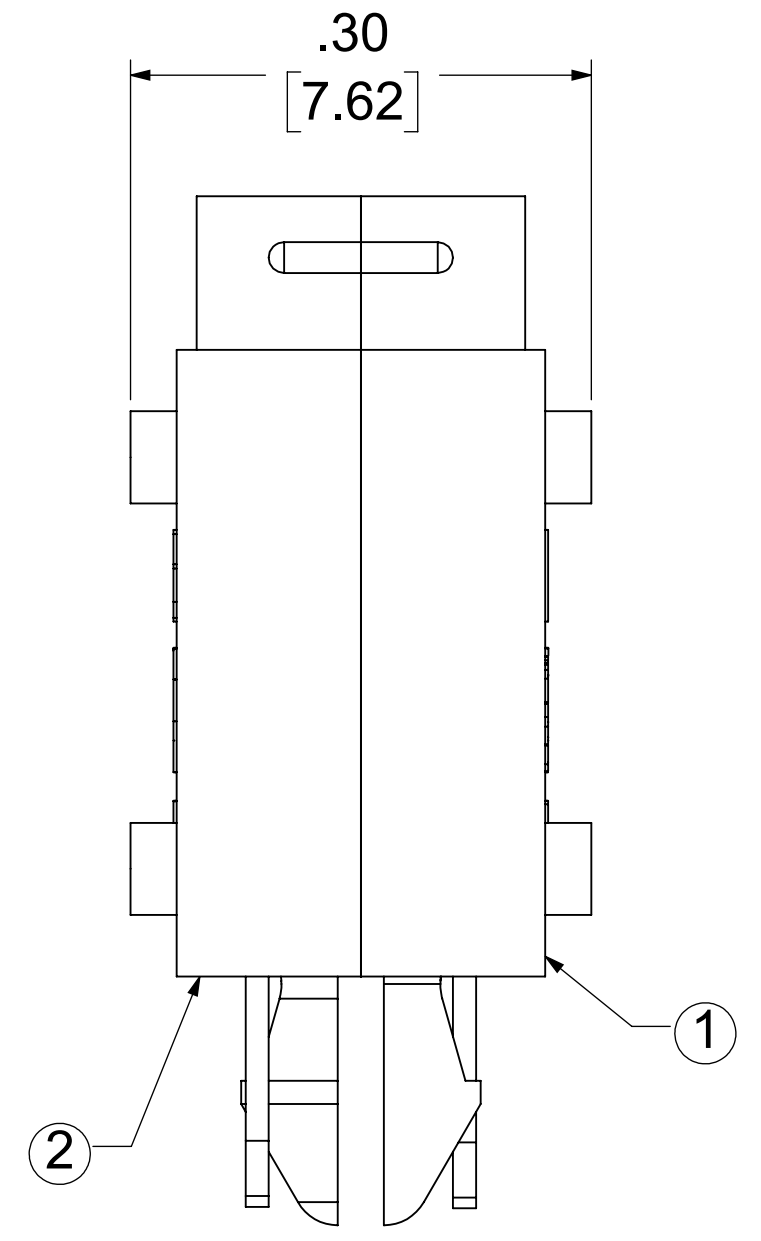


DATE TYPICAL
(SEE NOTE 1)

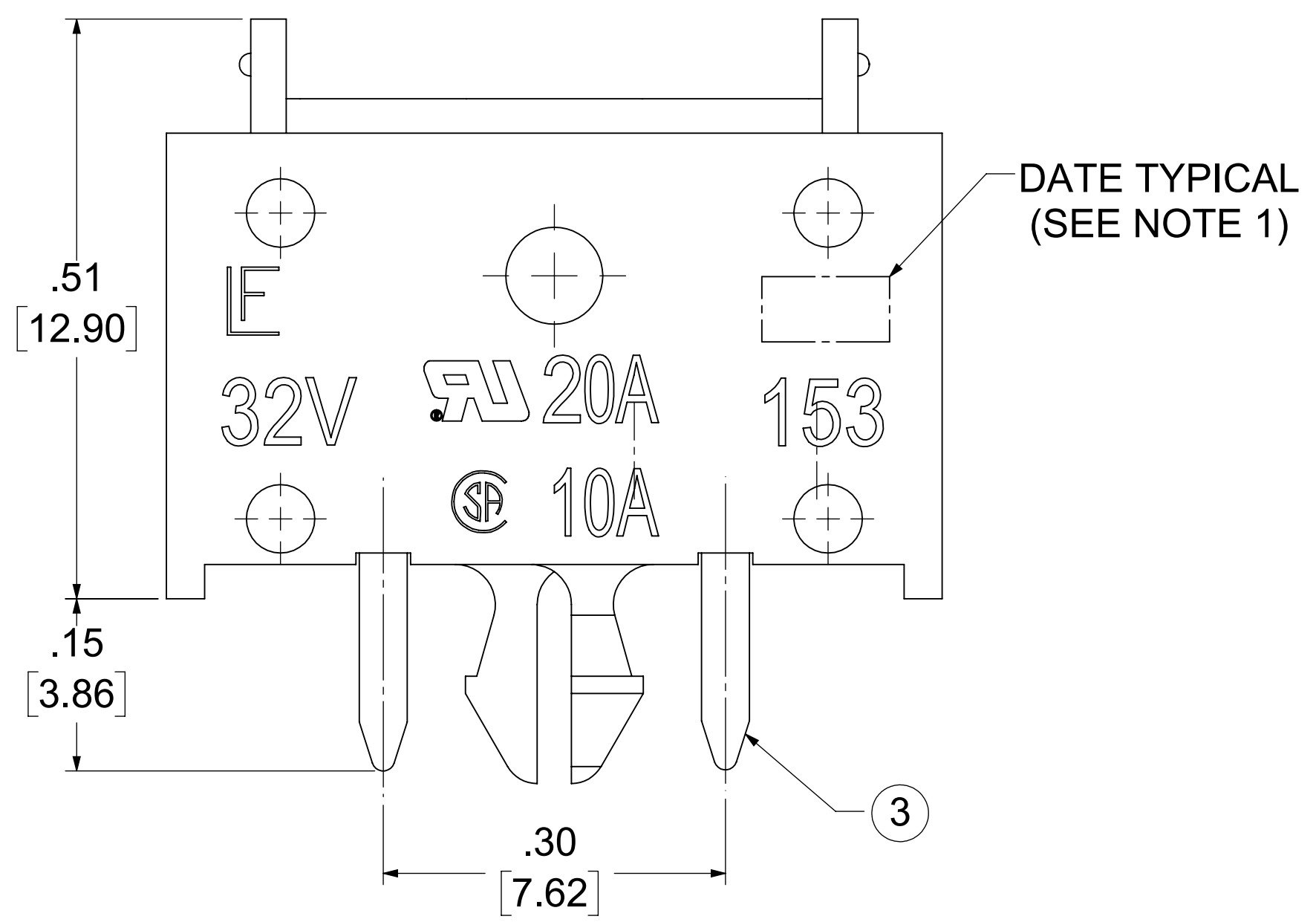


DATE TYPICAL
(SEE NOTE 1)

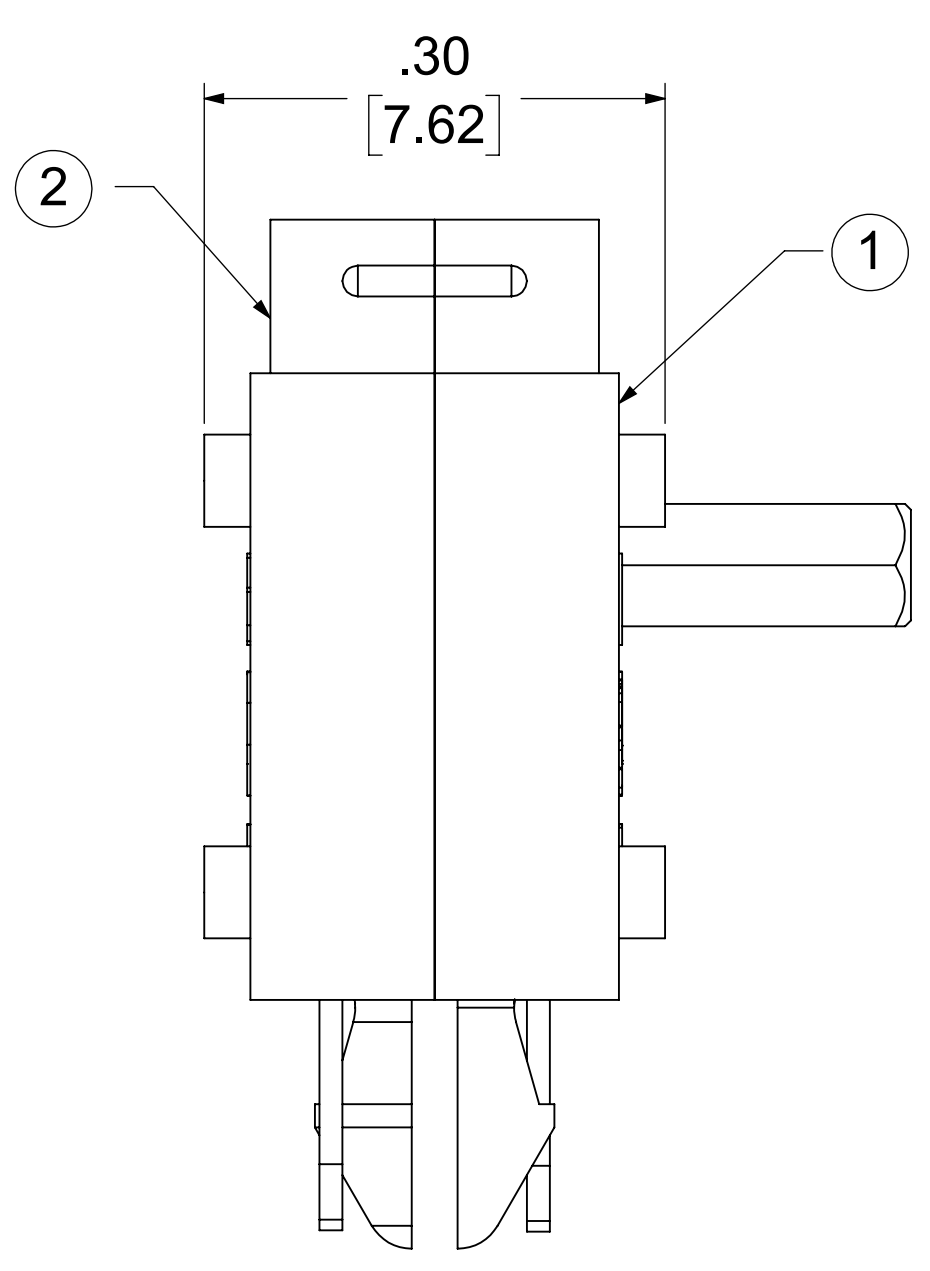


- NOTES:
- 2 CHARACTER DATE CODE (EXAMPLE JAN 1997 = A7)
 - MATERIAL:
BODY HALFS; THERMOPLASTIC
TERMINALS; COPPER ALLOY, TIN/NICKEL PLATING
 - ALL DIMENSIONS ARE FOR REFERENCE

- PACKAGING NOTES:
- PLACE ASSEMBLED FUSEHOLDERS (500 PCS MAX) INTO CARTON LINED WITH BAG, SEAL WITH TAPE. APPLY LABEL AND BARCODE LABEL
 - FOR SMALLER QUANTITIES, USE THE SAME PACKING MATERIALS AND ADD BROWN PAPER TO FILL THE EMPTY SPACE IN THE CARTON.



DATE TYPICAL
(SEE NOTE 1)



NO.	COMPONENT NO.	DESCRIPTION	QTY/M	UM
3	SEE DWG VIEWS	TERMINAL	2	EA
2	SEE DWG VIEWS	BODY HALF	1	EA
1	SEE DWG VIEWS	BODY HALF	1	EA

NO.	COMPONENT NO.	DESCRIPTION	QTY/M	UM
3	SEE DWG VIEWS	TERMINAL	2	EA
2	SEE DWG VIEWS	BODY HALF	1	EA
1	SEE DWG VIEWS	BODY HALF	1	EA

NO.	COMPONENT NO.	DESCRIPTION	QTY/M	UM
3	SEE DWG VIEWS	TERMINAL	2	EA
2	SEE DWG VIEWS	BODY HALF	1	EA
1	SEE DWG VIEWS	BODY HALF	1	EA

NO.	COMPONENT NO.	DESCRIPTION	QTY/M	UM
3	SEE DWG VIEWS	TERMINAL	2	EA
2	SEE DWG VIEWS	BODY HALF	1	EA
1	SEE DWG VIEWS	BODY HALF	1	EA

NO.	COMPONENT NO.	DESCRIPTION	QTY/M	UM
3	SEE DWG VIEWS	TERMINAL	2	EA
2	SEE DWG VIEWS	BODY HALF	1	EA
1	SEE DWG VIEWS	BODY HALF	1	EA

NO.	COMPONENT NO.	DESCRIPTION	QTY/M	UM
3	SEE DWG VIEWS	TERMINAL	2	EA
2	SEE DWG VIEWS	BODY HALF	1	EA
1	SEE DWG VIEWS	BODY HALF	1	EA

INCHES
[MILLIMETERS]



FORM NO. 02P-FUSE-002 REV. A
MINIFUSE P.C.B. FUSEHOLDER
SCALE: 1:1
DO NOT SCALE DRAWING

