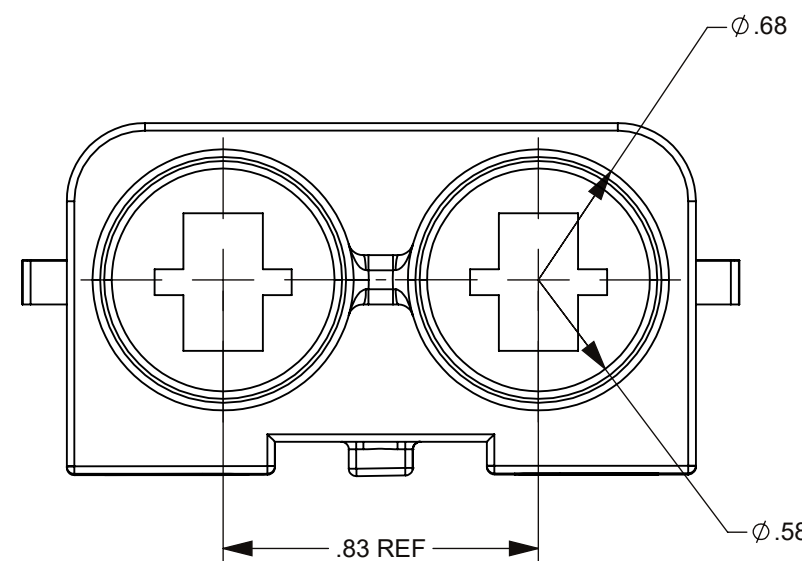
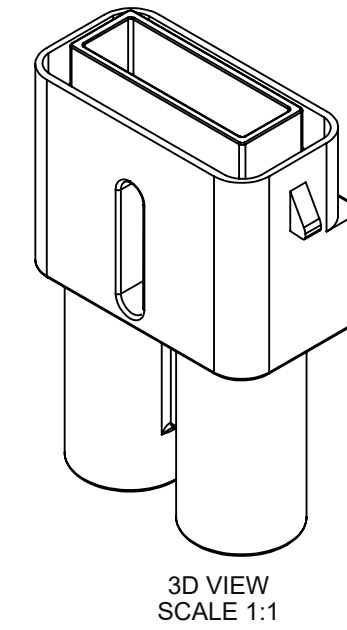
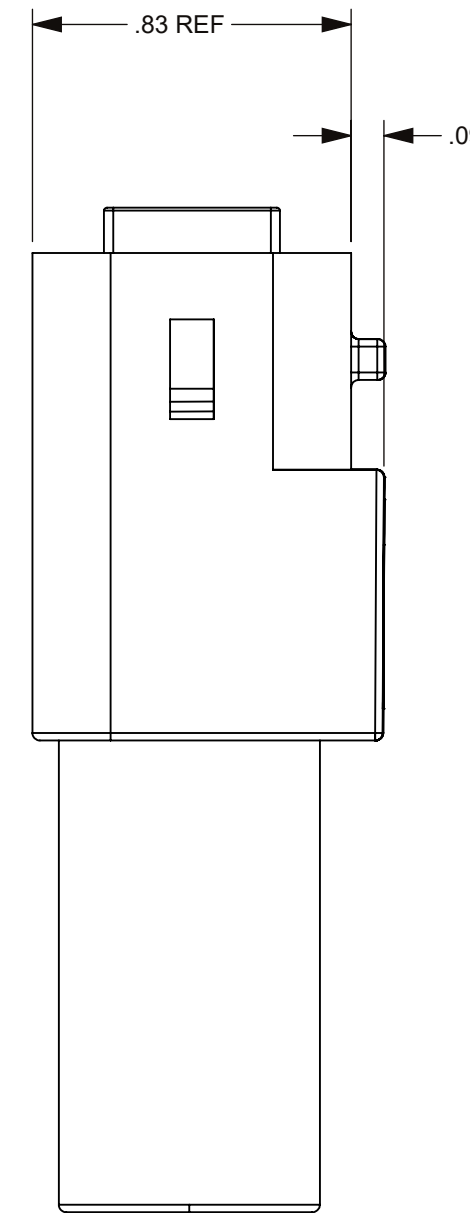
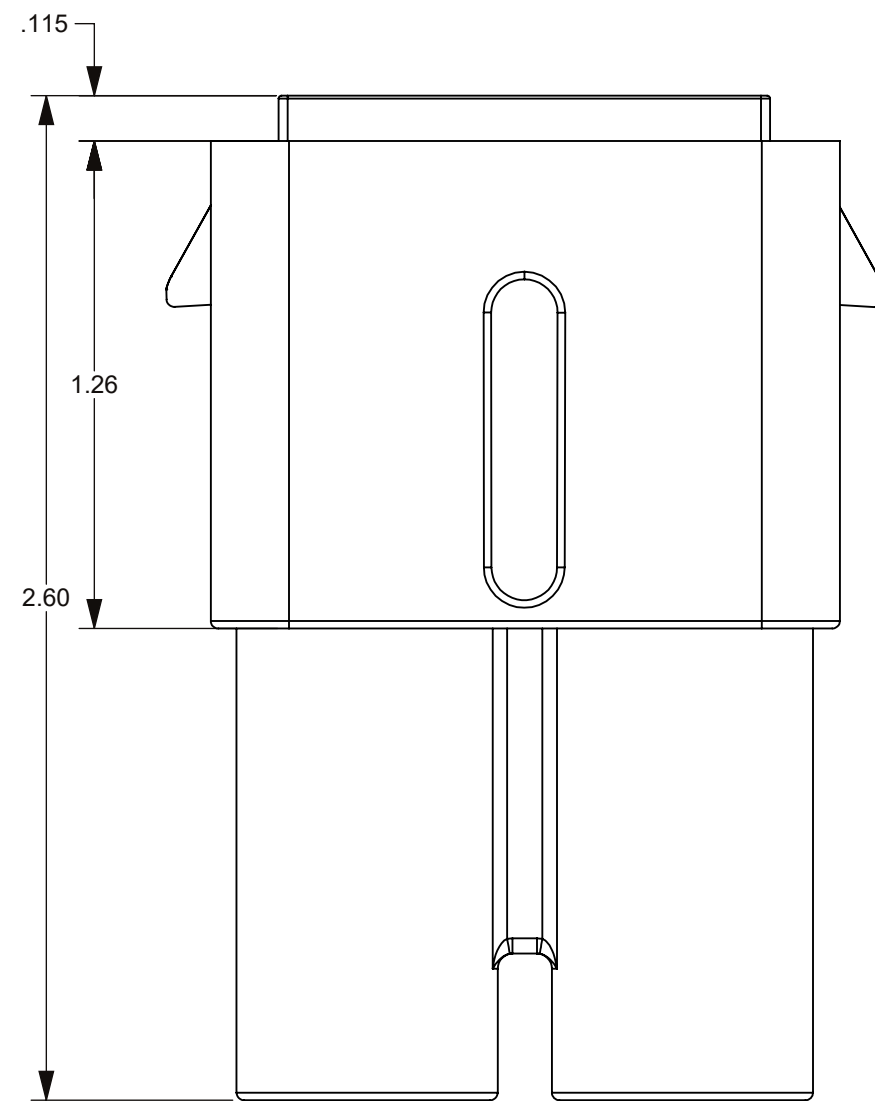
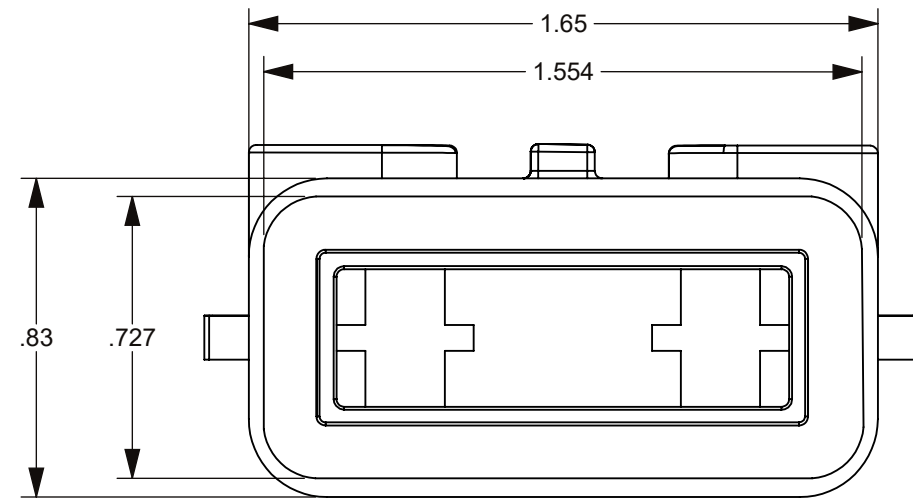


THIS DRAWING AND THE INFORMATION CONTAINED WITHIN IT ARE CONFIDENTIAL AND MAY NOT BE COPIED OR DISCLOSED WITHOUT THE WRITTEN PERMISSION OF LITTELFUSE.

REVISIONS				
ZONE	REV.	DESCRIPTION	DATE	APPROVED
	A	PCO #5300036. INITIAL RELEASE. DSILVA	3/7/2022	L.ARGIL



- NOTES:  
 1. 1/2" DRAFT MAX PER SIDE UNLESS NOTED  
 2. MATERIAL: PET, GREY COLOR.

NO.	COMPONENT NO.	COMPONENT NAME	QTY	U
TOLERANCE UNLESS OTHERWISE SPECIFIED				
TWO PLACE DEC		THREE PLACE DEC	FRACTION	ANGULAR
±0.01		±0.005	±	±1°
DIMENSIONS ARE SHOWN IN INCHES. UNLESS OTHERWISE SPECIFIED, DIMENSIONS DO NOT INCLUDE PLATING.				
●	FIT/ FUNCTION CRITICAL CHARACTERISTICS			
<S>	SAFETY/ COMPLIANCE CRITICAL CHARACTERISTICS SYMBOL			
CPK	DENOTES CPK DIMENSIONS MINIMUM CPK VALUE			
ST	DENOTES A CHARACTERISTIC THAT PROVIDES AN INDICATION OF PROCESS PERFORMANCE. PROCEDURE FOR MEASUREMENT AND TRACKING TO BE DEFINED IN LITTELFUSE INSPECTION INSTRUCTIONS			
CP	DENOTES CP DIMENSIONS. -MINIMUM CP VALUE MUST BE WITHIN THE DIMENSIONAL LIMITATIONS SHOWN ON DRAWING AND INITIALLY LOCATED TO ALLOW FOR MAXIMUM TOOL LIFE			
DRAWN		NAME	DATE	
CHECKED		D. SILVA	1/17/2022	
<b>Littelfuse</b> Expertise Applied   Answers Delivered				
FORM NO. CVP-PE40-0005 REV B		TITLE 80A MAXI SPLASHPROOF W/O TABS		
THIRD ANGLE PROJECTION				
DO NOT SCALE DRAWING		SIZE C	DWG. NO. OUTLINE	REV. A
SCALE 2:1			OL-01520009Z	SHEET 1 OF 1