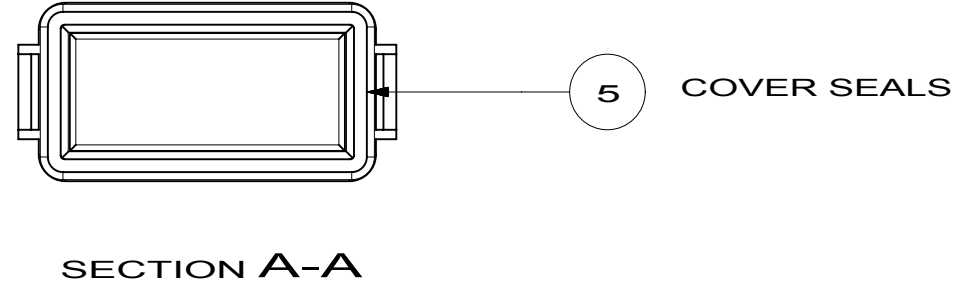
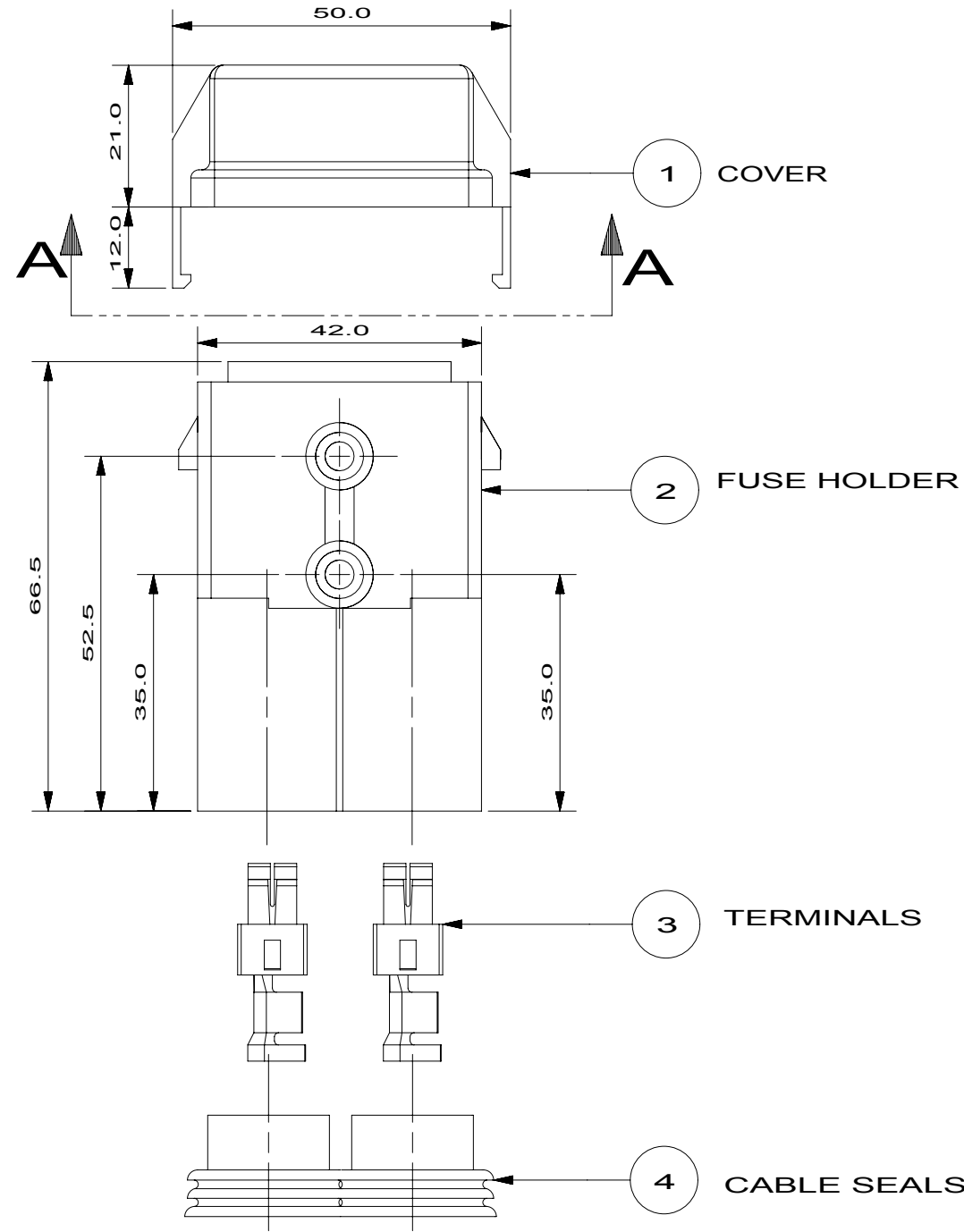


| PART NUMBER | ① COVER | ② FUSE HOLDER | ③ TERMINAL | ④ CABLE SEAL | WIRE SIZE (mm ²) |
|----------------|-----------|---------------|-------------|--------------|------------------------------|
| 01520003TXN941 | 01520903_ | 01520003_ | 09130727TXN | 08680905TXN | 2.5 - 6 |
| 01520003TXN942 | 01520903_ | 01520003_ | 09130728TXN | 08680906TXN | 6 - 10 |
| | | | | | |



METRIC COMPONENT

| NO | COMPONENT NO | DESCRIPTION | QTY/M | U/M |
|--|---|-------------|-------|-----|
| BILL OF MATERIAL | | | | |
| UNLESS OTHERWISE SPECIFIED, DIMENSIONS ARE IN MILLIMETERS. DIMENSIONS IN BRACKETS [] ARE INCHES | | | | |
| UNLESS OTHERWISE SPECIFIED, DIMENSIONS DO NOT INCLUDE PLATING. | | | | |
| © | DENOTES CRITICAL CHARACTERISTICS. | | | |
| CPK | DENOTES CPK DIMENSIONS, -MINIMUM CPK VALUE | | | |
| ST | DENOTES A CHARACTERISTIC THAT PROVIDES AN INDICATION OF PROCESS PERFORMANCE. PROCEDURE FOR MEASUREMENT AND TRACKING TO BE DEFINED IN LITTELFUSE INSPECTION INSTRUCTIONS | | | |
| CP | DENOTES CP DIMENSIONS, -MINIMUM CP VALUE MUST BE WITHIN THE DIMENSIONAL LIMITATIONS SHOWN ON DRAWING AND INITIALLY LOCATED TO ALLOW FOR MAXIMUM TOOL LIFE | | | |

| LTR | DATE | REVISION | CHK | APD | COPIES TO | MATL SPEC | FINISH | | SCALE | DATE | RDJ | CHK | APPD | FINISH GOOD WT | GRAMS/PIECE |
|--|--------|---|------|-----|-----------|-----------|--------|------|-------|----------|-----|-----|------|----------------|-------------|
| | | | | | | | UP TO | OVER | | | | | | | |
| A | 7/5/11 | 502840ERA- REDRAWN BASED ON AVAILABLE 3D MODEL. OTHER INFORMATION BASED FROM THE CATALOG OF 01520003TXN941 AND 01520003TXN942 | RLDJ | | 1 | 9 | 18 | | 1:1 | 07/04/11 | | | | | |
| | | | | | 2 | 10 | 19 | | | | | | | | |
| | | | | | 3 | 12 | 20 | | | | | | | | |
| | | | | | 4 | 13 | 21 | | | | | | | | |
| | | | | | 5 | 14 | 23 | | | | | | | | |
| | | | | | 6 | 15 | 33 | | | | | | | | |
| | | | | | 7 | 16 | 43 | | | | | | | | |
| | | | | | 8 | 17 | 53 | | | | | | | | |
| TOLERANCES UNLESS OTHERWISE SPECIFIED (REF. ISO 2768-MH) | | | | | | | | | | | | | | | |
| DIMENSION | | | | | | | | | | | | | | | |
| TOLERANCE | | | | | | | | | | | | | | | |
| 3RD ANGLE PROJECTION | | | | | | | | | | | | | | | |
| TITLE | | | | | | | | | | | | | | | |
| MAXI FUSE HOLDER | | | | | | | | | | | | | | | |
| REVISION | | | | | | | | | | | | | | | |
| DRWG. NO. | | | | | | | | | | | | | | | |
| LITTELFUSE | | | | | | | | | | | | | | | |
| LIPA CITY, BATANGAS, PHILIPPINES | | | | | | | | | | | | | | | |

REVISION **A** OL-01520003TXN