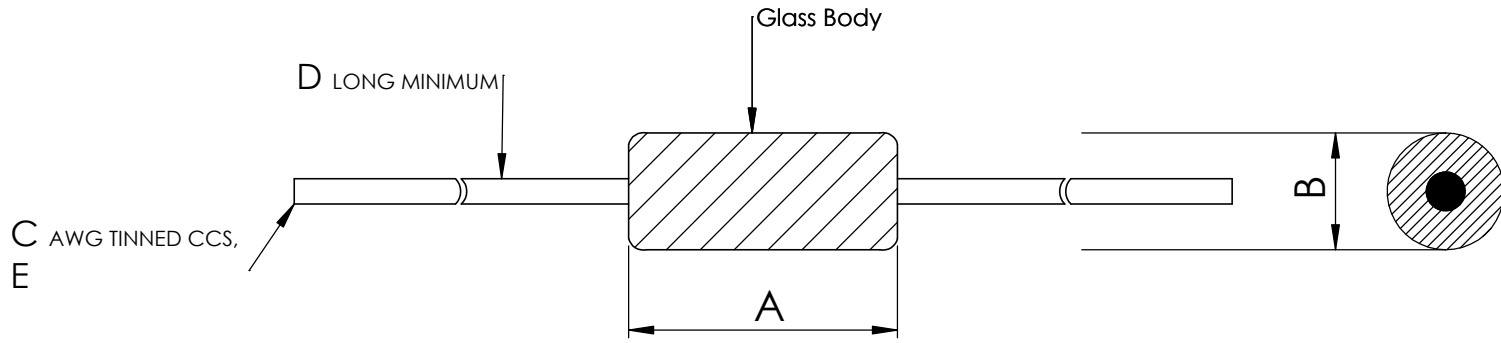


2

1

B

B



Mechanical Dimensions :

A	B	C	D	E	Packaging Style
0.110" to 0.170" (2.794 to 4.318mm)	0.065" to 0.110" (1.651 to 2.794mm)	0.0157" \pm 0.0025" to 0.0200" \pm 0.001" (0.0157 \pm 0.0635mm to 0.508 \pm 0.0254mm)	1.000" Long Minimum (25.4mm Long Minimum)	Tinned Dument	Bulk Tape and Reel

Electrical Specifications :

Resistance (25 °C) Ω	Resistance Tolerance, \pm %	Temp, Coefficient (%/°C)	Beta(K)	Dissipation Constant (mW/C)	Time Constant (still air) (sec)	Temp Rating(°C)
1000 to 2000000	0.5 to 10.0	3.31 to 4.4	2000~5000	\leq 2.0 ~ 4.0	\leq 12.0 ~ 20.0	-80 ~ +300 for the thermistor, leads tinning is rated +250

A

A

Project Code		XXXXXX			
		Third Angle Projection			
Units		Inch(mm)		Division	
				IBU - Temperature Sensors	
General Tolerances		0.X = \pm 0.X 0.XX = \pm 0.XX 0.XXX = \pm 0.XXX		Title	
				Glass Encapsulated NTC Thermistors	
Rev		Description		Finished Product Part Number	
A		Initial Release		NGD	
Rev		Description		Internal No.	
				NGD	
Date		03/28/2023		Size	
				A	
Reference Legacy No.		USPxxxx REV x		Do Not Scale	
				Sheet	
				1 of 1	

2

1