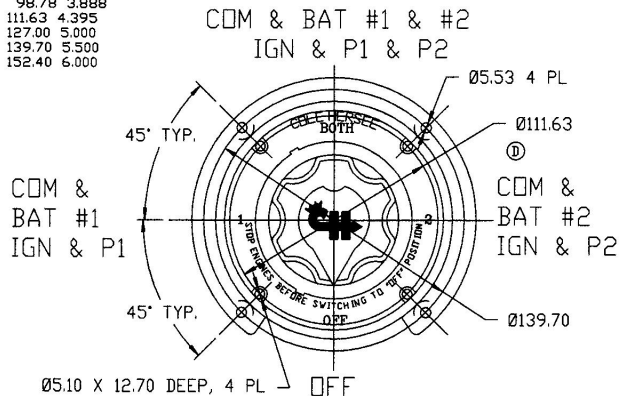
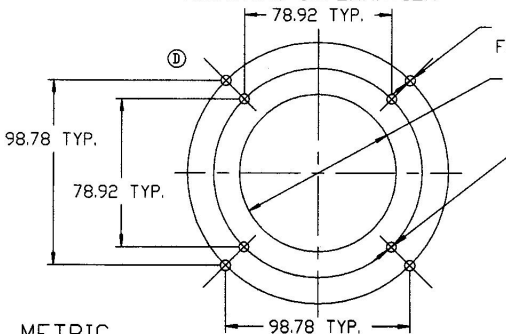


| MM | IN |
|--------|-------|
| 3.17 | 0.125 |
| 5.10 | 0.201 |
| 5.53 | 0.218 |
| 12.45 | 0.490 |
| 12.70 | 0.500 |
| 16.51 | 0.650 |
| 17.78 | 0.700 |
| 38.35 | 1.510 |
| 78.92 | 3.107 |
| 80.26 | 3.160 |
| 84.12 | 3.312 |
| 98.78 | 3.888 |
| 111.63 | 4.395 |
| 127.00 | 5.000 |
| 139.70 | 5.500 |
| 152.40 | 6.000 |



MOUNTING INFORMATION

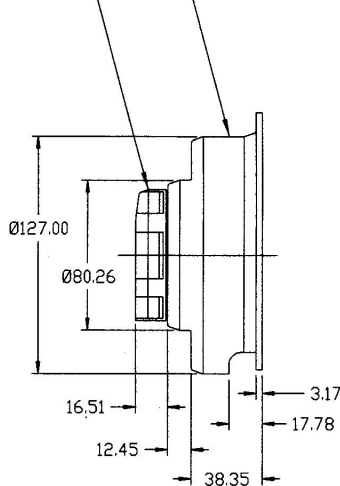


SURFACE MOUNTING HOLES Ø5.53 CLEARANCE FOR #10 SCREW 4 PL

CLEARANCE HOLE FOR PANEL MOUNT Ø84.12

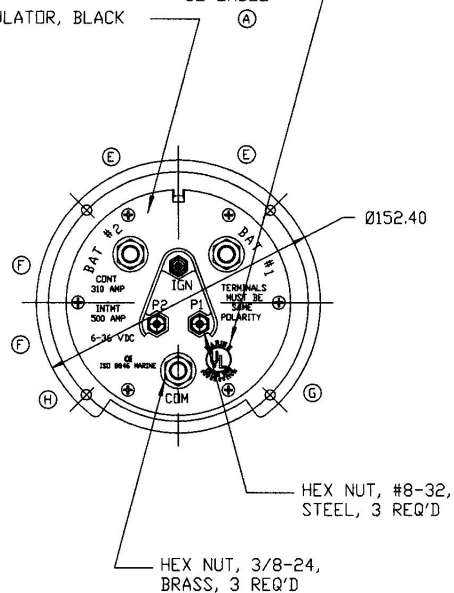
PANEL MOUNTING HOLES Ø5.10 X 12.70 DEEP FOR 1/4" THREAD CUTTING SCREW 4PL

HOUSING, BLACK
KNOB, BLACK



TERMINAL INSULATOR, BLACK

UL LABEL



Confidential Property of Cole Hersee

DO NOT SCALE

| LET. | WAS | DATE | BY | LET. | WAS | DATE | BY | MATERIAL | DRAWN | CHK | APVD | SCALE | W750 WITH PILOT LIGHT CKTS/ EX23169D | DATE DRAWN |
|------|------------------------------------|----------|-----|------|----------------------------------|----------|-----|------------------------------------|-------|-----|------|-------|--------------------------------------|------------------|
| J | EDH 8484 | 7/7/98 | DPS | D | EDH 8458B ADDED MOUNTING DIMS | 4/24/90 | RD | | DPS | | | 1/2 | | 5/9/89 |
| H | EDH 8430C ADDED CE IMPRINT | 12/29/97 | JMP | C | BRASS, EDH 8485E | 1/9/90 | RD | FINISH | | | | | | DATE BLUEPRINTED |
| G | EDH 8430B ADDED UL LABEL | 1/5/90 | RD | B | EDH 8485A | 11/15/89 | JP | | | | | | | |
| F | EDH 8448M | 8/1/90 | RD | A | RELOCATED UL LABEL EDH 8476A | 9/18/89 | DPS | TOLERANCES DECIMAL ± ANGLE ± | | | | | | |
| E | EDH 8447F RELETED STYL LOCATORS | 7/28/90 | RD | | ISSUED | | | | | | | | | |

CH Cole Hersee Co.
20 OLD COLONY AVENUE, BOSTON, MA, U.S.A. 02127
SW BAT SELECTOR WITH PILOT LIGHT CIRCUIT

METRIC