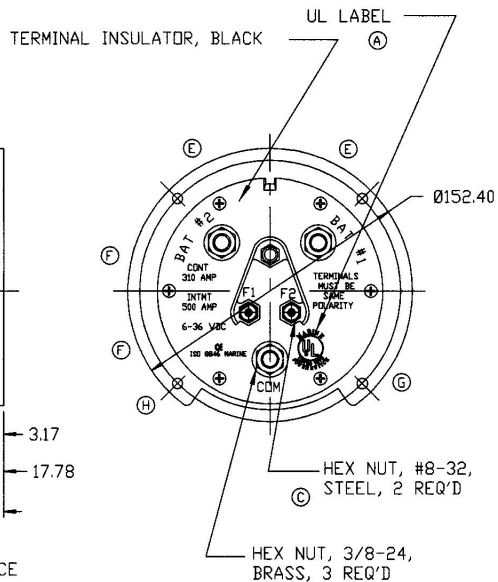
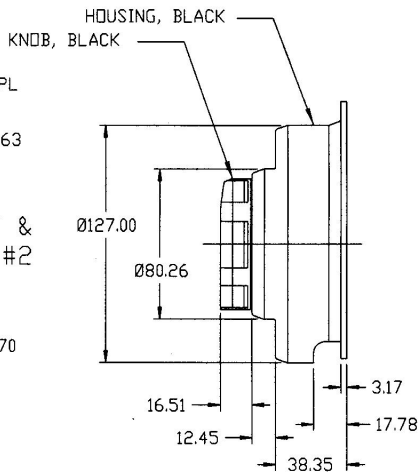
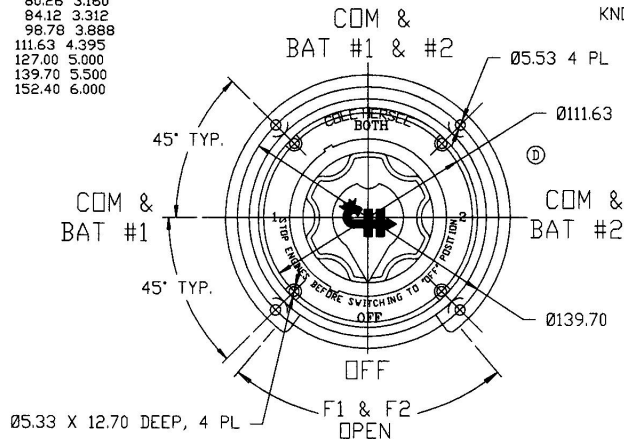
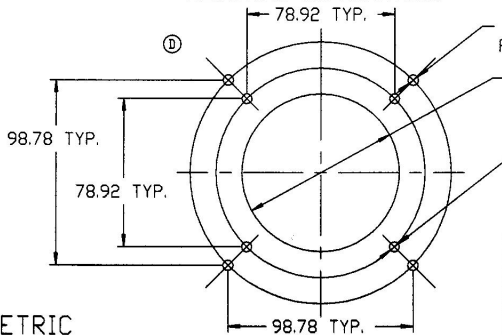


| MM | IN |
|--------|-------|
| 3.17 | 0.125 |
| 5.10 | 0.201 |
| 5.53 | 0.218 |
| 12.45 | 0.490 |
| 12.70 | 0.500 |
| 16.51 | 0.650 |
| 17.78 | 0.700 |
| 38.35 | 1.510 |
| 78.92 | 3.107 |
| 80.26 | 3.160 |
| 84.12 | 3.312 |
| 98.78 | 3.888 |
| 111.63 | 4.395 |
| 127.00 | 5.000 |
| 139.70 | 5.500 |
| 152.40 | 6.000 |



MOUNTING INFORMATION



SURFACE MOUNTING HOLES Ø5.53 CLEARANCE FOR #10 SCREW 4 PL

CLEARANCE HOLE FOR PANEL MOUNT Ø84.12

PANEL MOUNTING HOLES Ø5.10 X 12.70 DEEP FOR 1/4" THREAD CUTTING SCREW 4PL

Confidential Property of Cole Hersee

DO NOT SCALE

| LET. | WAS | DATE | BY | LET. | WAS | DATE | BY | MATERIAL | DRAWN | CHK | APVD | SCALE | M750 WITH FIELD CKT | DATE DRAWN |
|------|-----------------------------------|----------|-----|------|---------------------------------|----------|-----|------------------------------------|-------|-----|------|-------|---------------------------------|------------------|
| J | ECH 24824 | 7/7/84 | DPS | D | ECH 24239 ASSG MOUNTING INFO | 4/24/90 | RD | | DPS | | | 1:2 | M750 WITH FIELD CKT EX23169B | 5/5/89 |
| H | ECH 24239 ASSG I.C. IMPRINT | 12/29/97 | JMP | C | BRASS, ECH 24826 | 1/2/90 | RD | FINISH | | | | | | DATE BLUEPRINTED |
| G | ECH 24239 ASSG UL LABEL | 5/5/90 | RD | B | ECH 24824 | 11/25/99 | JP | | | | | | | |
| F | ECH 24844 | 8/1/90 | RD | A | MILICATED UL LABEL ECH 24239 | 9/19/99 | DPS | TOLERANCES DECIMAL ± ANGLE ± | | | | | | |
| E | ECH 2447 DELETED STUD LOCATORS | 7/26/90 | RD | | ISSUED | | | | | | | | | |

CH Cole Hersee Co.
80 OLD COLONY AVENUE, BOSTON, MA, U.S.A. 02127

SW BAT SELECTOR WITH
FIELD CIRCUIT

METRIC