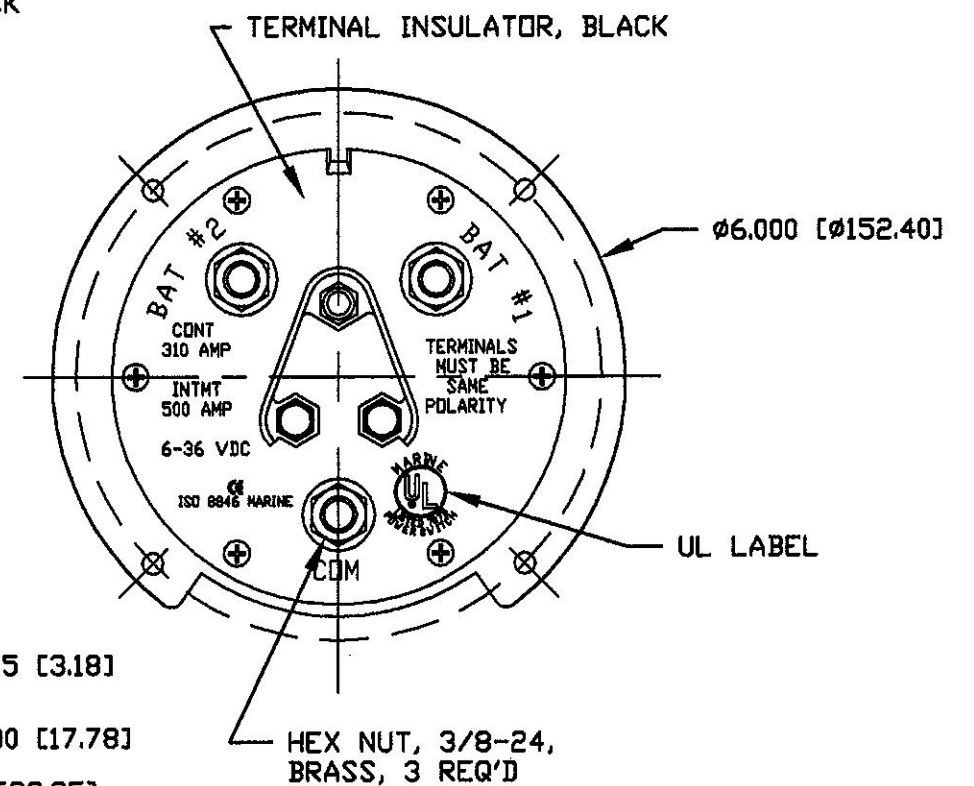
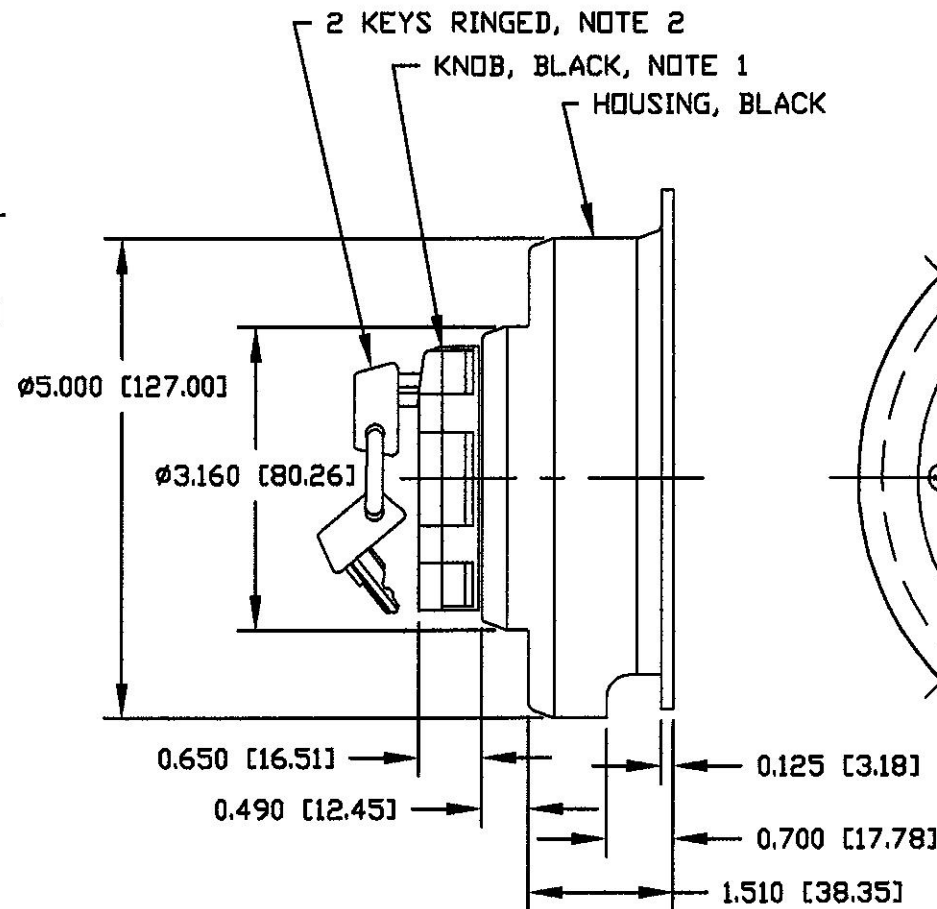
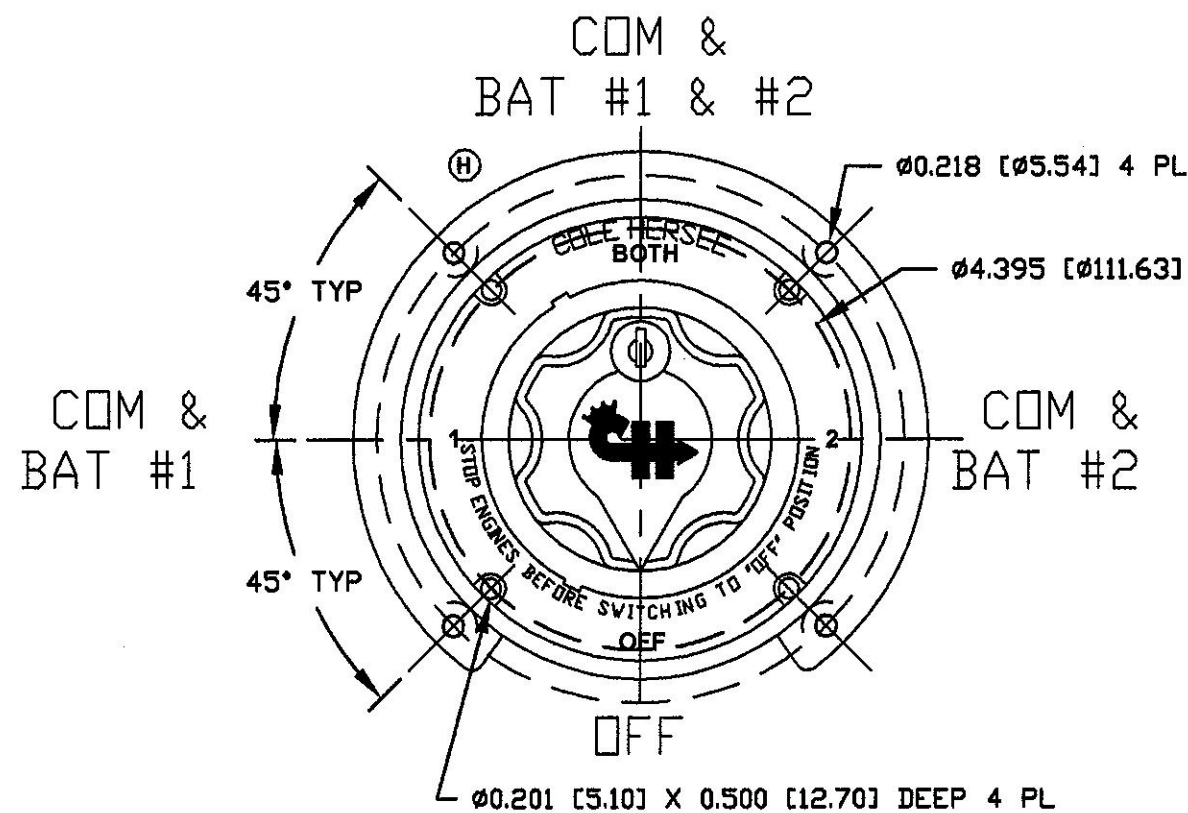
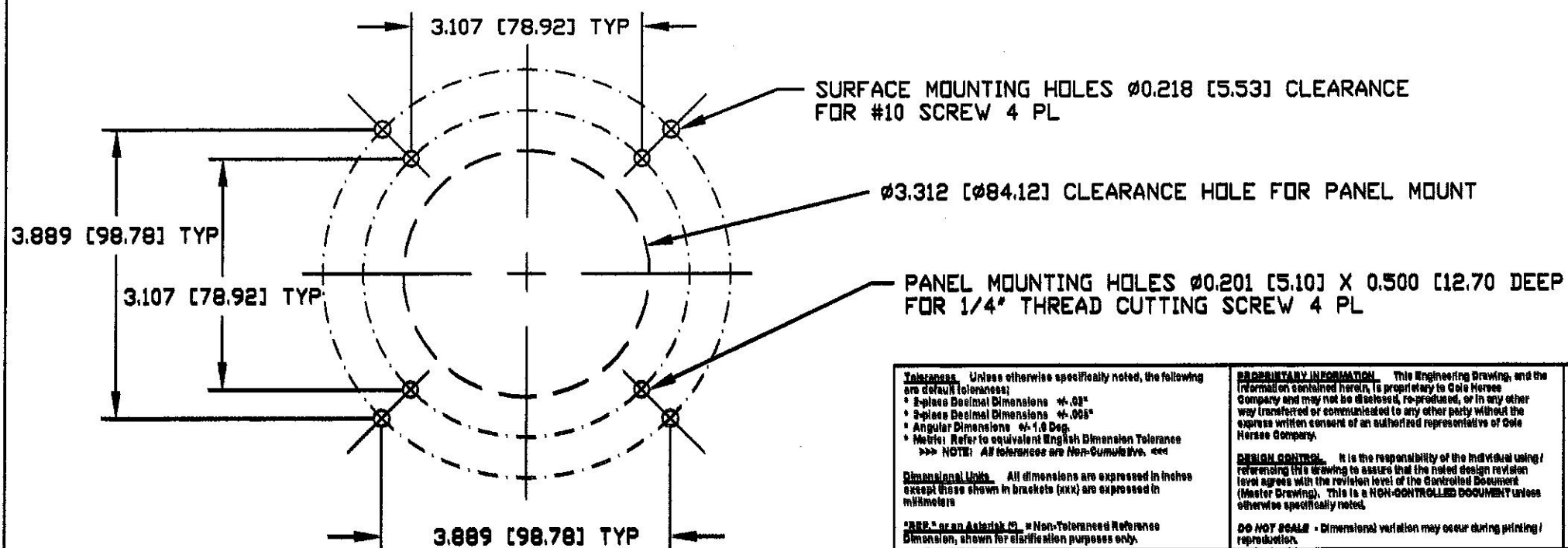


Revision Control Record			
Rev.	Description of Change	ECN No.	Date
H	DELETE "BOSTON USA"	04224	08/25/04
J	BOM CHANGE	07017	01/29/07



MOUNTING INFORMATION



- NOTES:
1. KNOB LOCKED IN 'OFF' POSITION ONLY
  2. KEY REMOVEABLE WITH KNOB LOCKED OR UNLOCKED

**Tolerances:** Unless otherwise specifically noted, the following are default tolerances:  
 • 2-place Decimal Dimensions  $\pm 0.02$ "  
 • 3-place Decimal Dimensions  $\pm 0.005$ "  
 • Angular Dimensions  $\pm 1.0$  Deg.  
 • Metric: Refer to equivalent English Dimensional Tolerance  
 >>> NOTE: All tolerances are Non-Cumulative. <<<

**Dimensional Units:** All dimensions are expressed in inches except those shown in brackets (xxx) are expressed in millimeters

\*REF. or an Asterisk (\*) = Non-Tolerance Reference Dimension, shown for clarification purposes only.

Used On: M780 W/LOCK  
 or Ref: M23109A

Scale: 1:2

Drawn By: DPS

Date Drawn: 05/08/89

Responsible Engineer:

Pg. 1 of 1

**PROPRIETARY INFORMATION:** This Engineering Drawing, and the information contained herein, is proprietary to Cole Hersee Company and may not be disclosed, re-produced, or in any other way transferred or communicated to any other party without the express written consent of an authorized representative of Cole Hersee Company.

**DESIGN CONTROL:** It is the responsibility of the individual using/reviewing this drawing to assure that the noted design revision level agrees with the revision level of the Controlled Document (Master Drawing). This is a NON-CONTROLLED DOCUMENT unless otherwise specifically noted.

**DO NOT SCALE:** Dimensional variation may occur during printing/reproduction.

**Special Characteristics:**

- ◆ Critical Characteristic, relating to Safety and/or Regulatory Compliance
  - X Significant Characteristic relating to Process Control (SPC)
  - Ⓚ Control Dimension relating to Form - Fit - Function as defined by Cole Hersee Company and/or the Customer
- (Note that the identification of any Characteristics as being "Special" does not alter the requirement that ALL specified dimensions & tolerances must be met.)

**Cole Hersee Co.**  
 20 Old Colony Ave., South Boston, MA, 02127  
 Phone: 617-266-2100 Web: www.colehersee.com

**Description:** SW BAT SELECTOR WITH LOCK

**Drawing/Part No.:** M-751

**Responsible Engineer:** J