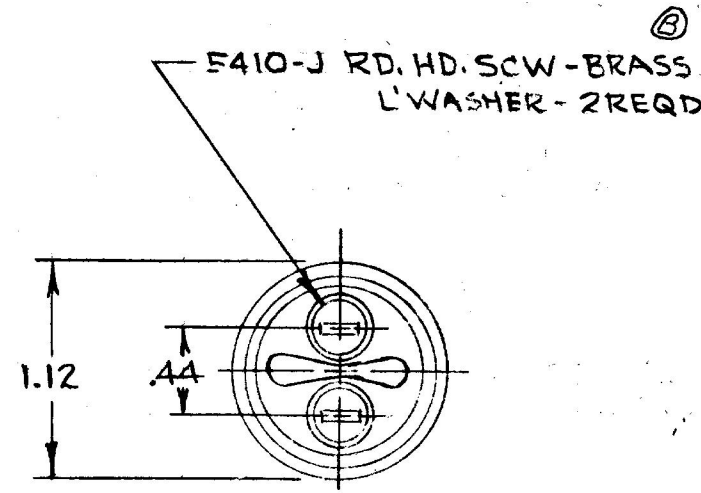
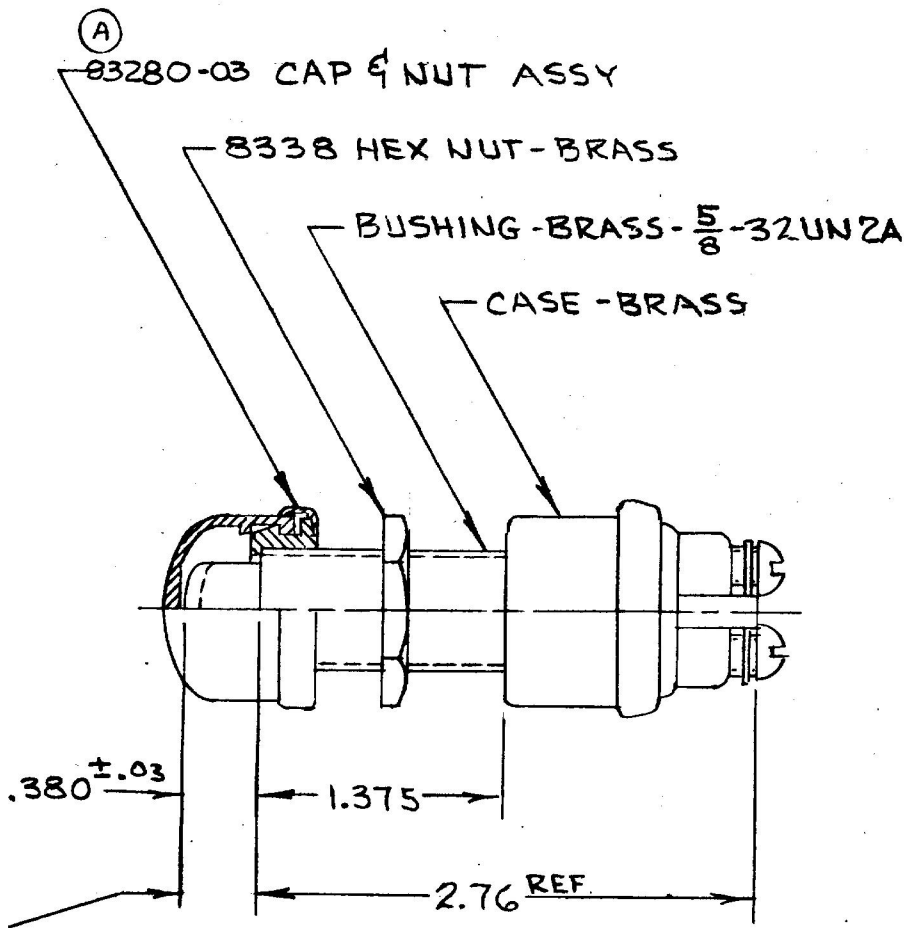


COLE-HERSEE CO.

MFM

M626-02



CONTACTS NORMALLY OPEN.  
CLOSE WITH PLUNGER DEPRESSED  
.060 - .120 & THRU REMAINDER  
OF TRAVEL.

CURRENT RATINGS	
35 AMPS	12V. DC
20 AMPS	24V DC

DO NOT SCALE

PEEBODY GALLION

LET	WAS	DATE	BY	LET	WAS	DATE	BY	MATERIAL	DRAWN	CHECKED	APPR'D	SCALE	USED ON	DATE DRAWN
									RJF	CB			M626 w/ 83280 CAP	3-1-71
				B	ECN 23741	5-19-88	JK		<b>COLE-HERSEE COMPANY</b> BOSTON, MASS. 02127, U.S.A.					DATE BLUEPRINT
			A	83280	20662	8-2-79	JV	TOLERANCE UNLESS SPECIFIED 2 DECIMAL + .010 3 DECIMAL + .005 ANGULAR + 2°						NAME
			T	RELEASE		8-25-71	JF							