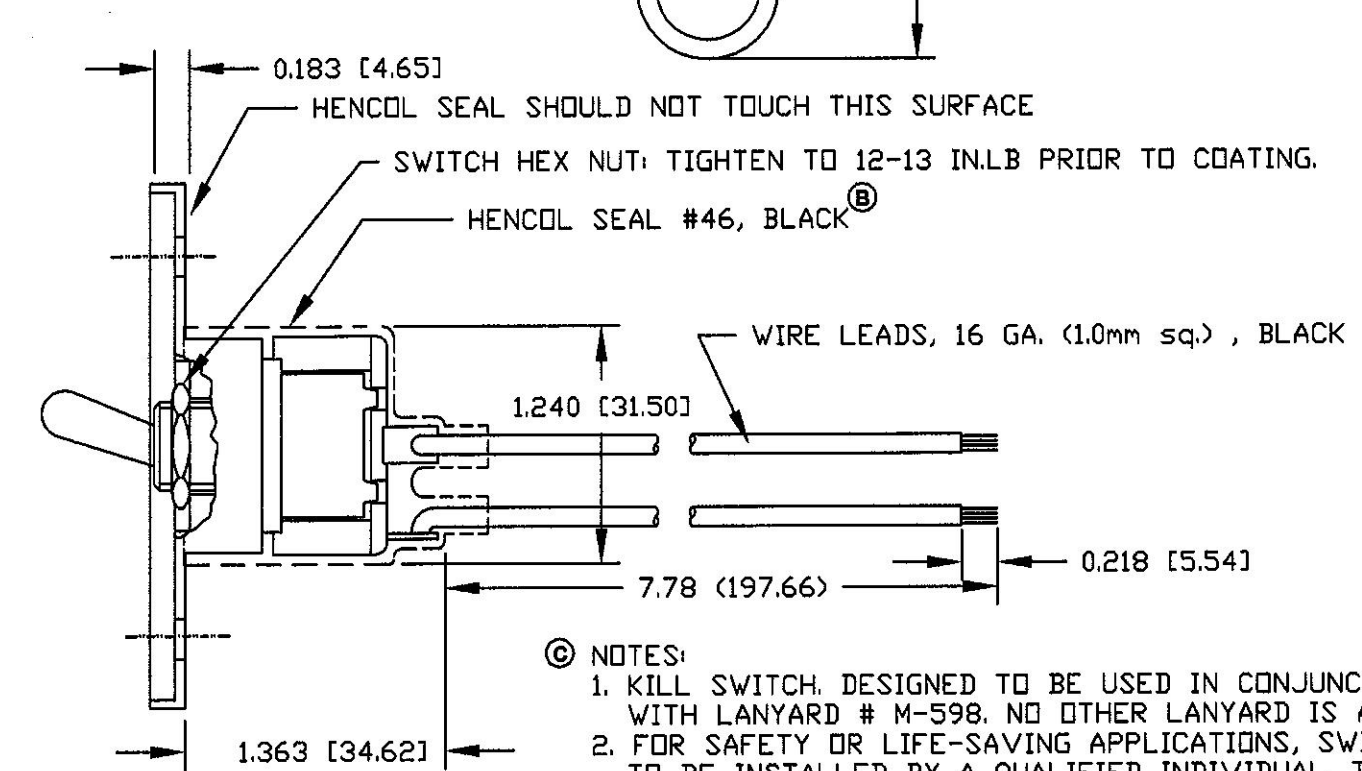
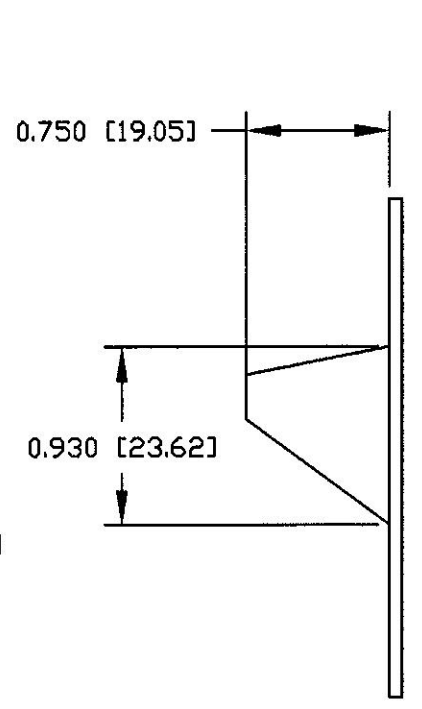
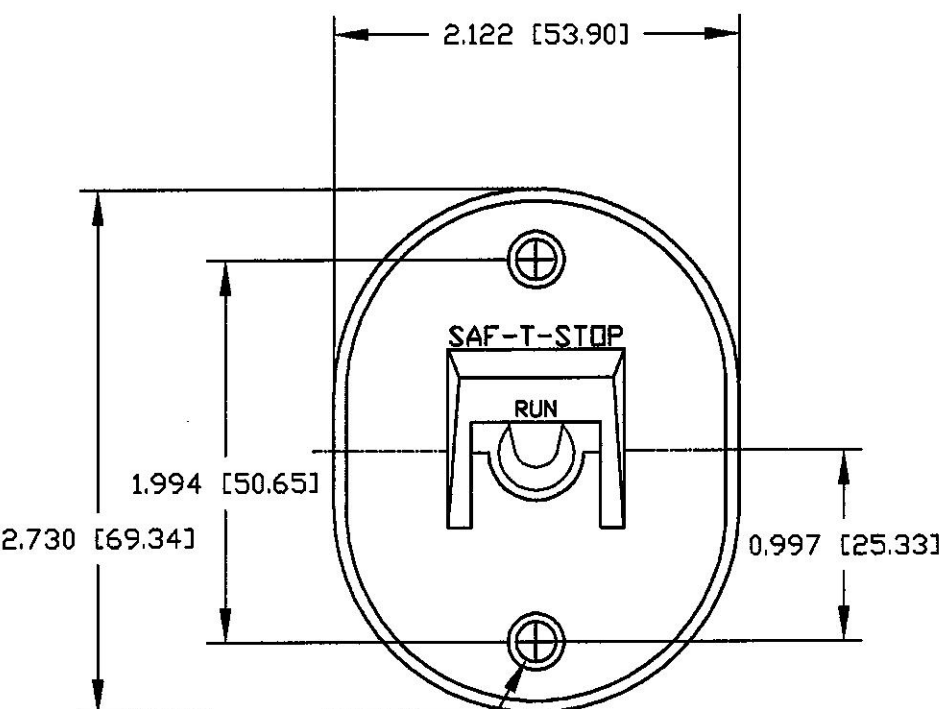
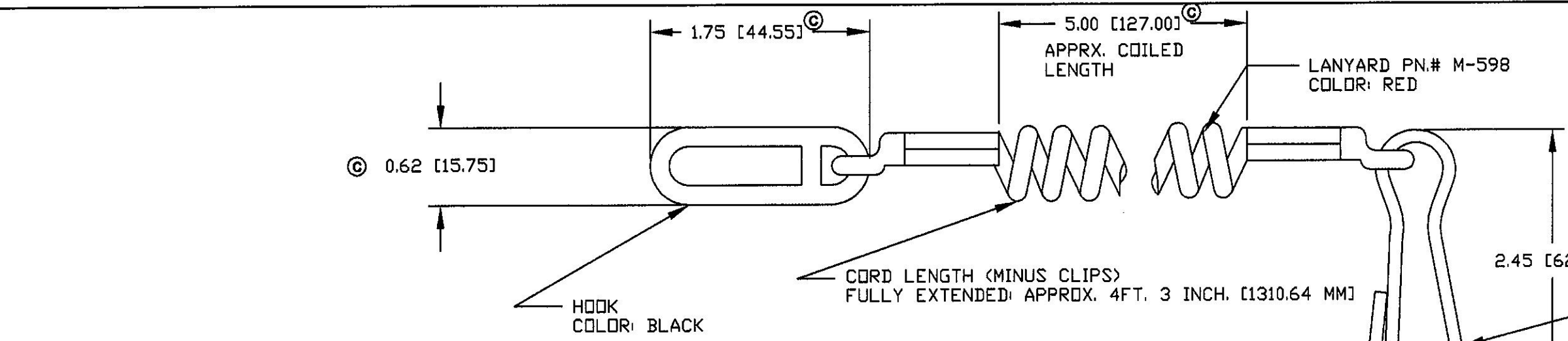


Revision Control Record

| Rev. | Description of Change | ECN No. | Date |
|------|-----------------------|---------|----------|
| A | RELEASED | 01732 | 12/11/01 |
| B | CALLOUT HENCOL | 04112 | 03/18/04 |
| C | DIM'S & NOTES | 07140 | 05/08/07 |



- © NOTES:
1. KILL SWITCH, DESIGNED TO BE USED IN CONJUNCTION WITH LANYARD # M-598. NO OTHER LANYARD IS ALLOWED.
 2. FOR SAFETY OR LIFE-SAVING APPLICATIONS, SWITCH IS TO BE INSTALLED BY A QUALIFIED INDIVIDUAL. THE USER ASSUMES ALL RESPONSIBILITY FOR DETERMINING THE SUITABILITY OF THIS PRODUCT FOR THEIR APPLICATION.
 3. RATING: 10AMPS @12-24VDC, RESISTIVE LOAD. IT IS RECOMMENDED THAT THE SWITCH BE REPLACED AFTER 5,000 ENGINE CUT-OFF OPERATIONS OR WHENEVER THE SWITCH HAS BEEN SUBMERGED.
 4. OPERATING TEMP RATING: -20°C TO 70°C.
 5. ALL DIMENSIONS ARE REFERENCE ONLY, UNLESS NOTED OTHERWISE.

Ø0.210 2 PL. [Ø5.33]

Tolerances: Unless otherwise specifically noted, the following are default tolerances:
 * 2-place Decimal Dimensions ±.02"
 * 3-place Decimal Dimensions ±.005"
 * Angular Dimensions ±1.0 Deg.
 * Metric: Refer to equivalent English Dimension Tolerances
 ** NOTE: All tolerances are Non-accumulative. **

Dimensional Units: All dimensions are expressed in inches except those shown in brackets (xxx) are expressed in millimeters

Use On or Ref: EX-27551

PROPRIETARY INFORMATION: This Engineering Drawing, and the information contained herein, is proprietary to Cole Hersee Company and may not be disclosed, reproduced, or in any other way transferred or communicated to any other party without the express written consent of an authorized representative of Cole Hersee Company.

REVISION CONTROL: It is the responsibility of the individual using/referencing this drawing to assure that the noted design revision level agrees with the revision level of the Controlled Document (Master Drawing). This is a NON-CONTROLLED DOCUMENT unless otherwise specifically noted.

DO NOT SCALE: Dimensional variation may occur during printing/reproduction.

Scale: **1:1**

Drawn By: **GA**

Date Drawn: **12/06/01**

Key for Special Characteristics:

- ⊕ Critical Characteristic, relating to Safety and/or Regulatory Compliance
- X Significant Characteristic relating to Process Control (SPC)
- Ⓢ Control Dimension relating to Form - Fit - Function as defined by Cole Hersee Company and/or the Customer

(Note that the identification of any Characteristics as being "Special" does not alter the requirement that ALL specified dimensions & tolerances must be met.)

Responsible Engineer: **G. AUGUSTE**

Pg. 1 of 1

Cole Hersee Co.
 20 Old Colony Ave., South Boston, MA, 02127
 Phn: 617-268-2100 Web: www.colehersee.com

Description:
SW. GUARD ASSY.

Drawing / Part No.:
M-597

Current Rev.:
C