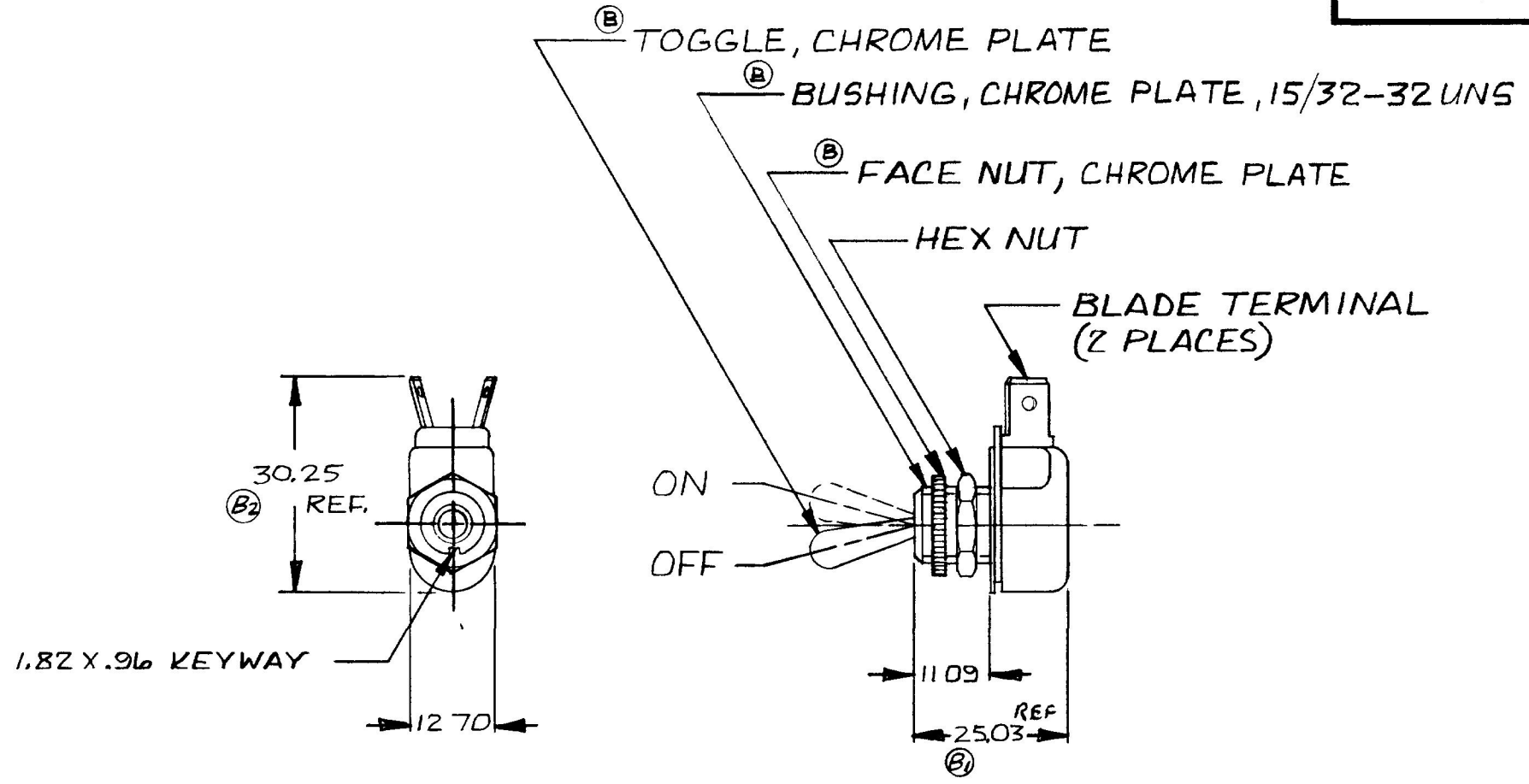


MM IN

25	.010
11.09	4.37
12.70	.500
25.03	1.025
30.25	1.191
.96	.038
1.82	.072

M-586

REF  
55013



METRIC

DO NOT SCALE

LET	WAS	DATE	BY	LET	WAS	DATE	BY	MATERIAL	DRAWN	CHECKED	APPRV'D	SCALE	DATE DRAWN
								—H—	EA	DPS 8 19 82		1:1	11-27-56
								FINISH —H—	 COLE HERSEE CO. 20 OLD COLONY AVENUE SOUTH BOSTON MA U.S.A. 02127				DATE BLUEPRINT
				B	MATERIAL / 21749	8-9-82	(C)						
				B1	.937	B2	1.281		TOLERANCES DECIMAL ± METRIC ± .75				
				A	REDRAWN	11-19-81	(E)						
												TOGGLE SWITCH	M-586

CH-188(4-78)