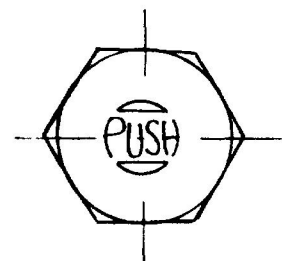
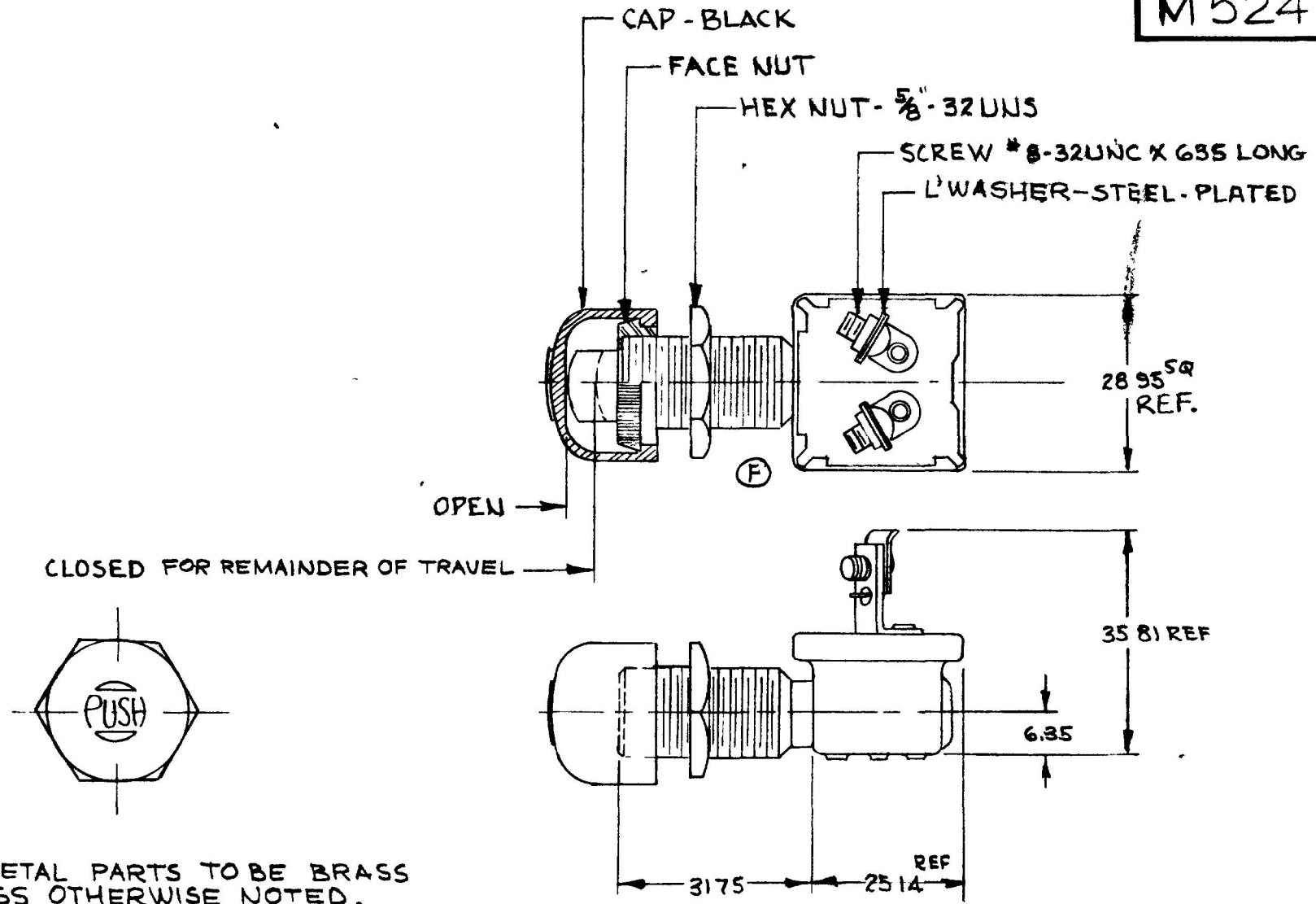


MM IN
 0.25 010
 6.35 250
 25.4 990
 28.95 1140
 31.75 1250
 35.81 1410

M524



NOTES:
 1. ALL METAL PARTS TO BE BRASS UNLESS OTHERWISE NOTED.
 2. CAP AND HARDWARE SHIPPED LOOSE

METRIC

DO NOT SCALE

LET	WAS	DATE	BY	LET	WAS	DATE	BY	MATERIAL	DRAWN	CHECKED	APPRV D	SCALE	DATE DRAWN				
									EA	RJA		1:1	2-6-64				
								FINISH	 2000 COLON ENUE SOU BOS ON US 022				DATE BLUEPRINT				
				G	ECN #19173	5/13/61	JRF										
				F	ECN 27164 ADDED CUTOUT	12-31-62	Jap	TOLERANCES DECIMAL ± METRIC ±0.25									
				E	REDRAWN	3-24-67	ZU		MOM. SWITCH NO				M524				

CH 188(4 78)