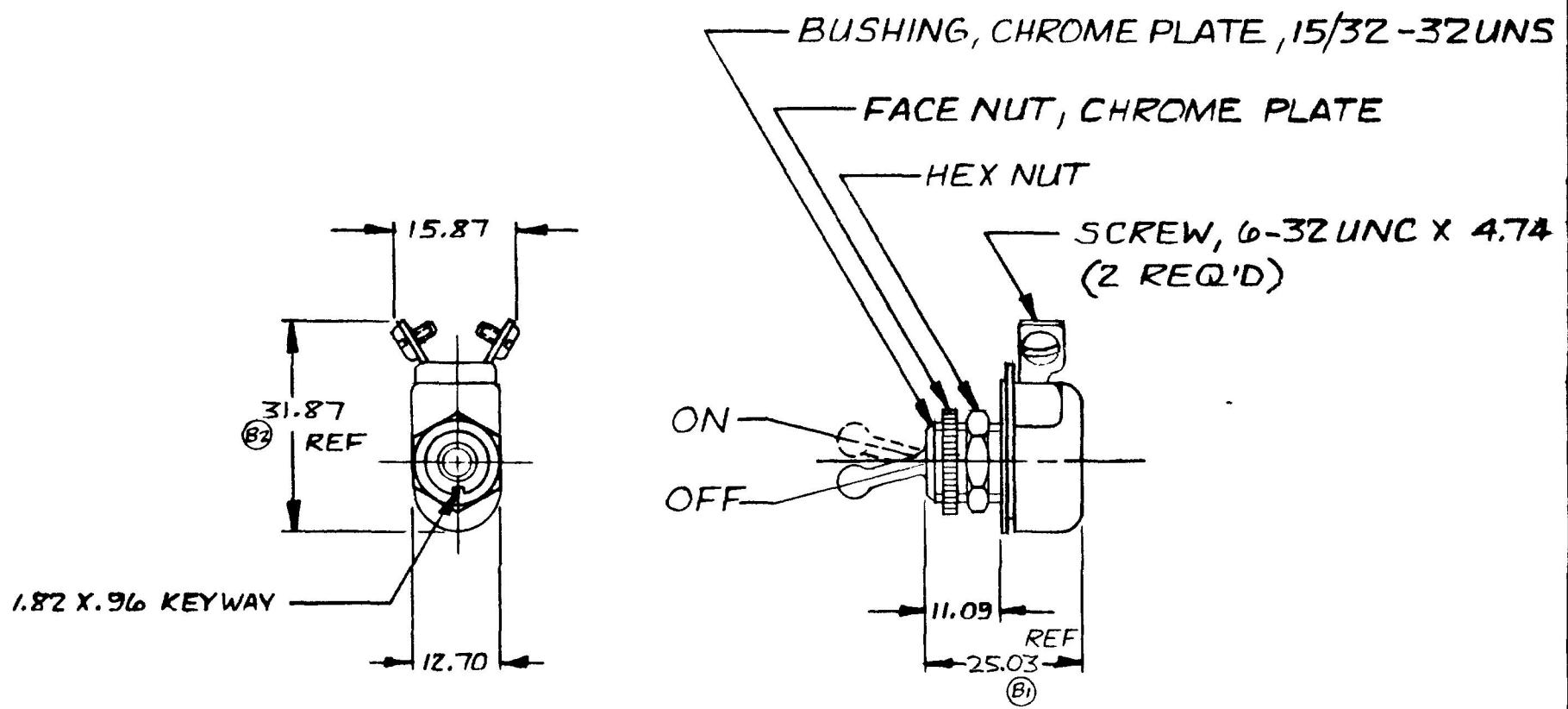


| MM | IN |
|-------|-------|
| .25 | .010 |
| .96 | .038 |
| 1.82 | .072 |
| 11.09 | .437 |
| 12.70 | .500 |
| 25.03 | 1.025 |
| 31.87 | 1.255 |
| 41.14 | 1.617 |
| 15.87 | .625 |

REF
5507

M 493



METRIC

DO NOT SCALE

| LET | WAS | DATE | BY | LET | WAS | DATE | BY | MATERIAL | DRAWN | CHECKED | APPRV D | SCALE | DATE DRAWN | |
|-----|-----|------|----|----------|---------------|-------|--------|----------|--|---------|---------|-------|----------------|-------|
| | | | | | | | | H | RJS | DPS | | 1:1 | 7-6-54 | |
| | | | | | | | | FINISH | Cole Hersee Co. <small>20 OLD COL. ST. LYNN, MASS. SOUTH BOSTON MA U.S.A. 02127</small> | | | | DATE BLUEPRINT | |
| | | | | | | | | H | | | | | | |
| | | | | B | NICKEL PLATED | 21749 | 8-9-82 | (B2) | TOLERANCES DECIMAL ± METRIC ± | | | | | |
| | | | B1 | RE-DRAWN | 237 | B2 | 1.281 | 8-9-82 | | | | | (B1) | |
| | | | | | | | | | | | | | TOGGLE SWITCH | M 493 |

CH-188(4-78)