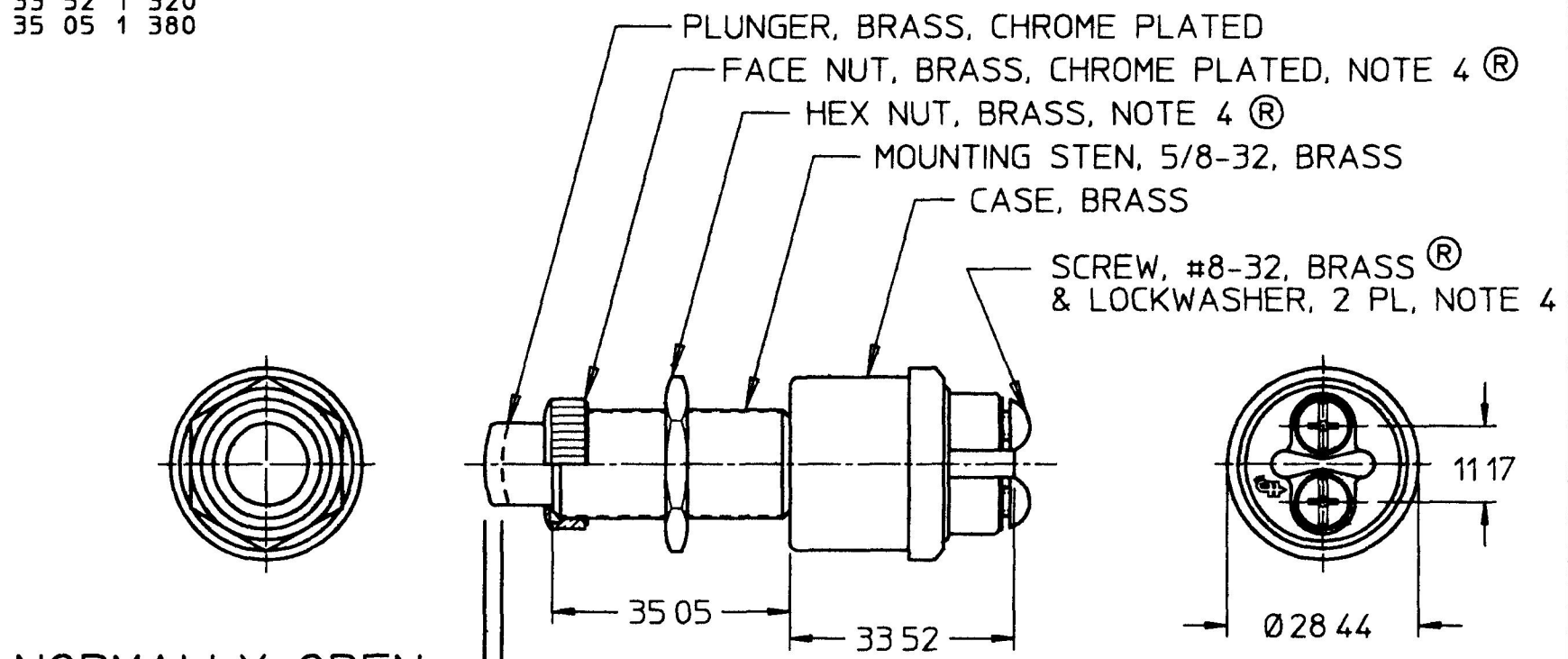


M490

MM	IN
11 17	0 440
28 44	1 120
33 52	1 320
35 05	1 380



NORMALLY OPEN
CLOSED
SELF RETURN TO NORMALLY OPEN POSITION

- (R) NOTES
- 1 ALL DIMENSIONS ARE REFERENCE ONLY
 - 2 SILVERED CONTACT SURFACES
 - 3 RATING
12V DC 35 AMPS
24V DC 20 AMPS
 - 4 PARTS MAYBE ASSEMBLED OR SUPPLIED IN A BAG

METRIC

DO NOT SCALE

LET	WAS	DATE	BY	LET	WAS	DATE	BY	MATERIAL	DRAWN	CHK	APVD	SCALE	DATE DRAWN
									RD	JMP		11	12/14/53
								FINISH	Cole Hersee Co. 20 OLD COLONY AVENUE, BOSTON, MA., U.S.A., 02127				DATE BLUEPRINTED
				R	ECN #26936	7/24/97	AJS	TOLERANCES	SW, P-P, MOM				M490
				P	PUT ON CAD	7/26/96	DPS	DECIMAL ± ANGLE ±					