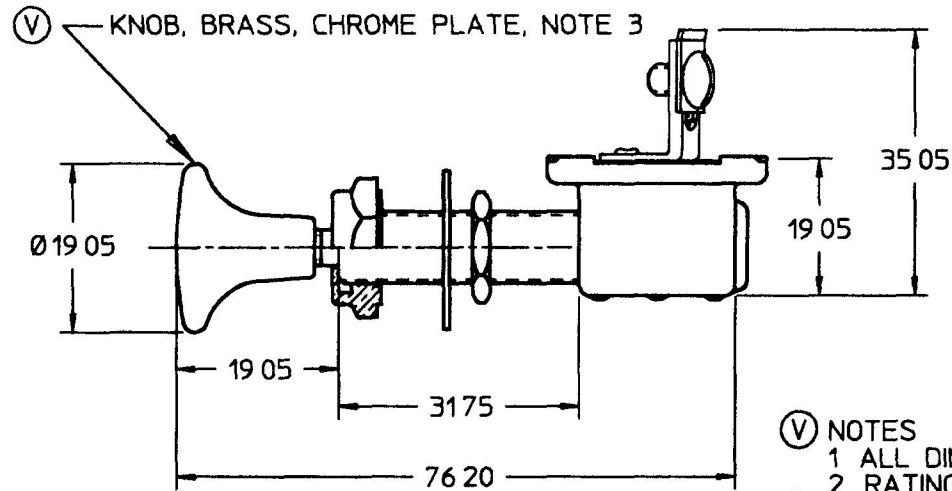
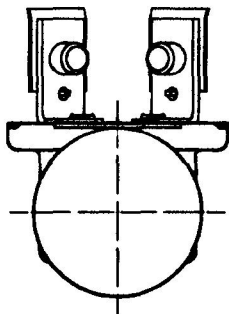
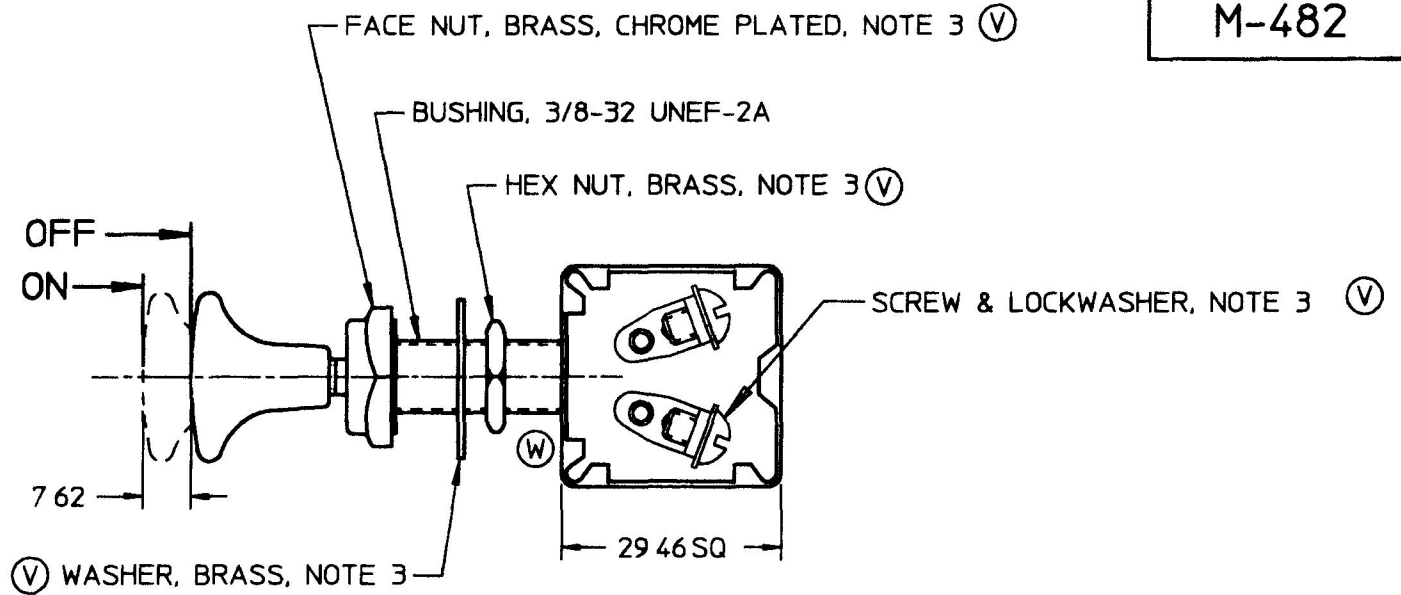


MM	IN
7 62	0 300
19 05	0 750
29 46	1 160
31 75	1 250
35 05	1 380
76 20	3 000

M-482



- (V) NOTES  
 1 ALL DIMENSIONS ARE REFERENCE  
 2 RATING 12 VDC, 10 AMPS  
 (X) 3 KNOB AND HARDWARE SHIPPED LOOSE

METRIC

DO NOT SCALE

LET	WAS	DATE	BY	LET	WAS	DATE	BY	MATERIAL	DRAWN	CHK	APVD	SCALE	DATE DRAWN
									EA	DB		11	12/6/48
								FINISH	<b>Cole Hersee Co.</b> 20 OLD COLONY AVENUE, BOSTON, MA, U.S.A. 02127				DATE BLUEPRINTED
				X	ECN #99173	05/13/99	JRF						
				W	ECN #27164 ADDED CUTOUT ON EAR	12/17/97	JMP	TOLERANCES					
				V	PUT ON CAD ECN #26936	7/29/97	AJS	DECIMAL ± ANGLE ±	SW, PUSH-PULL				M-482