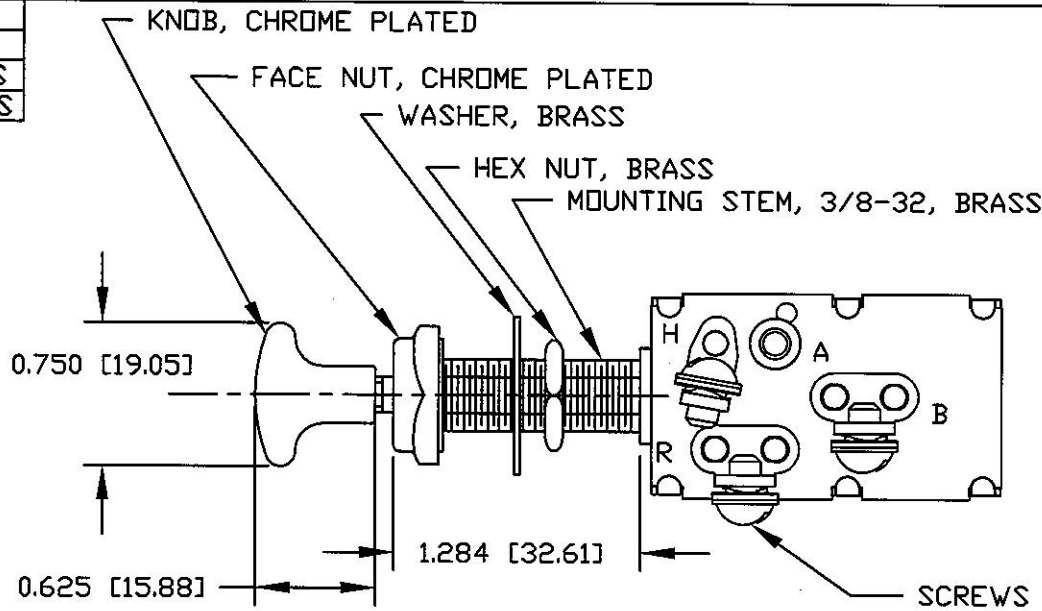
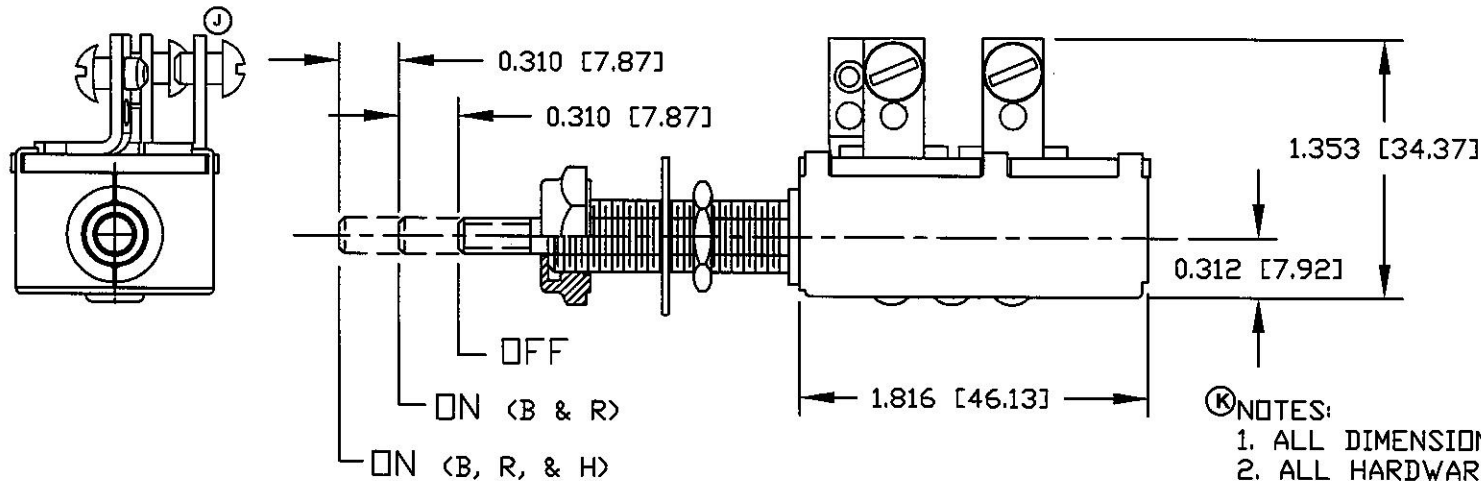


LEGEND	
B	BATTERY
R	ANCHOR LIGHTS
H	RUNNING LIGHTS



**Revision Control Record**

Rev.	Description of Change	ECN No.	Date
G	NEW TERM INSUL SA CASE SA	00719	10/18/00
H	NOTE CHANGE	06263	07/27/06
J	DELETE LOCKWASHER VIEW	08776	12/17/08
K	ADD NOTES	10009	01/12/10



- NOTES:**
1. ALL DIMENSIONS ARE REFERENCE
  2. ALL HARDWARE ASSEMBLED

**Tolerances** Unless otherwise specifically noted, the following are default tolerances;

- \* 2-place Decimal Dimensions  $\pm .02"$
  - \* 3-place Decimal Dimensions  $\pm .005"$
  - \* Angular Dimensions  $\pm 1.0$  Deg.
  - \* Metric: Refer to equivalent English Dimension Tolerance
- >>> NOTE: All tolerances are Non-Cumulative. <<<

**Dimensional Units** All dimensions are expressed in inches except those shown in brackets (xxx) are expressed in millimeters

"REF." or an Asterisk (\*) = Non-Toleranced Reference Dimension, shown for clarification purposes only.

**PROPRIETARY INFORMATION** This Engineering Drawing, and the information contained herein, is proprietary to Cole Hersee Company and may not be disclosed, re-produced, or in any other way transferred or communicated to any other party without the express written consent of an authorized representative of Cole Hersee Company.

**DESIGN CONTROL** It is the responsibility of the individual using / referencing this drawing to assure that the noted design revision level agrees with the revision level of the Controlled Document (Master Drawing). This is a NON-CONTROLLED DOCUMENT unless otherwise specifically noted.

DO NOT SCALE - Dimensional variation may occur during printing / reproduction.

**Key for Special Characteristics:**

- CC Critical Characteristic, relating to Safety and/or Regulatory Compliance
- X Significant Characteristic relating to Process Control (SPC)
- CD Control Dimension relating to Form - Fit - Function as defined by Cole Hersee Company and/or the Customer

(Note that the identification of any Characteristics as being "Special" does not alter the requirement that ALL specified dimensions & tolerances must be met.)



**Cole Hersee Co.**

20 Old Colony Ave., South Boston, MA, 02127  
Phn: 617-268-2100 Web: www.colehersee.com

**Description:**

**3 POS LIGHT SWITCH**

**Drawing / Part No.:**

**M-476**

**Current Rev.:**

**K**

Used On or Ref.:

Scale: **1:1**

Drawn By: **JWH**

Date Drawn: **2/26/46**

Responsible Engineer: **JRV**

Pg. 1 of 1