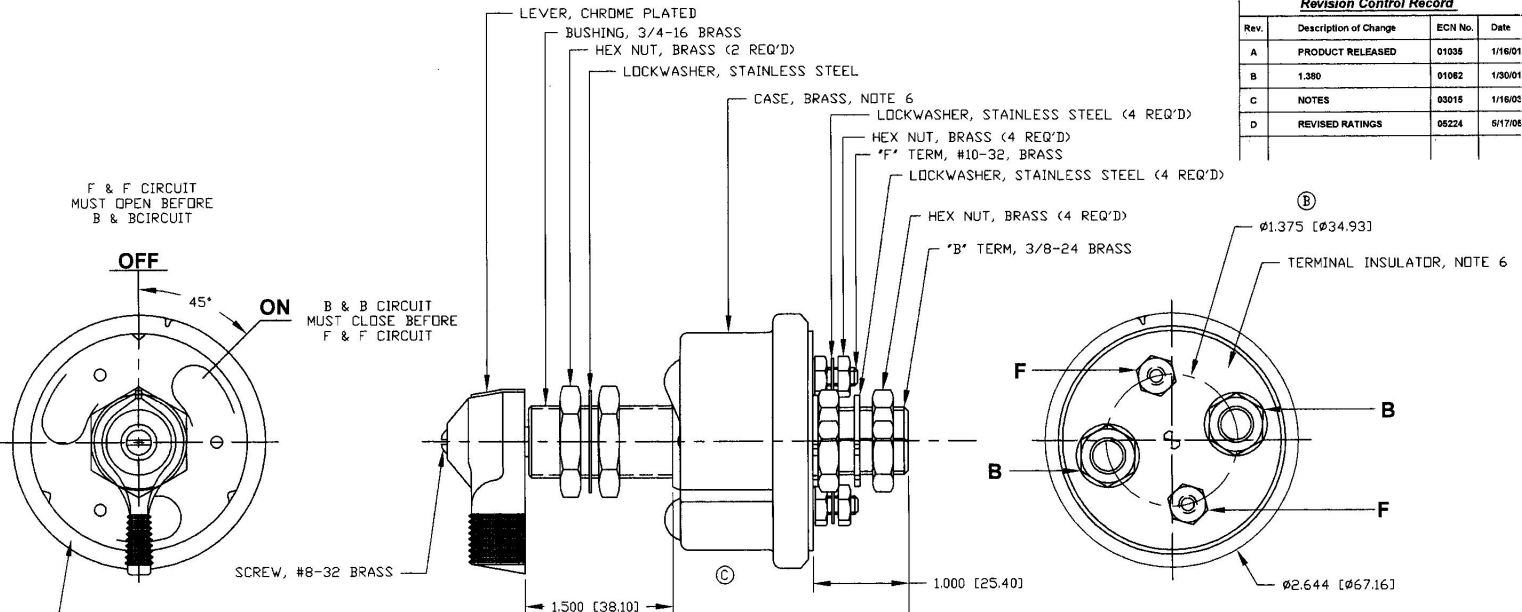


**Revision Control Record**

Rev.	Description of Change	ECN No.	Date
A	PRODUCT RELEASED	01036	1/16/01
B	1.380	01082	1/30/01
C	NOTES	03016	1/16/02
D	REVISED RATINGS	05224	5/17/05



C  
 STAMP PART NUMBER & DATE CODE AT RANDOM LOCATION

- NOTES:  
 1. O-RING IN BUSHING  
 2. ALL STEEL PARTS PLATED  
 3. SILVER CONTACTS  
 4. CONTINUOUS RATING: 6-12-24-36 VOLTS D.C., LARGE STUDS 175 AMPS, SMALL STUDS 20 AMPS  
 ① INTERMITTENT RATING: 6-12-24-36 VOLTS D.C., LARGE STUDS 1000 AMPS, 15 SECONDS ON, 5 MINUTES OFF  
 5. ALL DIMENSIONS REFERENCE ONLY  
 6. GASKET SEAL BETWEEN CASE AND TERMINAL INSULATOR

**TOLERANCES:** Unless otherwise specifically noted, the following are default tolerances:  
 • 3-place Decimal Dimensions  $\pm .02$   
 • 2-place Decimal Dimensions  $\pm .05$   
 • Angular Dimensions  $\pm 1.0$  Deg.  
 • Holes: Holes to standard English Dimension Tolerance  
 \*\*\* NOTE: All References are Non-Cumulative. \*\*\*

**Dimensional Units:** All dimensions are expressed in inches except those shown in brackets (mm) are expressed in millimeters

**ASM - An Ashcroft Co. - Non-Toleranced Reference Dimension:** unless for construction purposes only.

Used On: **EX27508**  
 or Ref.

**PROPRIETARY INFORMATION:** This Engineering Drawing, and the information contained herein, is proprietary to Cole Hersee Company and may not be disclosed, reproduced, or in any other way transferred or communicated to any other party without the express written consent of an authorized representative of Cole Hersee Company.

**DESIGN CONTROL:** It is the responsibility of the individual using/referencing this drawing to ensure that the latest design revision (see legend) with the revision level of the Controlled Document (Master Drawing) is a NON-CONTROLLED DOCUMENT unless otherwise specifically noted.

**DO NOT SCALE:** Dimensional variation may occur during printing/reproduction.

Drawn By: **PEM**  
 Date Drawn: **11/27/00**

**Special Characteristics:**

- Critical Characteristics, relating to Safety and/or Regulatory Compliance
- Significant Characteristics relating to Process Control (PPC)
- Critical Dimension relating to Form - Fit - Function as defined by Cole Hersee Company and/or the Customer

Note that the identification of any Characteristics as being "Special" does not alter the requirement that ALL specified dimensions & tolerances must be met.

Responsible Engineer: **DPS**  
 Pg. 1 of 1

**Cole Hersee Co.**  
 20 Old Colony Ave., South Boston, MA, 02127  
 Phn: 617-265-2100 Web: www.colehersee.com

**Description:** MASTER DISCONNECT SWITCH

Drawing / Part No.: **M-290-07**  
 Current Rev.: **D**