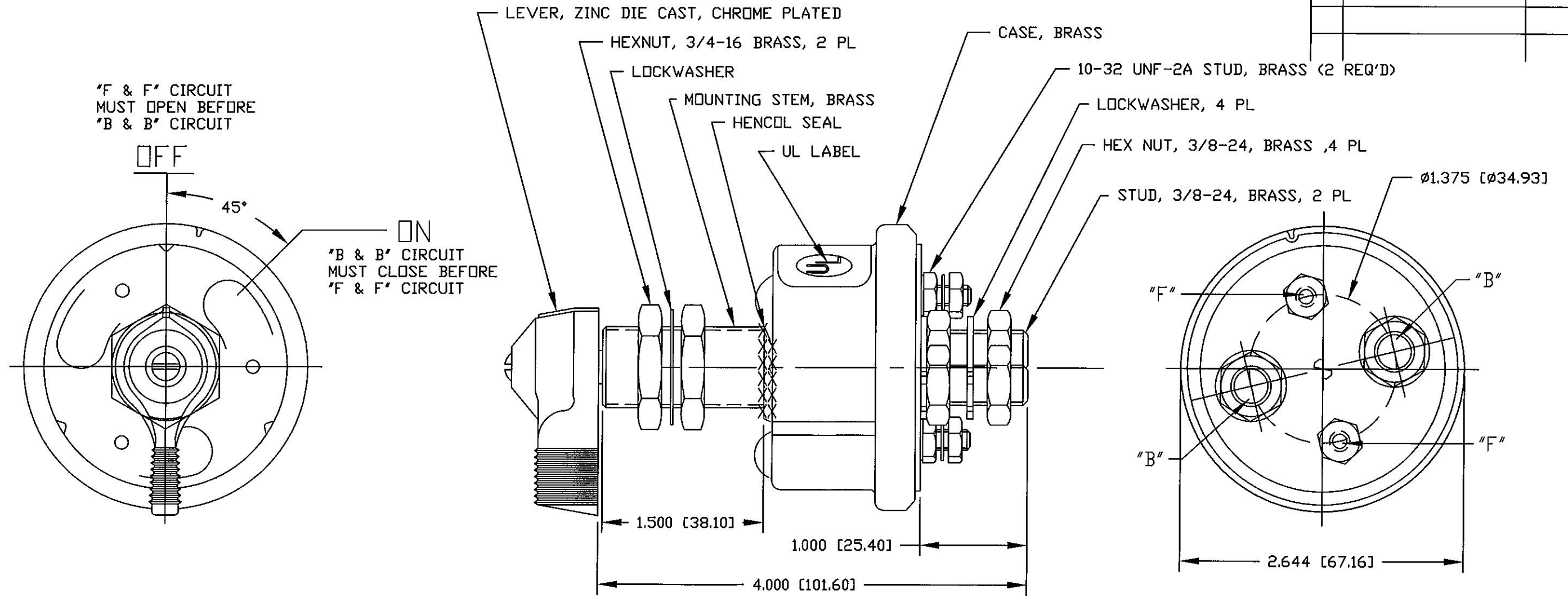


**Revision Control Record**

Rev.	Description of Change	ECN No.	Date
A	BOM CHANGE	06057	02/22/06
B	BOM CHANGE	10177	4/30/10



**ELECTRICAL RATING**

**LARGE STUDS:** 125 AMPS CONTINUOUS AT 6-35 VOLTS DC  
800 AMPS INTERMITTENT, 15 SECPMDS PM.  
5 MINUTES OFF AT 6-36 VOLTS DC

**SMALL STUDS:** 20 AMPS CONTINUOUS AT 6-36 VOLTS DC

- NOTES:**
1. SILVER LAMINATED CONTACT SURFACES
  2. O-RING SEAL IN OPERATING SHAFT
  3. ALL DIMENSIONS REFERENCE ONLY
  4. ALL STEEL PARTS PLATED

<p><b>Tolerances.</b> Unless otherwise specifically noted, the following are default tolerances:</p> <ul style="list-style-type: none"> <li>* 2-place Decimal Dimensions +/- .02"</li> <li>* 3-place Decimal Dimensions +/- .005"</li> <li>* Angular Dimensions +/- 1.0 Deg.</li> <li>* Metric: Refer to equivalent English Dimension Tolerance</li> </ul> <p>&gt;&gt;&gt; NOTE: All tolerances are Non-Cumulative. &lt;&lt;&lt;</p> <p><b>Dimensional Units.</b> All dimensions are expressed in inches except those shown in brackets (xxx) are expressed in millimeters</p> <p>"REF." or an Asterisk (*) = Non-Toleranced Reference Dimension, shown for clarification purposes only.</p>		<p><b>PROPRIETARY INFORMATION.</b> This Engineering Drawing, and the information contained herein, is proprietary to Cole Hersee Company and may not be disclosed, re-produced, or in any other way transferred or communicated to any other party without the express written consent of an authorized representative of Cole Hersee Company.</p> <p><b>DESIGN CONTROL.</b> It is the responsibility of the individual using / referencing this drawing to assure that the noted design revision level agrees with the revision level of the Controlled Document (Master Drawing). This is a NON-CONTROLLED DOCUMENT unless otherwise specifically noted.</p> <p>DO NOT SCALE - Dimensional variation may occur during printing / reproduction.</p>		<p><b>Special Characteristics:</b></p> <ul style="list-style-type: none"> <li>⬢ Critical Characteristic, relating to Safety and/or Regulatory Compliance</li> <li>X Significant Characteristic relating to Process Control (SPC)</li> <li>Ⓞ Control Dimension relating to Form - Fit - Function as defined by Cole Hersee Company and/or the Customer</li> </ul> <p>(Note that the identification of any Characteristics as being "Special" does not alter the requirement that ALL specified dimensions &amp; tolerances must be met.)</p>		<p><b>Cole Hersee Co.</b> 20 Old Colony Ave., South Boston, MA, 02127 Phn: 617-268-2100 Web: www.colehersee.com</p>					
<p>Used On or Ref.: <b>EX26318</b></p>		<p>Scale: <b>1:1</b></p>		<p>Drawn By: <b>EB</b></p>		<p>Date Drawn: <b>05/31/96</b></p>		<p>Responsible Engineer: <b>NA</b></p>		<p>Pg. 1 of 1</p>	
<p><b>Description:</b></p> <p><b>SW, MASTER DISCONNECT</b></p>						<p><b>Drawing / Part No.:</b></p> <p><b>M-290-06</b></p>		<p><b>B</b></p>			