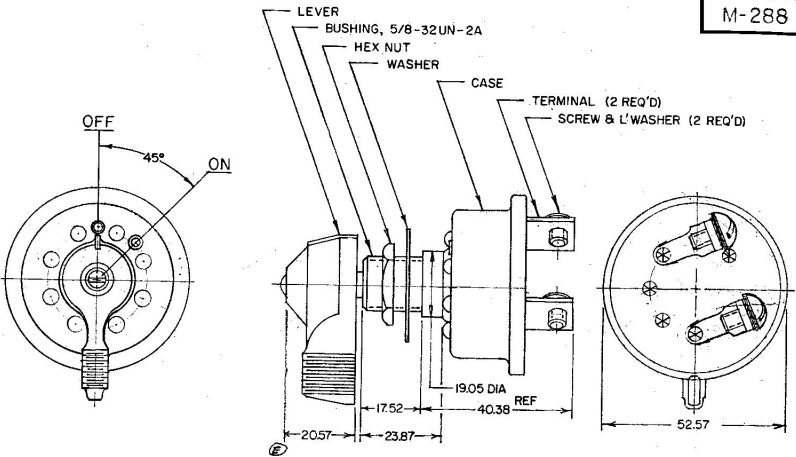


MM. 25
 17.52 .010
 19.05 .690
 20.57 .750
 23.87 .810
 30.38 .940
 37.57 1.590
 42.07 2.070

NPM 3-17-66

EX-14-147

M-288



Confidential property of Cole Hersee

- NOTE:
 1. ALL STEEL PARTS PLATED
 2. O-RING SEALED AT BUSHING
 3. SILVER CONTACT SURFACES
 4. 50 AMP RATING AT 14 VOLTS

METRIC

DO NOT SCALE

LET.	WAS	DATE	BY	LET.	WAS	DATE	BY	MATERIAL	DRAWN	CHECKED	APPR'D	SCALE	DATE DRAWN
								— / —	MF	5-2-80		1:1	10-21-65
								FINISH					DATE BLUEPRINT
				E	ECAL 01089	2-6-68							
				D	ECN.01089	1-17-68							
				C	REDRAWN								

CH: Cole Hersee Co.
 1100 COLONY PARKWAY SOUTH BOSTON, MASS. U.S.A. 02118

"OFF-ON" DISCONNECT SWITCH

M-288