

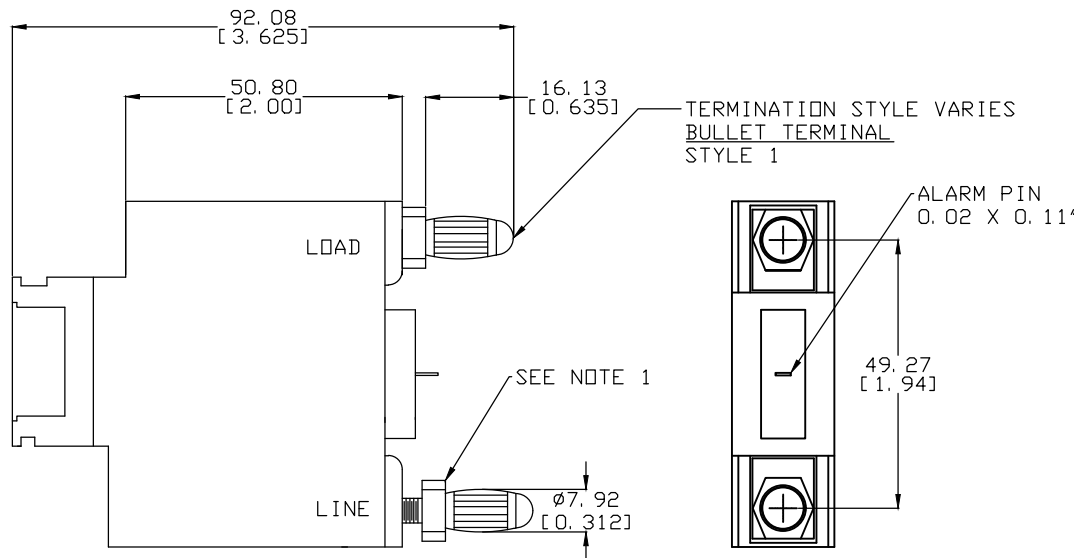
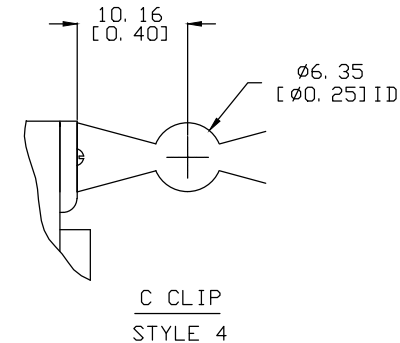
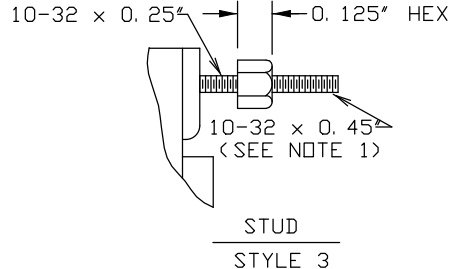
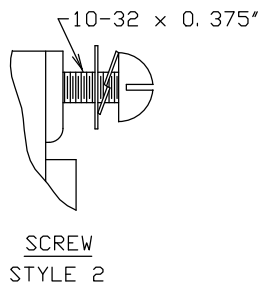
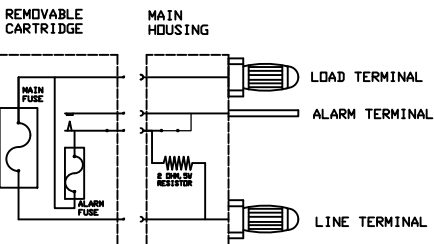
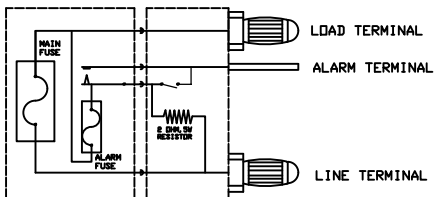
PART NO.	CAT. NO.	AMP	TERMINATION STYLE
LTFD0101ZX1	LTFD101-1	125A	1
LTFD0101ZX2	LTFD101-2	125A	2
LTFD0101ZX3	LTFD101-3	125A	3
LTFD0101ZX4	LTFD101-4	70A	4

NOTE:
1. BULLETS & STUDS ARE NOT REMOVABLE

REV		DATE	REVISION DESCRIPTION
A		2/14/23	526226GCP - RELEASE MRY

INTERNAL SCHEMATIC

ALARM CIRCUIT ACTIVATES THROUGH LINE TERMINAL



NO	COMPONENT NO	DESCRIPTION	QTY/M	U/M
BILL OF MATERIAL				
<S>		CRITICAL CHARACTERISTIC FOR PART SAFETY/COMPLIANCE		
●		DENOTES CRITICAL CHARACTERISTICS.		
CPK		DENOTES CPK DIMENSIONS, -MINIMUM CPK VALUE		
ST		DENOTES A CHARACTERISTIC THAT PROVIDES AN INDICATION OF PROCESS PERFORMANCE. PROCEDURE FOR MEASUREMENT AND TRACKING TO BE DEFINED IN LITTELFUSE INSPECTION INSTRUCTIONS.		
CP		DENOTES CP DIMENSIONS, -MINIMUM CP VALUE MUST BE WITHIN THE DIMENSIONAL LIMITATIONS SHOWN ON DRAWING AND INITIALLY LOCATED TO ALLOW FOR MAXIMUM TOOL LIFE.		B
MATL SPEC		FINISH		
DRW myork	DATE 2/13/23	SCALE NTS	FINISH GOOD WT GRAMS/PIECE	
UNLESS OTHERWISE SPECIFIED, DIMENSIONS ARE IN MILLIMETERS, DIMENSIONS IN BRACKETS [] ARE INCHES DIMENSIONING AND DO NOT INCLUDE PLATING. TOLERANCING TO BE INTERPRETED IN ACCORDANCE WITH ANSI Y14.5M-1994				
3RD ANGLE PROJECTION				
TITLE LTFD0101ZX1 THRU ZX4 OUTLINE				
Littelfuse CHICAGO, ILLINOIS 60631		REVISION A	DRWG NO. OL-LTFD0101	SHEET 1 OF 1