

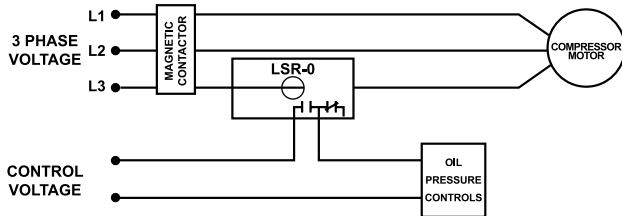
# LSR-0

Self-powered load sensor/low-cost proof relay

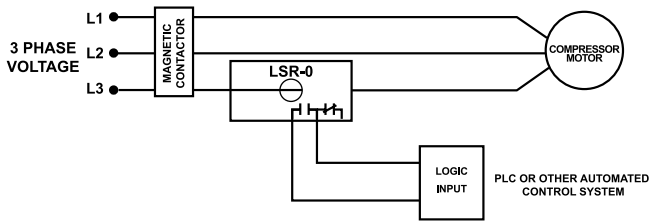


## Wiring Diagram

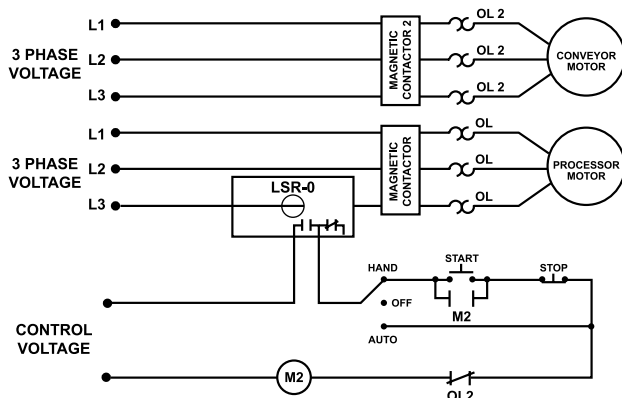
TYPICAL WIRING DIAGRAM FOR REFRIGERATION AND OIL FAILURE CONTROL



TYPICAL WIRING DIAGRAM FOR BUILDING AUTOMATION



TYPICAL WIRING DIAGRAM FOR BUILDING AUTOMATION



## Description

The LSR-0 is a self-powered load sensor intended for use as a proof relay. It is used to verify that current is flowing as intended. It has a guaranteed 15A pull-in current and 2.5A drop-out current. Proof relays are typically used to interlock fans, compressors, motors, heating elements and other devices. The LSR-0 is self-powered, that is, it draws its power from the wire being monitored so it does not require separate control power wiring.

## Features

- Self-powered
- Low cost proof relay
- Can monitor up to 135A loads

## Specifications

<b>Max Current Ratings</b>	135A continuous
<b>Functional Characteristics</b>	
<b>Turn-on Threshold</b>	Fixed, 15A (max.)*
<b>Turn-off Threshold</b>	2.5A (min.)
<b>Power</b>	Induced from conductor
<b>Isolation</b>	600VAC rms
<b>Output Characteristics</b>	
<b>Relay Output Rating:</b>	
<b>Pilot Duty</b>	480VA @ 240VAC
<b>General Purpose</b>	10A
<b>General Characteristics</b>	
<b>Temperature Range</b>	-20° to 70°C (-4° to 158°F)
<b>Wire Size</b>	#12-24AWG
<b>Hole Size</b>	0.725" diameter
<b>Terminal Torque</b>	7 in.-lbs.
<b>Safety Marks</b>	
<b>CSA, CSA-NRTL/C</b>	(File #46510)
<b>CE</b>	
<b>Dimensions</b>	<b>H</b> 42.42 mm (1.67"); <b>W</b> 58.42 mm (2.3"); <b>D</b> 90.43 mm (3.56")
<b>Weight</b>	0.35 lb. (5.6 oz., 158.76 g)
<b>Mounting Method</b>	Four #6 screws 3/4" in length

\*Conductors may be looped for smaller motor applications.

**Caution:** This product should not be relied upon solely for safety of life or safety applications.