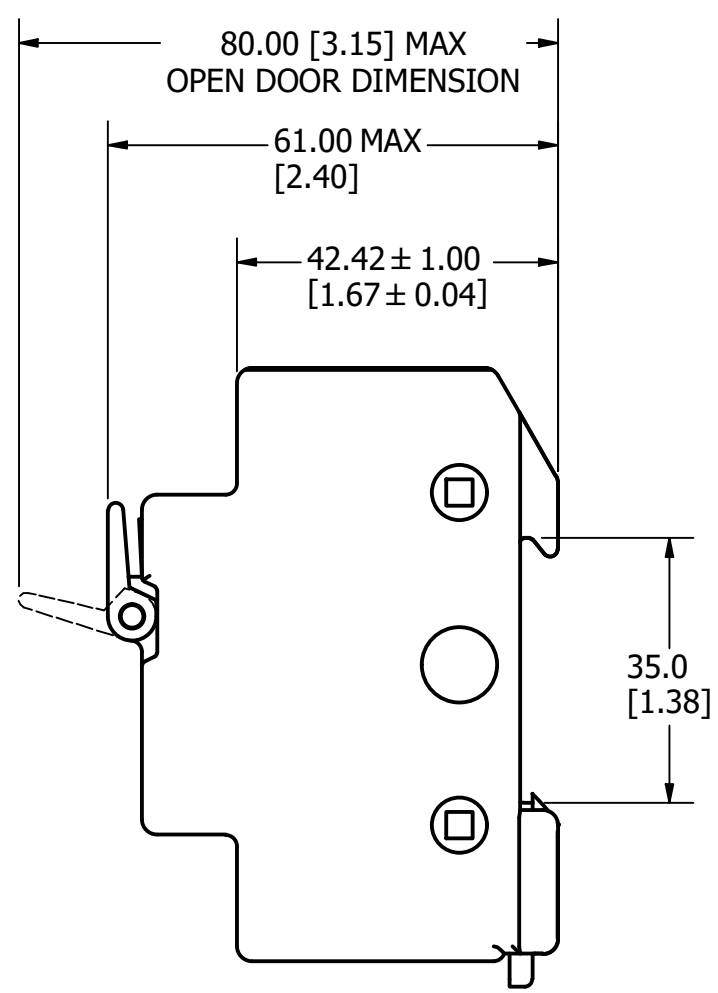
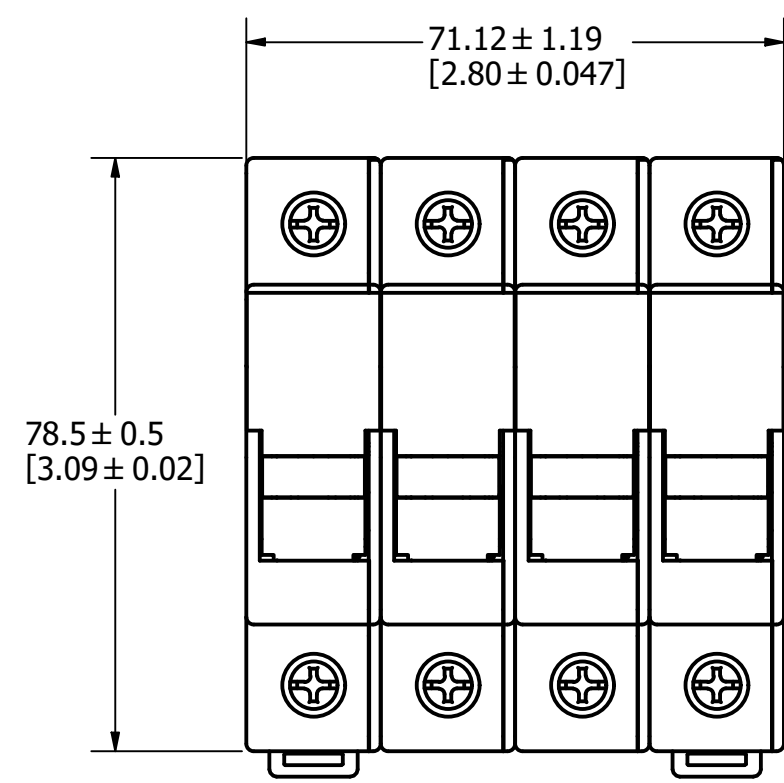


REVISION		
REV	DATE	DESCRIPTION
A	10/13/22	525730GCP - RELEASE MRY
B	11/3/22	525897ECP/D - CHANGE TOLERANCE & WIRE RANGE MRY



SPECIFICATIONS:

VOLTAGE RATING: 600V

AMP RATING: 30 AMPERES

INTERRUPT RATING: 100kA

WIRE RANGE: #8-14 AWG STRANDED Cu ONLY UL CLASS B & CLASS C WIRE
#10-14 AWG SOLID Cu ONLY

SUGGESTED TORQUE: 2 N-m [17.7 IN-LB]

APPROVALS: UL RECOGNIZED (FILE NO. E14721)
CSA CERTIFIED (FILE NO. LR7316)

1	NO	COMPONENT NO	DESCRIPTION	QTY/M	U/M
BILL OF MATERIAL					
<S>	CRITICAL CHARACTERISTIC FOR PART SAFETY/COMPLIANCE				
●	DENOTES CRITICAL CHARACTERISTICS.				
CPK	DENOTES CPK DIMENSIONS, -MINIMUM CPK VALUE				
⊖	DENOTES A CHARACTERISTIC THAT PROVIDES AN INDICATION OF PROCESS PERFORMANCE. PROCEDURE FOR MEASUREMENT AND TRACKING TO BE DEFINED IN LITTELFUSE INSPECTION INSTRUCTIONS.				
CP	DENOTES CP DIMENSIONS, -MINIMUM CP VALUE MUST BE WITHIN THE DIMENSIONAL LIMITATIONS SHOWN ON DRAWING AND INITIALLY LOCATED TO ALLOW FOR MAXIMUM TOOL LIFE.				
MATL SPEC			FINISH		
DRW	DATE	SCALE	FINISH GOOD WT		
JMOLER	9/30/2022	NTS	GRAMS/PIECE		
UNLESS OTHERWISE SPECIFIED, DIMENSIONS ARE IN MILLIMETERS, DIMENSIONS IN BRACKETS [] ARE INCHES DIMENSIONING AND DO NOT INCLUDE PLATING. TOLERANCING TO BE INTERPRETED IN ACCORDANCE WITH ANSI Y14.5M-1994					
3RD ANGLE PROJECTION					
TITLE		LPSM004 OUTLINE			
 CHICAGO, ILLINOIS 60631		REVISION	DRWG NO.	SHEET 1 OF 1	
		B	OL-LPSM004		