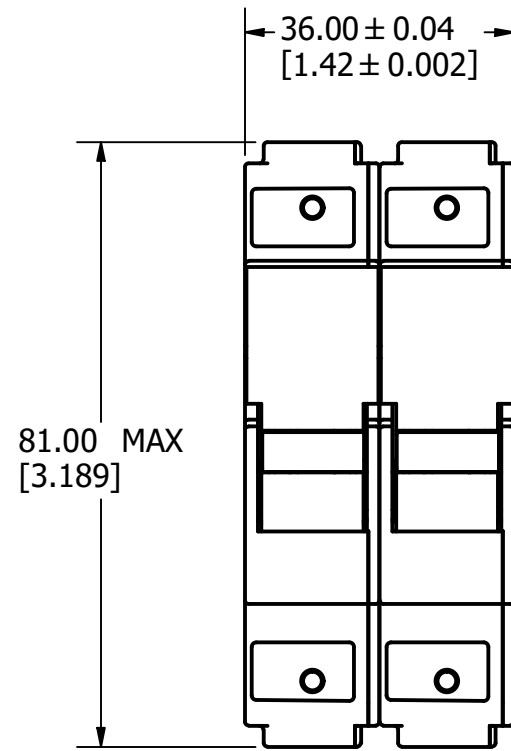
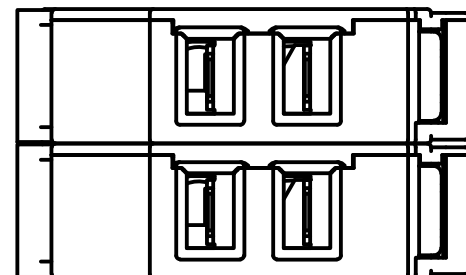
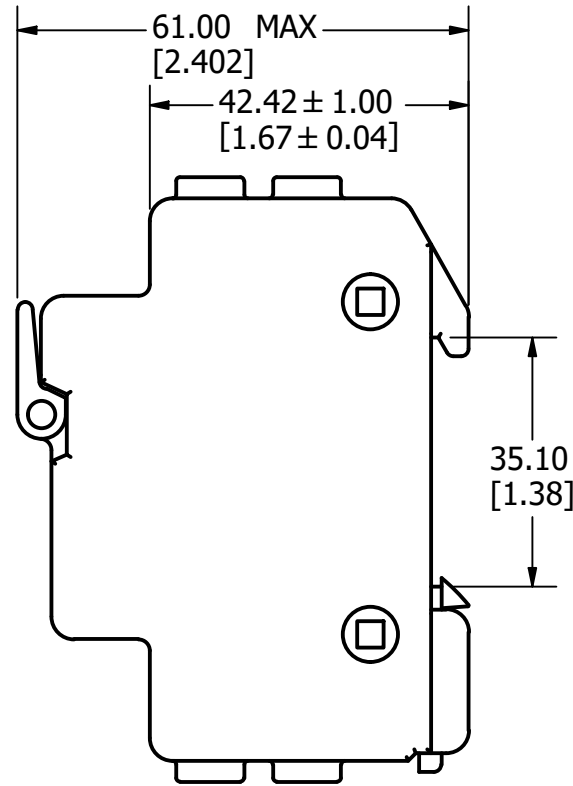
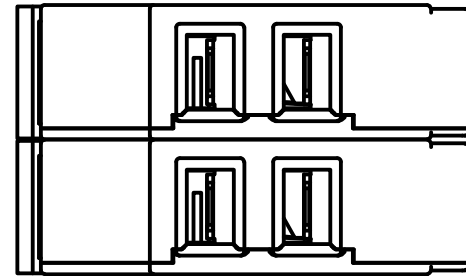


| REVISION | | |
|----------|---------|---------------------------------------|
| REV | DATE | DESCRIPTION |
| A | 9/2/22 | 525636GCP - RELEASE MRY |
| B | 11/3/22 | 525897ECP/C - ADD DEPTH DIMENSION MRY |



SPECIFICATIONS:

VOLTAGE RATING: 600VAC/DC

AMPERE RATING: 30 AMPERES

INTERRUPT RATING: 100kA

TERMINAL TYPE: 1/4" QUICK CONNECT

APPROVALS: UL RECOGNIZED (E14721)
 CSA CERTIFIED (LR7316)
 CCC APPROVED (2010010308391538)

| 1 | NO | COMPONENT NO | DESCRIPTION | QTY/M | U/M |
|---|--|---------------|-------------------------------|--------------|-----|
| BILL OF MATERIAL | | | | | |
| <S> | CRITICAL CHARACTERISTIC FOR PART SAFETY/COMPLIANCE | | | | |
| ● | DENOTES CRITICAL CHARACTERISTICS. | | | | |
| CPK | DENOTES CPK DIMENSIONS, -MINIMUM CPK VALUE | | | | |
| ⊆ | DENOTES A CHARACTERISTIC THAT PROVIDES AN INDICATION OF PROCESS PERFORMANCE. PROCEDURE FOR MEASUREMENT AND TRACKING TO BE DEFINED IN LITTELFUSE INSPECTION INSTRUCTIONS. | | | | |
| CP | DENOTES CP DIMENSIONS, -MINIMUM CP VALUE MUST BE WITHIN THE DIMENSIONAL LIMITATIONS SHOWN ON DRAWING AND INITIALLY LOCATED TO ALLOW FOR MAXIMUM TOOL LIFE. | | | | |
| MATL SPEC | | | FINISH | | |
| DRW JMOLER | DATE 8/26/2022 | SCALE NTS | FINISH GOOD WT GRAMS/PIECE | | |
| UNLESS OTHERWISE SPECIFIED, DIMENSIONS ARE IN MILLIMETERS, DIMENSIONS IN BRACKETS [] ARE INCHES DIMENSIONING AND DO NOT INCLUDE PLATING. TOLERANCING TO BE INTERPRETED IN ACCORDANCE WITH ANSI Y14.5M-1994 | | | | | |
| 3RD ANGLE PROJECTION | | | | | |
| TITLE LPSM002QCID OUTLINE | | | | | |
| Littelfuse CHICAGO, ILLINOIS 60631 | | REVISION B | DRWG NO. OL-LPSM002QCID | SHEET 1 OF 1 | |