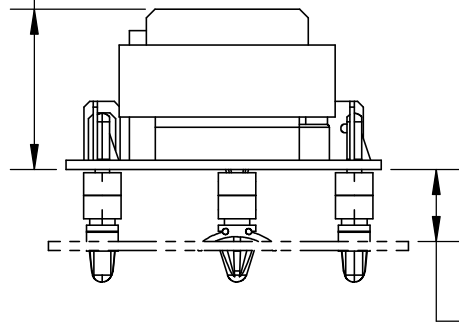
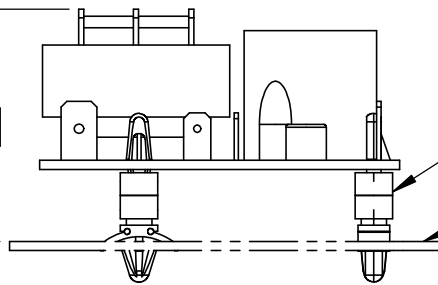


28mm [1.11in]



≤ 41mm [1.61in]

13mm [.50in]



STANDOFF MOUNTS

MOUNTING SURFACE
0.063 (1.6mm) TO
0.125 (3.18mm)

44mm [1.75in]

41mm [1.63in]

21mm [.81in]



24mm [.94in]

UNLESS NOTED OTHERWISE
DIMENSIONS ARE IN INCHES
TOLERANCES:
TWO PLACE DECIMAL ±0.05
NOT DRAWN TO SCALE

MATERIAL	
NAME	DATE
DRAWN BY J.MOLER	05/12/23



DESCRIPTION: LOW-LEVEL CUTOFF
LIQUID LEVEL CONTROL

PART NUMBER: LLC8 SERIES REV A

WEIGHT: SHEET 1 OF 1