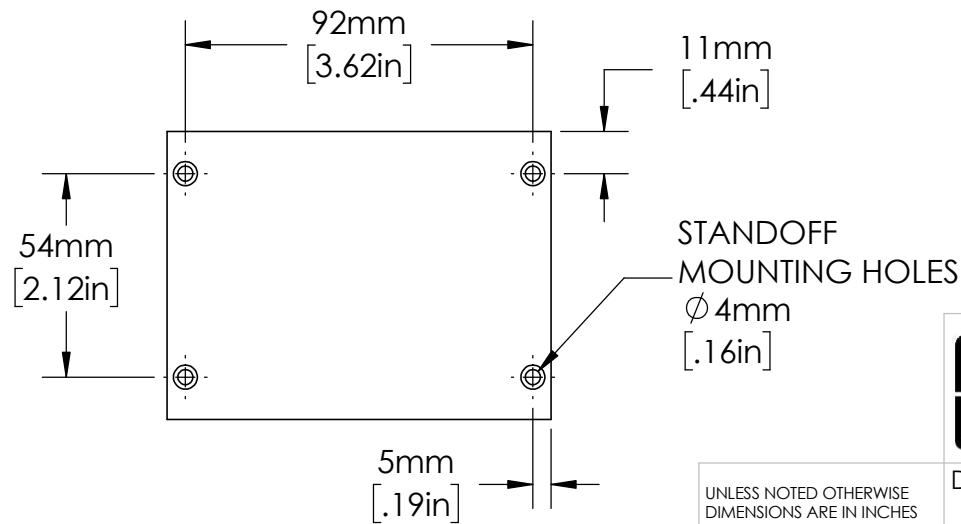
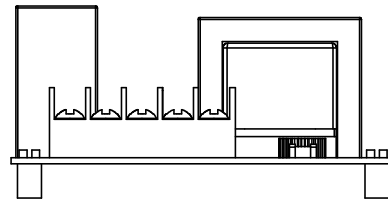
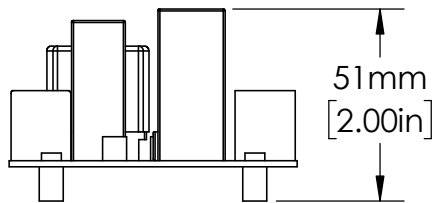
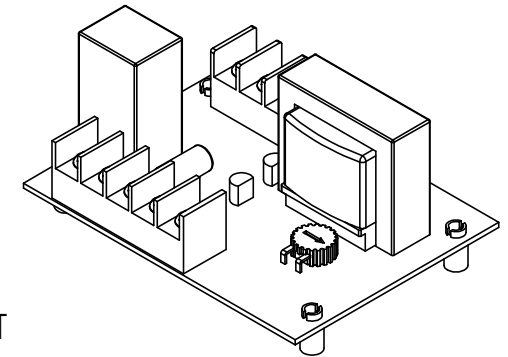


SENSITIVITY  
ADJUSTMENT  
KNOB



STANDOFF  
MOUNTING HOLES  
Ø 4mm  
[.16in]

UNLESS NOTED OTHERWISE  
DIMENSIONS ARE IN INCHES  
TOLERANCES:  
TWO PLACE DECIMAL ±0.05  
NOT DRAWN TO SCALE

MATERIAL	
NAME	DATE
DRAWN BY J.MOLER	05/04/23



DESCRIPTION: PUMP AND LIQUID  
LEVEL CONTROL

PART NUMBER: LLC24A2AN REV A

WEIGHT: SHEET 1 OF 1