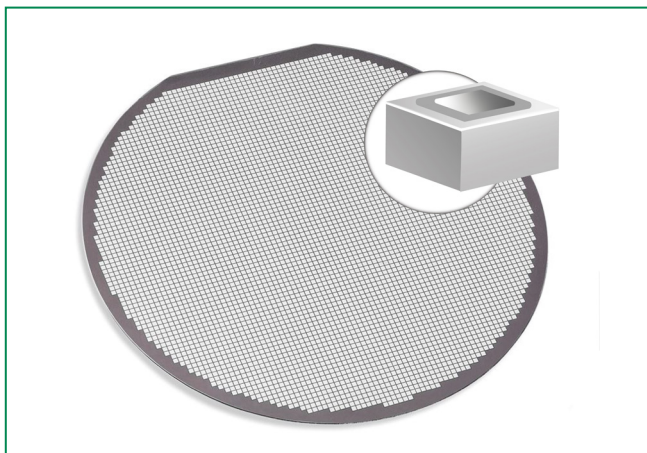


WB07B0606LG

Wire Bond Zener Diode Die, 7V Bi-directional for ESD Protection



Description

The new WB07B0606LG Wire Bond Zener Diode Die is for use in LED designs and sensitive elements that require bi-directional ESD protection. The WB07B0606LG meets IEC 61000-4-2, Contact 15 kV.

Features

- Zener with bi-directional structure
- Paralleled to the LED
- Unity pad metal (for single wire bonding only)
- Two way Zener diode protection
- ESD, ± 15 kV contact discharge per IEC 61000-4-2

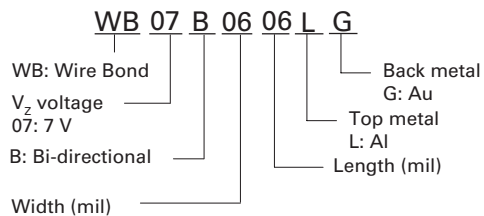
Applications

- Handset Flash LED ESD protection
- Auto LED headlight ESD
- Backlight LED in Display TV and Monitor
- Outdoor LED
- Ultraviolet UV light / Sterilamp
- Module embedded ESD die for I/Os

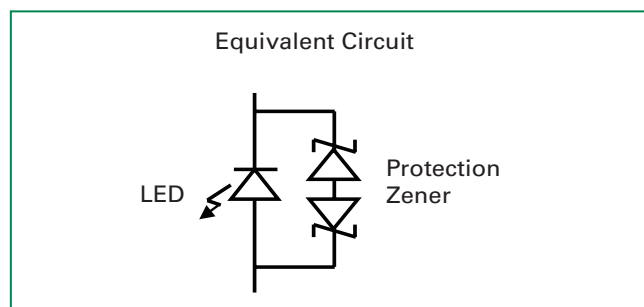
Absolute Maximum Ratings

Symbol	Parameter	Value	Units
T_j	Operating Temperature	150	$^{\circ}\text{C}$

Part Numbering



Functional Diagram



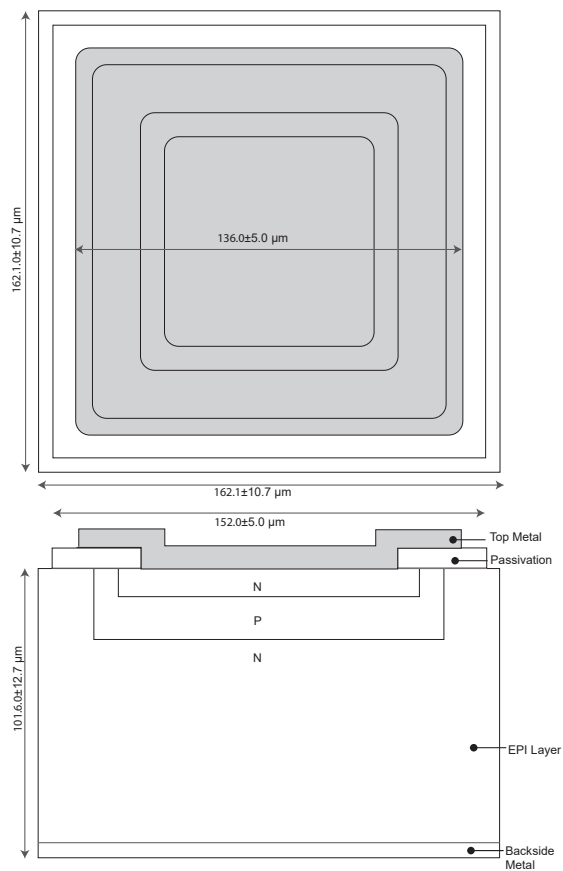
Electrical Characteristics ($T_{op}=25^{\circ}\text{C}$)

Parameter	Symbol	Test Conditions	Min	Typ	Max	Units
Zener Voltage	V_z (Forward)	$I_{zf} = 5$ mA	5.5		7.0	V
	V_z (Reverse)	$I_{zr} = 5$ mA	5.3		6.8	V
Leakage Current	I_{df}	$V = 4$ V			0.1 100	μA nA
	I_{dr}				0.1 100	μA nA

Note1: Parameter is guaranteed by package characterization

WB07B0606LG

Wire Bond Zener Diode Die, 7V Bi-directional for ESD Protection

Physical Dimensions

Item	Characteristics	
Die size	162.1 ± 10.7 μm	6.38 ± 0.42 mil
Pad size	136.0 ± 5.0 μm	5.35 ± 0.20 mil
Die thickness	101.6 ± 12.7 μm	4.00 ± 0.50 mil
Passivation	152.0 ± 5 μm	5.98 ± 0.20 mil
Top metallization	Al/Cu	
Back metallization	Ti /0.6 kÅ/, Au /4 kÅ/	

Note:

- For detail packing specification, please contact with Littelfuse
- Å = 10⁻¹⁰ m

Disclaimer Notice - Information furnished is believed to be accurate and reliable. However, users should independently evaluate the suitability of and test each product selected for their own applications. Littelfuse products are not designed for, and may not be used in, all applications.

Read complete Disclaimer Notice at <http://www.littelfuse.com/disclaimer-electronics>.