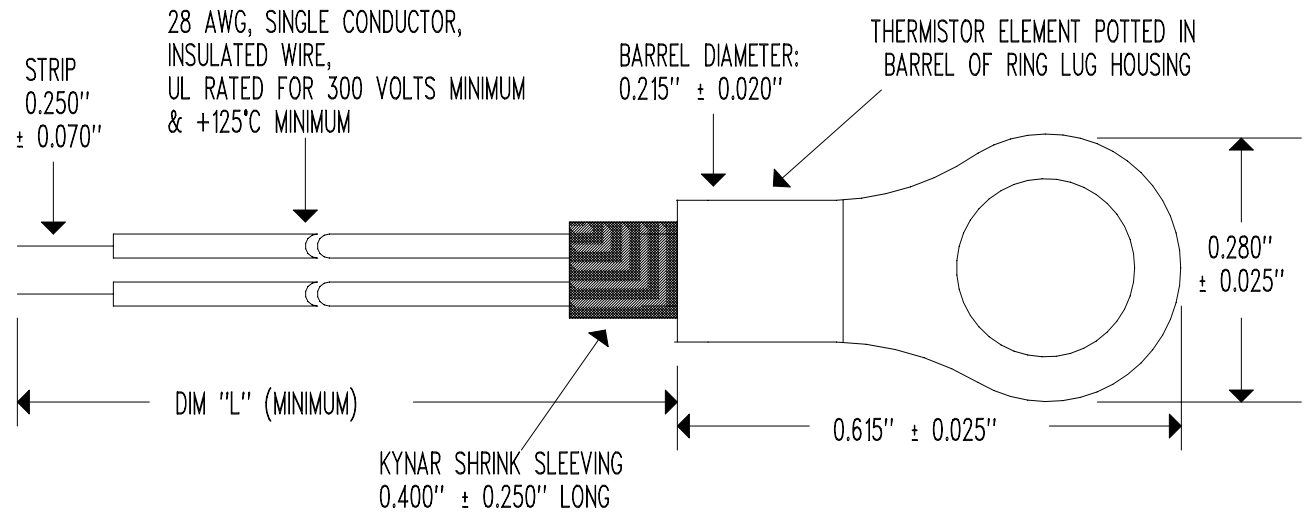


| U.S. SENSOR P/N | R @ +25°C (Ω) | R TOLERANCE @ +25°C (%) |
|------------------|---------------|-------------------------|
| USUR1000-102G-xx | 1,000 | ± 2 |
| USUR1000-102H-xx | 1,000 | ± 3 |
| USUR1000-102J-xx | 1,000 | ± 5 |
| USUR1000-102K-xx | 1,000 | ± 10 |
| USUR1000-222G-xx | 2,252 | ± 2 |
| USUR1000-222H-xx | 2,252 | ± 3 |
| USUR1000-222J-xx | 2,252 | ± 5 |
| USUR1000-222K-xx | 2,252 | ± 10 |
| USUR1000-302G-xx | 3,000 | ± 2 |
| USUR1000-302H-xx | 3,000 | ± 3 |
| USUR1000-302J-xx | 3,000 | ± 5 |
| USUR1000-302K-xx | 3,000 | ± 10 |
| USUR1000-502G-xx | 5,000 | ± 2 |
| USUR1000-502H-xx | 5,000 | ± 3 |
| USUR1000-502J-xx | 5,000 | ± 5 |
| USUR1000-502K-xx | 5,000 | ± 10 |
| USUR1000-103G-xx | 10,000 | ± 2 |
| USUR1000-103H-xx | 10,000 | ± 3 |
| USUR1000-103J-xx | 10,000 | ± 5 |
| USUR1000-103K-xx | 10,000 | ± 10 |
| USUR1000-203G-xx | 20,000 | ± 2 |
| USUR1000-203H-xx | 20,000 | ± 3 |
| USUR1000-203J-xx | 20,000 | ± 5 |
| USUR1000-203K-xx | 20,000 | ± 10 |
| USUR1000-303G-xx | 30,000 | ± 2 |
| USUR1000-303H-xx | 30,000 | ± 3 |
| USUR1000-303J-xx | 30,000 | ± 5 |
| USUR1000-303K-xx | 30,000 | ± 10 |
| USUR1000-503G-xx | 50,000 | ± 2 |
| USUR1000-503H-xx | 50,000 | ± 3 |
| USUR1000-503J-xx | 50,000 | ± 5 |
| USUR1000-503K-xx | 50,000 | ± 10 |
| USUR1000-104G-xx | 100,000 | ± 2 |
| USUR1000-104H-xx | 100,000 | ± 3 |
| USUR1000-104J-xx | 100,000 | ± 5 |
| USUR1000-104K-xx | 100,000 | ± 10 |



RESISTANCE @ +25°C = SEE CHART
 RESISTANCE TOLERANCE @ +25°C = SEE CHART
 RESISTANCE/TEMPERATURE CURVE = "J"
 TEMPERATURE RATING = -40 TO +125°C
 MAXIMUM POWER RATING = 20 mW
 RING TONGUE MOUNTING-HOLE DIAMETER = 0.145" NOMINAL
 RING TONGUE MOUNTING-HOLE STUD-SIZE = #6
 SEE MANUFACTURING SPECIFICATION (LAYER 1)

UL FILE NUMBER E232830 (UL CATEGORY XGPU2)

DIM "L" IS THE MINIMUM LEAD WIRE LENGTH, AND IS SPECIFIED BY THE LAST TWO DIGITS OF THE PART NUMBER (USUR1000-xxxx-xx).

e.g. USUR1000-102G-03 WOULD HAVE A MINIMUM LEAD WIRE LENGTH OF 3".

| REV | REVISION RECORD | DATE | APP |
|-----|--|----------|-----|
| "D" | WIRE WAS 3"±0.75",+ DIM "L" DESIGNATION | 08/30/06 | DD |
| "C" | LEAD WIRE WAS KYNAR INSULATED | 04/28/03 | DD |
| "B" | WAS TEFLON INSULATED WIRE (CLERICAL ERROR) | 03/10/03 | DD |
| -- | ISO RELEASE | 03/10/03 | DD |
| "A" | MINIMUM TEMPERATURE RATING WAS -55°C | 09/30/02 | DD |

| | |
|-------------------------|---|
| SCALE NONE | U.S. SENSOR CORP. © COPYRIGHT 714-639-1000 www.ussensor.com |
| DRAWN BY DAN DANKERT | |
| DATE 08/12/02 | THERMISTOR PROBE |
| REV. "D" | |
| LAYER 0 OF 2 | P/N USUR1000-xxxx-xx |