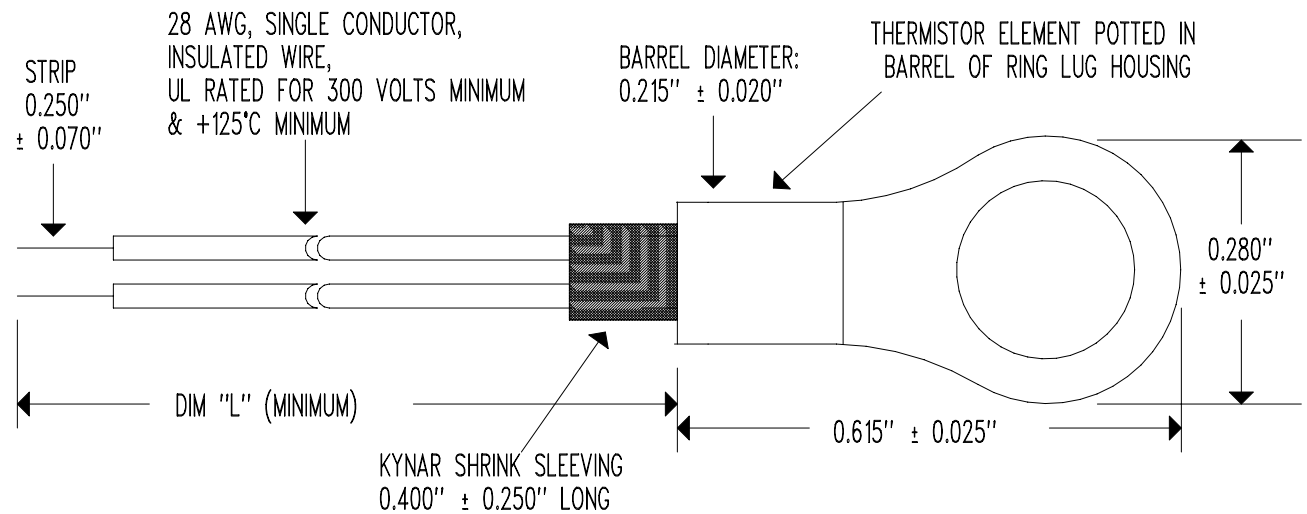


U.S. SENSOR P/N	R @ +25°C (Ω)	R TOLERANCE @ +25°C (%)
USUR1000-102G-xx	1,000	± 2
USUR1000-102H-xx	1,000	± 3
USUR1000-102J-xx	1,000	± 5
USUR1000-102K-xx	1,000	± 10
USUR1000-222G-xx	2,252	± 2
USUR1000-222H-xx	2,252	± 3
USUR1000-222J-xx	2,252	± 5
USUR1000-222K-xx	2,252	± 10
USUR1000-302G-xx	3,000	± 2
USUR1000-302H-xx	3,000	± 3
USUR1000-302J-xx	3,000	± 5
USUR1000-302K-xx	3,000	± 10
USUR1000-502G-xx	5,000	± 2
USUR1000-502H-xx	5,000	± 3
USUR1000-502J-xx	5,000	± 5
USUR1000-502K-xx	5,000	± 10
USUR1000-103G-xx	10,000	± 2
USUR1000-103H-xx	10,000	± 3
USUR1000-103J-xx	10,000	± 5
USUR1000-103K-xx	10,000	± 10
USUR1000-203G-xx	20,000	± 2
USUR1000-203H-xx	20,000	± 3
USUR1000-203J-xx	20,000	± 5
USUR1000-203K-xx	20,000	± 10
USUR1000-303G-xx	30,000	± 2
USUR1000-303H-xx	30,000	± 3
USUR1000-303J-xx	30,000	± 5
USUR1000-303K-xx	30,000	± 10
USUR1000-503G-xx	50,000	± 2
USUR1000-503H-xx	50,000	± 3
USUR1000-503J-xx	50,000	± 5
USUR1000-503K-xx	50,000	± 10
USUR1000-104G-xx	100,000	± 2
USUR1000-104H-xx	100,000	± 3
USUR1000-104J-xx	100,000	± 5
USUR1000-104K-xx	100,000	± 10



RESISTANCE @ +25°C = SEE CHART  
 RESISTANCE TOLERANCE @ +25°C = SEE CHART  
 RESISTANCE/TEMPERATURE CURVE = "J"  
 TEMPERATURE RATING = -40 TO +125°C  
 MAXIMUM POWER RATING = 20 mW  
 RING TONGUE MOUNTING-HOLE DIAMETER = 0.145" NOMINAL  
 RING TONGUE MOUNTING-HOLE STUD-SIZE = #6  
 SEE MANUFACTURING SPECIFICATION (LAYER 1)

DIM "L" IS THE MINIMUM LEAD WIRE LENGTH, AND IS SPECIFIED BY THE LAST TWO DIGITS OF THE PART NUMBER (USUR1000-xxxx-xx).

e.g. USUR1000-102G-03 WOULD HAVE A MINIMUM LEAD WIRE LENGTH OF 3".

UL FILE NUMBER E232830 (UL CATEGORY XGPU2)

REV	REVISION RECORD	DATE	APP
"D"	WIRE WAS 3"±0.75",+ DIM "L" DESIGNATION	08/30/06	DD
"C"	LEAD WIRE WAS KYNAR INSULATED	04/28/03	DD
"B"	WAS TEFLON INSULATED WIRE (CLERICAL ERROR)	03/10/03	DD
--	ISO RELEASE	03/10/03	DD
"A"	MINIMUM TEMPERATURE RATING WAS -55°C	09/30/02	DD

SCALE NONE	U.S. SENSOR CORP. © COPYRIGHT 714-639-1000 www.ussensor.com <b>THERMISTOR PROBE</b> P/N USUR1000-xxxx-xx
DRAWN BY DAN DANKERT	
DATE 08/12/02	
REV. "D"	
LAYER 0 OF 2	