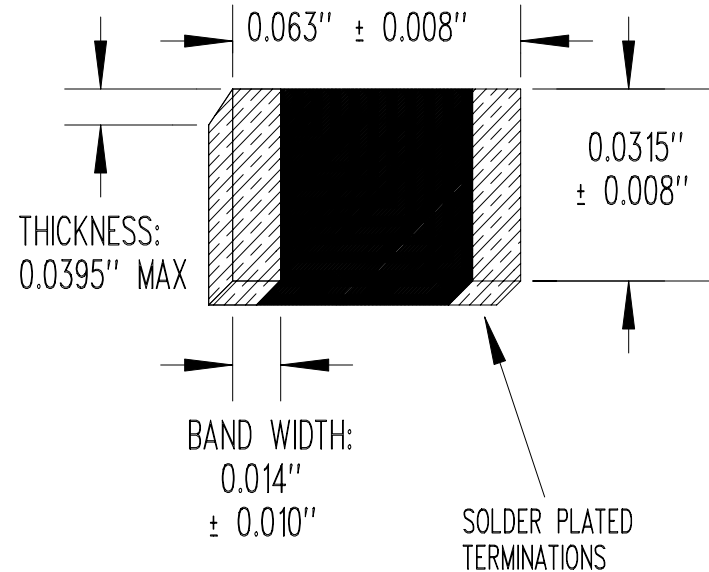


RESISTANCE/TEMPERATURE TABLE			
TEMP (°C)	RESIS (Ω)	TEMP (°C)	RESIS (Ω)
-40	1,705,167	45	21,732
-35	1,225,673	50	17,903
-30	891,539	55	14,827
-25	655,792	60	12,342
-20	487,505	65	10,323
-15	366,037	70	8,675
-10	277,441	75	7,322
-5	212,176	80	6,207
0	163,645	85	5,283
5	127,233	90	4,519
10	99,681	95	3,880
15	78,664	100	3,345
20	62,509	105	2,894
25	50,000	110	2,513
30	40,224	115	2,189
35	32,566	120	1,914
40	26,526	125	1,678



RESISTANCE @ +25°C = 50,000 Ω ± 5%
 BETA "β" (+25 TO +85°C) = 4,000°K NOMINAL
 POWER RATING = 150 mW
 OPERATING TEMPERATURE RANGE = -40 TO +125°C

SEE MANUFACTURING SPECIFICATION (LAYER 1)

NONE	RELEASE TO PRODUCTION	12/12/03	DD
REV	REVISION RECORD	DATE	APP

SCALE	NONE	U.S. SENSOR CORP. 1832 W. COLL INS AVE. ORANGE, CA. 92867 714-639-1000 www.ussensor.com
DRAWN BY	DAN DANKERT	
DATE	12/12/03	
REV.	NONE	
LAYER	0 OF 2	
		THERMISTOR, NTC CHIP
		P/N RB503K0J