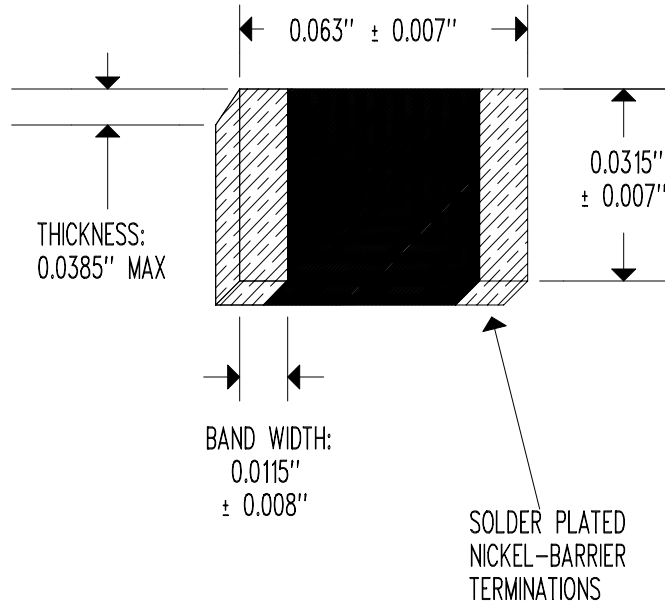


PART NUMBER	PACKAGING
RB222E0J-1	BULK
RB222E0J-2	TAPE & REEL



RESISTANCE @ +25°C = 2,200 Ω ± 5%
 RESISTANCE/TEMPERATURE CURVE = SEE RB222E0J R-T TABLE
 BETA "β" (+25 TO +85°C) = 3,435°K NOMINAL
 TEMPERATURE RATING = -40 TO +125°C

ROHS COMPLIANT

PACKAGING: SEE TABLE

SEE MANUFACTURING SPECIFICATION (LAYER 1)

REV	REVISION RECORD	DATE	APP
NONE	RELEASE TO PRODUCTION	04/28/17	DD

SCALE NONE	© COPYRIGHT U.S. SENSOR CORP. 714-639-1000 www.ussensor.com NTC CHIP THERMISTOR P/N RB222E0J-
DRAWN BY DAN DANKERT	
DATE 04/28/17	
REV. NONE	
LAYER 0 OF 2	