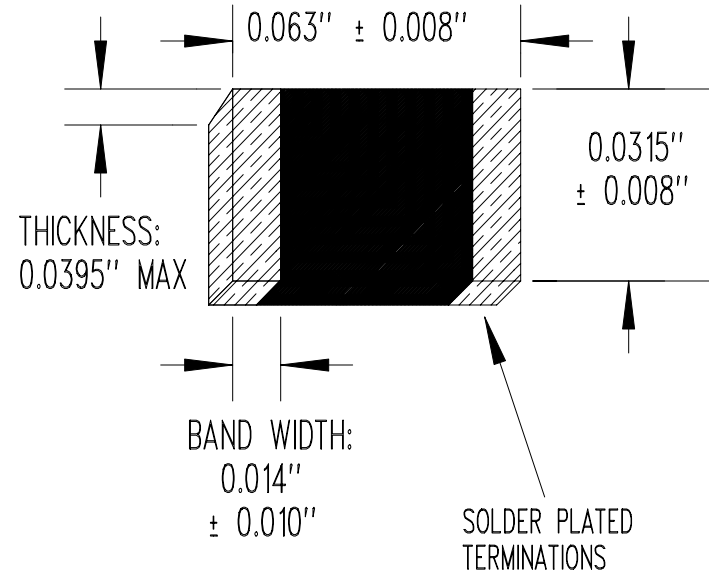


RESISTANCE/TEMPERATURE TABLE			
TEMP (°C)	RESIS (Ω)	TEMP (°C)	RESIS (Ω)
-40	3,502,459	45	42,244
-35	2,531,012	50	34,556
-30	1,847,893	55	28,418
-25	1,362,318	60	23,489
-20	1,013,618	65	19,510
-15	760,775	70	16,281
-10	575,747	75	13,647
-5	439,157	80	11,489
0	337,485	85	9,712
5	261,203	90	8,248
10	203,539	95	7,032
15	159,633	100	6,019
20	125,974	105	5,170
25	100,000	110	4,457
30	79,875	115	3,855
35	64,209	120	3,345
40	51,930	125	2,912



RESISTANCE @ +25°C = 100,000 Ω ± 5%
 BETA "β" (+25 TO +85°C) = 4,150°K NOMINAL
 POWER RATING = 150 mW
 OPERATING TEMPERATURE RANGE = -40 TO +125°C

SEE MANUFACTURING SPECIFICATION (LAYER 1)

NONE	RELEASE TO PRODUCTION	12/05/03	DD
REV	REVISION RECORD	DATE	APP

SCALE NONE	U.S. SENSOR CORP. 1832 W. COLL INS AVE. ORANGE, CA. 92867 714-639-1000 www.ussensor.com
DRAWN BY DAN DANKERT	
DATE 12/05/03	
REV. NONE	
LAYER 0 OF 2	
THERMISTOR, NTC CHIP	
P/N RB104LOJ	