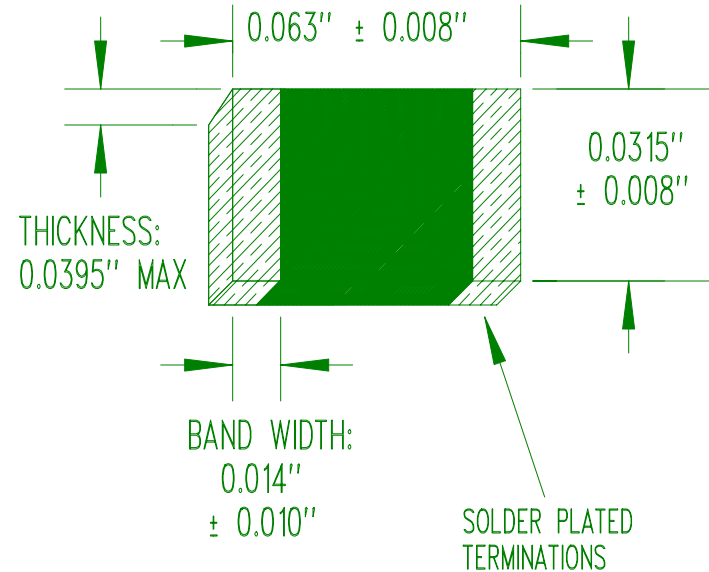


| RESISTANCE/TEMPERATURE TABLE | | | |
|------------------------------|--------------|--------------|--------------|
| TEMP (°C) | RESIS (Ω) | TEMP (°C) | RESIS (Ω) |
| -40 | 308,118 | 45 | 4,333 |
| -35 | 226,660 | 50 | 3,569 |
| -30 | 168,174 | 55 | 2,956 |
| -25 | 125,800 | 60 | 2,461 |
| -20 | 94,834 | 65 | 2,059 |
| -15 | 72,018 | 70 | 1,731 |
| -10 | 55,076 | 75 | 1,462 |
| -5 | 42,402 | 80 | 1,240 |
| 0 | 32,854 | 85 | 1,057 |
| 5 | 25,611 | 90 | 904.6 |
| 10 | 20,081 | 95 | 777.7 |
| 15 | 15,834 | 100 | 671.2 |
| 20 | 12,551 | 105 | 581.5 |
| 25 | 10,000 | 110 | 505.6 |
| 30 | 8,036 | 115 | 441.2 |
| 35 | 6,500 | 120 | 386.2 |
| 40 | 5,291 | 125 | 339.2 |



RESISTANCE @ +25°C = 10,000 Ω ± 5%
 BETA "β" (+25 TO +85°C) = 4,000°K NOMINAL
 POWER RATING = 150 mW
 OPERATING TEMPERATURE RANGE = -40 TO +125°C

SEE MANUFACTURING SPECIFICATION (LAYER 1)

| | | | |
|------|-----------------------|----------|-----|
| NONE | RELEASE TO PRODUCTION | 12/12/03 | DD |
| REV | REVISION RECORD | DATE | APP |

| | | |
|----------|-------------|---|
| SCALE | NONE | U.S. SENSOR CORP. 1832 W. COLL INS AVE. ORANGE, CA. 92867 714-639-1000 www.ussensor.com |
| DRAWN BY | DAN DANKERT | |
| DATE | 12/12/03 | |
| REV. | NONE | |
| LAYER | 0 OF 2 | THERMISTOR, NTC CHIP P/N RB103K0J |