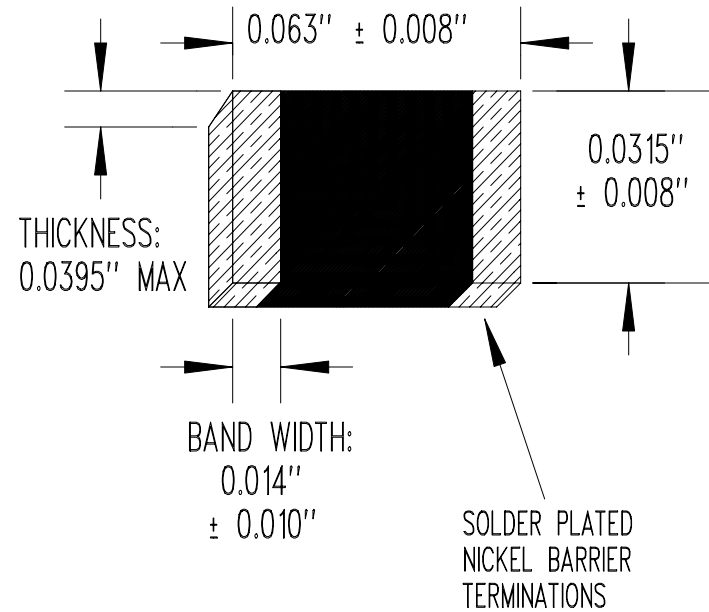


| RESISTANCE/TEMPERATURE TABLE | | | |
|------------------------------|--------------|--------------|--------------|
| TEMP (°C) | RESIS (Ω) | TEMP (°C) | RESIS (Ω) |
| -40 | 220,820 | 45 | 4,642 |
| -35 | 164,674 | 50 | 3,875 |
| -30 | 124,193 | 55 | 3,247 |
| -25 | 94,660 | 60 | 2,732 |
| -20 | 72,873 | 65 | 2,308 |
| -15 | 56,631 | 70 | 1,956 |
| -10 | 44,402 | 75 | 1,664 |
| -5 | 35,108 | 80 | 1,420 |
| 0 | 27,980 | 85 | 1,216 |
| 5 | 22,469 | 90 | 1,047 |
| 10 | 18,172 | 95 | 904.9 |
| 15 | 14,797 | 100 | 784.7 |
| 20 | 12,127 | 105 | 682.8 |
| 25 | 10,000 | 110 | 595.9 |
| 30 | 8,196 | 115 | 521.7 |
| 35 | 6,750 | 120 | 458.1 |
| 40 | 5,585 | 125 | 403.4 |



RESISTANCE @ +25°C = 10,000 Ω ± 5%
 BETA "β" (0 TO +50°C) = 3,712°K NOMINAL
 BETA "β" (+25 TO +85°C) = 3,750°K NOMINAL
 POWER RATING = 150 mW
 OPERATING TEMPERATURE RANGE = -40 TO +125°C

SEE MANUFACTURING SPECIFICATION (LAYER 1)

| | | | |
|------|---|----------|-----|
| "B" | ADDED RESISTANCE VERSUS TEMPERATURE CHART | 12/11/03 | DD |
| "A" | BANDWIDTH DIMENSION WAS 0.005" MINIMUM | 11/14/03 | DD |
| NONE | RELEASE TO PRODUCTION | 09/15/03 | DD |
| REV | REVISION RECORD | DATE | APP |

| | | |
|----------|-------------|--|
| SCALE | NONE | U.S. SENSOR CORP. 1832 W. COLLINS AVE. ORANGE, CA. 92867 714-639-1000 www.ussensor.com |
| DRAWN BY | DAN DANKERT | |
| DATE | 09/15/03 | |
| REV. | "B" | |
| LAYER | 0 OF 2 | |
| | | THERMISTOR, NTC CHIP |
| | | P/N RB103G0J |