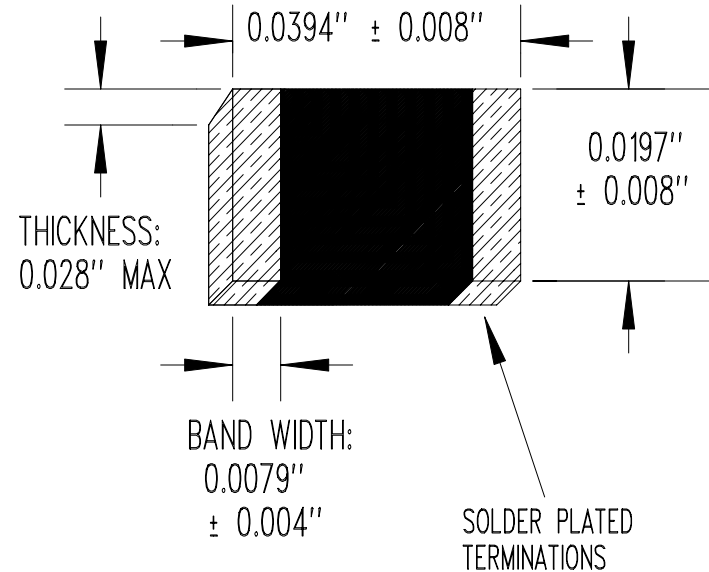


RESISTANCE/TEMPERATURE TABLE			
TEMP (°C)	RESIS (Ω)	TEMP (°C)	RESIS (Ω)
-40	3,815,134	45	41,378
-35	2,735,510	50	33,684
-30	1,982,147	55	27,571
-25	1,450,620	60	22,684
-20	1,071,672	65	18,757
-15	798,817	70	15,585
-10	600,499	75	13,008
-5	455,064	80	10,905
0	347,502	85	9,181
5	267,304	90	7,767
10	207,047	95	6,597
15	161,439	100	5,625
20	126,676	105	4,815
25	100,000	110	4,136
30	79,446	115	3,565
35	63,529	120	3,084
40	51,119	125	2,676



RESISTANCE @ +25°C = 100,000 Ω ± 5%
 BETA "β" (+25 TO +85°C) = 4,250°K NOMINAL
 POWER RATING = 40 mW
 OPERATING TEMPERATURE RANGE = -40 TO +125°C

SEE MANUFACTURING SPECIFICATION (LAYER 1)

NONE	RELEASE TO PRODUCTION	12/04/03	DD
REV	REVISION RECORD	DATE	APP

SCALE	NONE	U.S. SENSOR CORP. 1832 W. COLLINS AVE. ORANGE, CA. 92867 714-639-1000 www.ussensor.com
DRAWN BY	DAN DANKERT	
DATE	12/04/03	
REV.	NONE	
LAYER	0 OF 2	
		THERMISTOR, NTC CHIP
		P/N RA104ROJ