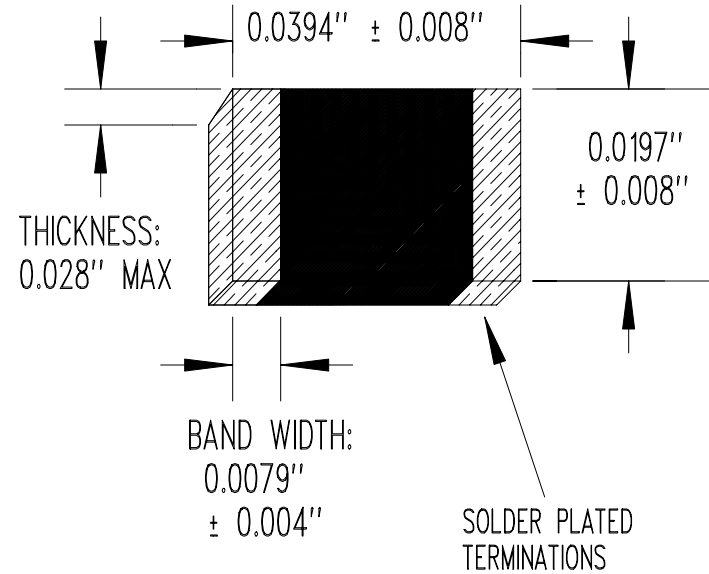


| RESISTANCE/TEMPERATURE TABLE | | | |
|------------------------------|--------------|--------------|--------------|
| TEMP (°C) | RESIS (Ω) | TEMP (°C) | RESIS (Ω) |
| -40 | 3,815,134 | 45 | 41,378 |
| -35 | 2,735,510 | 50 | 33,684 |
| -30 | 1,982,147 | 55 | 27,571 |
| -25 | 1,450,620 | 60 | 22,684 |
| -20 | 1,071,672 | 65 | 18,757 |
| -15 | 798,817 | 70 | 15,585 |
| -10 | 600,499 | 75 | 13,008 |
| -5 | 455,064 | 80 | 10,905 |
| 0 | 347,502 | 85 | 9,181 |
| 5 | 267,304 | 90 | 7,767 |
| 10 | 207,047 | 95 | 6,597 |
| 15 | 161,439 | 100 | 5,625 |
| 20 | 126,676 | 105 | 4,815 |
| 25 | 100,000 | 110 | 4,136 |
| 30 | 79,446 | 115 | 3,565 |
| 35 | 63,529 | 120 | 3,084 |
| 40 | 51,119 | 125 | 2,676 |



RESISTANCE @ +25°C = 100,000 Ω ± 5%
 BETA "β" (+25 TO +85°C) = 4,250°K NOMINAL
 POWER RATING = 40 mW
 OPERATING TEMPERATURE RANGE = -40 TO +125°C

SEE MANUFACTURING SPECIFICATION (LAYER 1)

| | | | |
|------|-----------------------|----------|-----|
| NONE | RELEASE TO PRODUCTION | 12/04/03 | DD |
| REV | REVISION RECORD | DATE | APP |

| | | |
|----------|-------------|--|
| SCALE | NONE | U.S. SENSOR CORP. 1832 W. COLLINS AVE. ORANGE, CA. 92867 714-639-1000 www.ussensor.com |
| DRAWN BY | DAN DANKERT | |
| DATE | 12/04/03 | |
| REV. | NONE | |
| LAYER | 0 OF 2 | |
| | | THERMISTOR, NTC CHIP |
| | | P/N RA104ROJ |