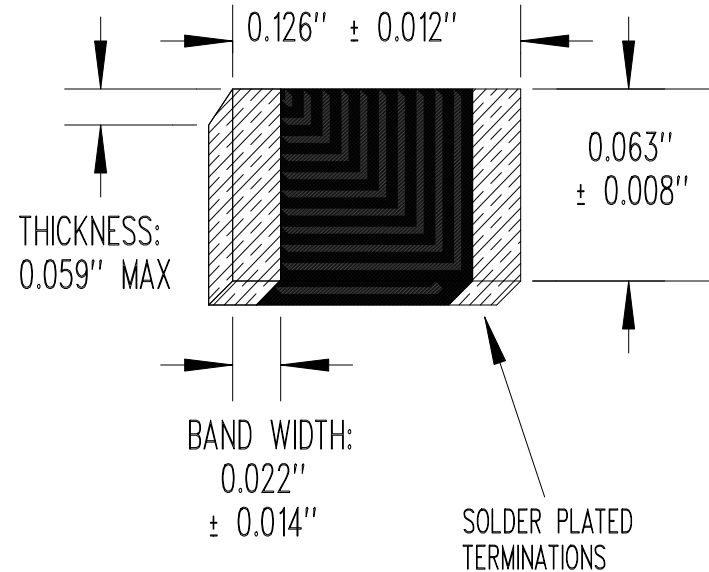


RESISTANCE/TEMPERATURE TABLE			
TEMP (°C)	RESIS (Ω)	TEMP (°C)	RESIS (Ω)
-40	7,555,901	45	83,102
-35	5,415,994	50	67,671
-30	3,924,103	55	55,390
-25	2,872,210	60	45,564
-20	2,122,601	65	37,660
-15	1,582,986	70	31,269
-10	1,190,799	75	26,076
-5	903,155	80	21,838
0	690,356	85	18,362
5	531,625	90	15,505
10	412,293	95	13,143
15	321,908	100	11,182
20	252,958	105	9,547
25	200,000	110	8,179
30	159,135	115	7,030
35	127,405	120	6,061
40	102,606	125	5,242



RESISTANCE @ +25°C = 200,000 Ω ± 5%
 BETA "β" (+25 TO +85°C) = 4,250°K NOMINAL
 POWER RATING = 320 mW
 OPERATING TEMPERATURE RANGE = -40 TO +125°C

SEE MANUFACTURING SPECIFICATION (LAYER 1)

"A"	THICKNESS WAS 0.050", POWER RATING WAS 400 mW, LENG. TOL. WAS ± 0.008"	11/07/17	MW
NONE	RELEASE TO PRODUCTION	09/29/04	DD
REV	REVISION RECORD	DATE	APP

SCALE NONE	U.S. SENSOR CORP. 1832 W. COLL INS AVE. ORANGE, CA. 92867 714-639-1000 www.ussensor.com THERMISTOR, NTC CHIP P/N LR204ROJ
DRAWN BY DAN DANKERT	
DATE 09/29/04	
REV. "A"	
LAYER 0 OF 2	