

RESISTANCE/TEMPERATURE TABLE

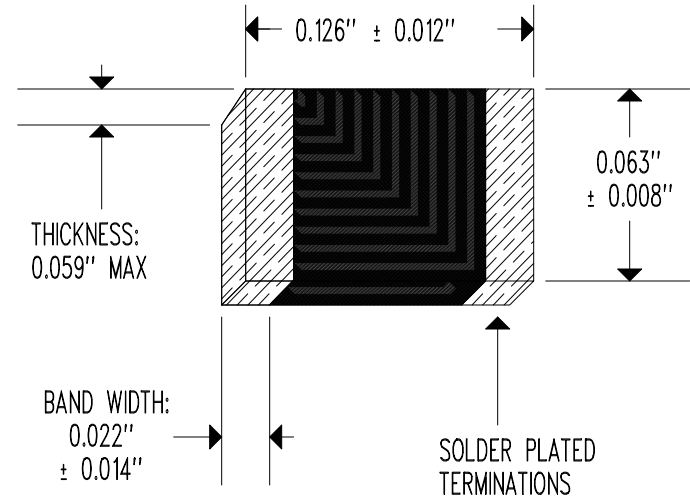
TEMP (°C)	RESIS (Ω NOM)	TEMP (°C)	RESIS (Ω NOM)
-40	3,464,600	45	43,545
-35	2,495,900	50	35,895
-30	1,806,000	55	29,754
-25	1,326,600	60	24,796
-20	986,560	65	20,772
-15	740,500	70	17,486
-10	560,350	75	14,789
-5	427,510	80	12,562
0	328,910	85	10,715
5	255,200	90	9,174.9
10	199,650	95	7,884.9
15	157,420	100	6,800.3
20	125,040	105	5,885.2
25	100,000	110	5,110.9
30	80,496	115	4,454.4
35	65,200	120	3,896.8
40	53,128	125	3,422.7

RESISTANCE @ +25°C = 100,000 Ω ± 5%  
 BETA "β" (+25 TO +85°C) = 3975°K NOMINAL  
 POWER RATING = 320 mW  
 OPERATING TEMPERATURE RANGE = -40 TO +125°C

PACKAGING: SEE TABLE

SEE MANUFACTURING SPECIFICATION (LAYER 1)

PART NUMBER	PACKAGING
LR104JOJ-1	BULK
LR104JOJ-2	TAPE & REEL



NONE	RELEASE TO PRODUCTION	11/9/17	MW
REV	REVISION RECORD	DATE	APP

SCALE NONE	U.S. SENSOR CORP. © COPYRIGHT
DRAWN BY MARCUS WEAST	
DATE 11/09/17	714-639-1000 www.ussensor.com
REV. NONE	NTC THERMISTOR
LAYER 0 OF 2	P/N LR104JOJ