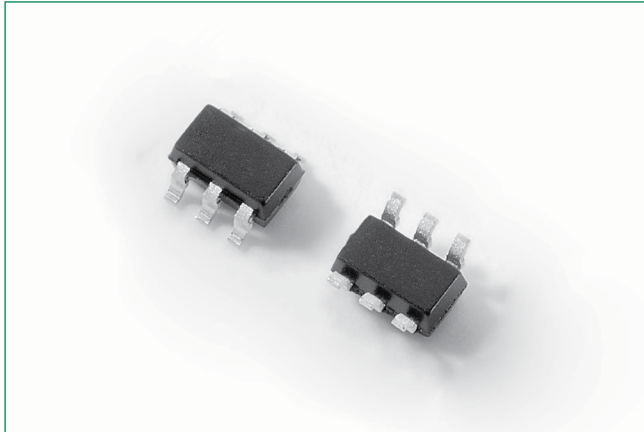


# SDP Biased Series - SOT23-6

## Broadband Optimized™ Protection



### Description

This new SDP Biased series provides overvoltage protection for applications such as VDSL2, ADSL2, and ADSL2+ with minimal effect on data signals. This silicon design innovation results in a capacitive loading characteristic that is compatible with these high bandwidth applications. This surface mount SOT23-6 package provides a surge capability that exceeds most worldwide standards and recommendations for lightning surge withstand capability of tertiary protectors.

### Features & Benefits

- Compatible with VDSL2 (30MHz) and with G.fast (106MHz)
- Balanced overvoltage protection
- Low distortion
- Low insertion loss
- Low profile
- Response time under 500ns
- RoHS Compliant
- Pb-free E3 means 2nd level interconnect is Pb-free and the terminal finish material is tin(Sn) (IPC/JEDEC J-STD-609A.01)

### Additional Information



Resources

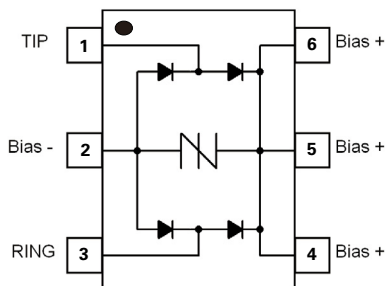


Accessories



Samples

### Pinout Designation & Schematic Symbol



### Applicable Global Standards

- ANSI C62.41
- IEC 61000-4-12
- IEC 61000-4-5, 30A (tP=8/20µs) 2nd edition
- IEC 61000-4-2 level 4
- 15kV (air discharge)
- 8kV (contact discharge)

### Agency Approvals

Agency	Agency File Number
	E133083

### Absolute Maximum Ratings between pin1 and pin 3, Ta= 25°C (Unless otherwise noted)

Part Number	Marking	Maximum Junction Temperature	Storage Temperature Range	$I_{pp}$ 8/20µs
		°C	°C	A Max
SDP0240T023G6RP	P24	150	-65 to 150	30 <sup>1</sup>

Notes: 1. The device must be in thermal equilibrium at 25°C

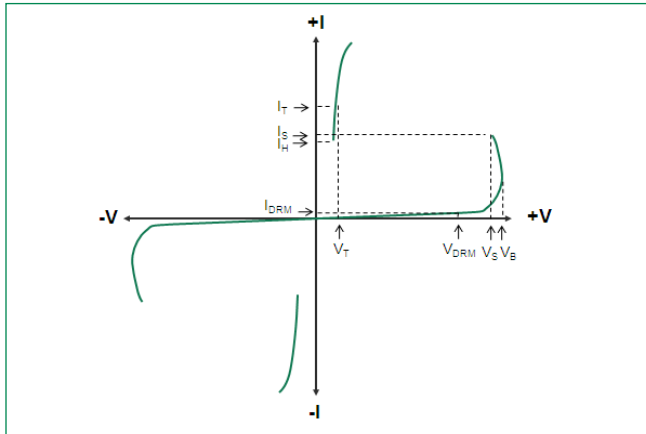
### Electrical Characteristics between pin 1 and pin 3, Ta = 25°C

Part Number	Marking	$V_{DRM}$ @ $I_{DRM}=100nA$	$I_{DRM}$ @ $V_{DRM}=19V$	$V_s$ @1V/µs	$I_H$	$I_s$	$Co$ @f=1MHz,2V	Delta Co@ Line Bias = 1V to 19V
		V min	pA typ	V max	mA typ	mA min	pF max	pF max
SDP0240T023G6RP	P24	19	300	29	40	10	3.0	0.5

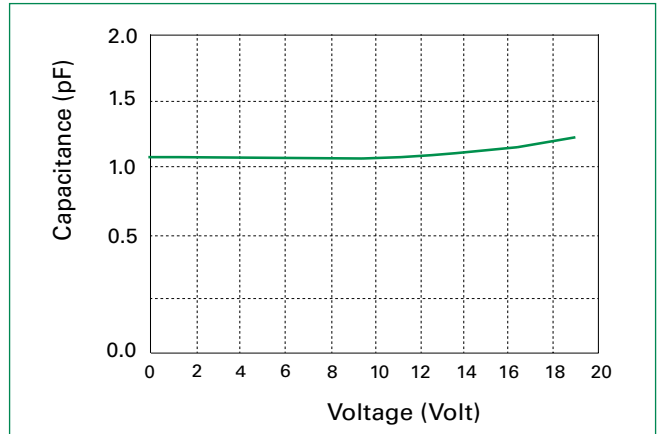
# SDP Biased Series - SOT23-6

## Broadband Optimized™ Protection

**V-I: Characteristics**



**Typical capacitance against line voltage (without external bias)**



**Surge Ratings**

Series	$I_{PP}$
	$1.2/50\mu s^1 / 8/20\mu s^2$
	A min
G	30

**Notes:**

1. Voltage waveform in  $\mu s$
2. Current waveform in  $\mu s$

- Peak pulse current rating ( $I_{PP}$ ) is repetitive and guaranteed for the life of the product that remains in thermal equilibrium.
- The component must be in thermal equilibrium at 25°C.

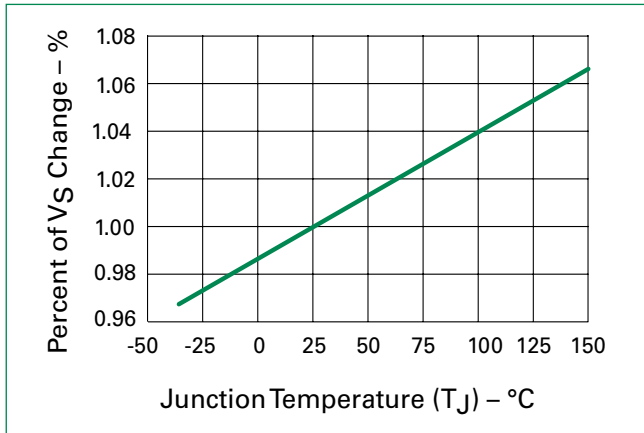
**Thermal Information**

Parameter	Rating	Units
Storage Temperature Range	-65 to 150	°C
Maximum Junction Temperature	150	°C
Maximum Lead Temperature (Soldering 10s)	260	°C

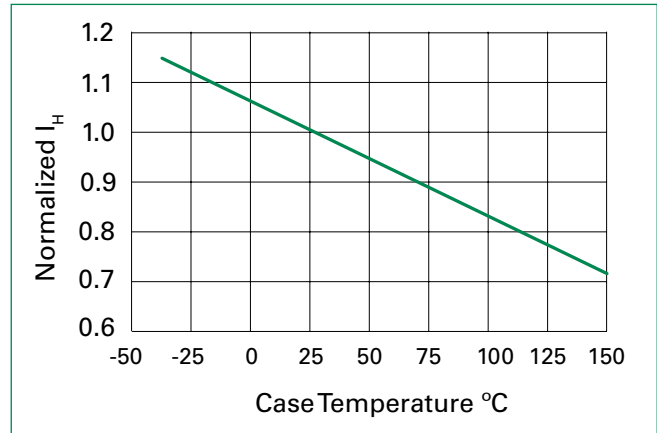
# SDP Biased Series - SOT23-6

## Broadband Optimized™ Protection

Normalized VS Change vs. Junction Temperature

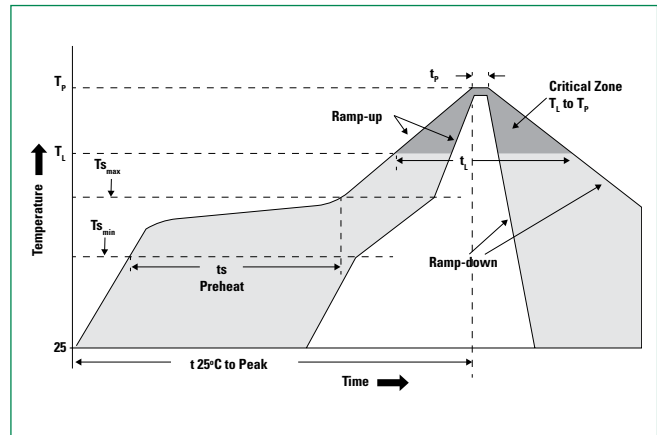


Normalized Holding Current vs. Case Temperature



### Soldering Parameters

<b>Reflow Condition</b>		Pb-Free assembly
<b>Pre Heat</b>	- Temperature Min (T <sub>s(min)</sub> )	150°C
	- Temperature Max (T <sub>s(max)</sub> )	200°C
	- Time (Min to Max) (t <sub>s</sub> )	60-180 secs.
<b>Average ramp up rate (Liquidus Temp (T<sub>L</sub>) to peak)</b>		3°C/sec. Max.
<b>T<sub>S(max)</sub> to T<sub>L</sub> - Ramp-up Rate</b>		3°C/sec. Max.
<b>Reflow</b>	- Temperature (T <sub>L</sub> ) (Liquidus)	+217°C
	- Temperature (t <sub>l</sub> )	60-150 secs.
<b>Peak Temp (T<sub>p</sub>)</b>		250(+0/-5)°C
<b>Time within 5°C of actual Peak Temp (t<sub>p</sub>)</b>		20-40 secs.
<b>Ramp-down Rate</b>		6°C/sec. Max.
<b>Time 25°C to Peak Temp (T<sub>p</sub>)</b>		8 min. Max.
<b>Do not exceed</b>		260°C



# SDP Biased Series - SOT23-6

## Broadband Optimized™ Protection

### Physical Specifications

<b>Lead Plating</b>	SOT23: Matte Tin
<b>Lead Material</b>	Copper Alloy
<b>Lead Coplanarity</b>	0.0004 inches (0.102mm)
<b>Substrate Material</b>	Silicon
<b>Body Material</b>	Molded Epoxy
<b>Flammability</b>	V-0

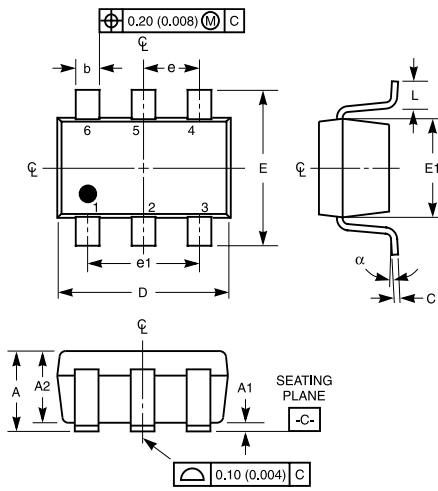
**Notes:**

1. All dimensions are in millimeters.
2. Dimensions include solder plating.
3. Dimensions are exclusive of mold flash & metal burr.
4. All specifications comply to JEDEC MO-178
5. Blo is facing up for mold and facing down for trim/form, i.e. reverse trim/form.
6. Package surface matte tine

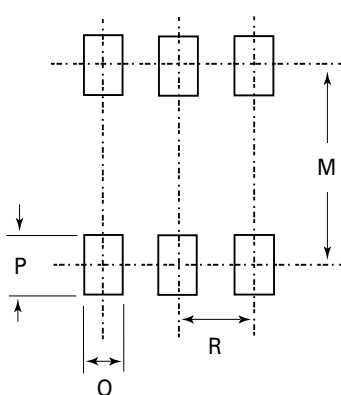
### Environmental Specifications

<b>Temp Cycling</b>	Mil-STD-883, Method 1010.8 Condition C, -65°C to +150°C 168 Hrs, 85°C /60%RH+3IR-Reflow, 260°C +5V, -0°C
<b>Bias Humidity</b>	JESD 22-A101 85°C , 85%CRH. 50V 168 Hrs, 85°C /60%RH+3IR-Reflow, 260°C +5V, -0°C
<b>Pressure Cooker</b>	JEDEC 22-A102 No Bias, 121°C, 100%RH 96Hrs/192Hrs. 168 Hrs, 85°C /60%RH+3IR-Reflow, 260°C +5V, -0°C
<b>High Temp Storage</b>	JESD 22-A103 Con B. 150°C, no bias 1000Hrs
<b>HTRB</b>	JESD 22-108 168 Hrs, 85°C /60%RH+3IR-Reflow, 260°C +5V, -0°C
<b>Thermal Shock</b>	Mil-STD-883, Method 1011.9 Condition A, 0°C to 100°C 168 Hrs, 85°C /60%RH+3IR-Reflow, 260°C +5V, -0°C
<b>C-SAM</b>	As per flow, JSTD-020 pre&post preconditioning test.
<b>Wet Humidity (Tin only)</b>	JESD 201 standard: 55°C/85%RH

### Dimensions - SOT23-6



Recommended Solder Pad Layout



Dimensions	Inches		Millimeters	
	Min	Max	Min	Max
A	0.041	0.057	1.050	1.450
A1	0.000	0.006	0.000	0.150
A2	0.035	0.051	0.900	1.300
b	0.012	0.020	0.300	0.500
C	0.003	0.008	0.080	0.220
D	0.110	0.118	2.800	3.000
E	0.102	0.118	2.600	3.000
E1	0.057	0.069	1.450	1.750
e	0.037 (BSC)		0.950 (BSC)	
e1	0.074(BSC)		1.900(BSC)	
L (note 4.5)	0.012	0.023	0.300	0.600
N (note 6)	6		6	
α	0°C	8°C	0°C	8°C
M	-	0.102	-	2.590
O	-	0.027	-	0.690
P	-	0.039	-	0.990
R	-	0.038	-	0.950

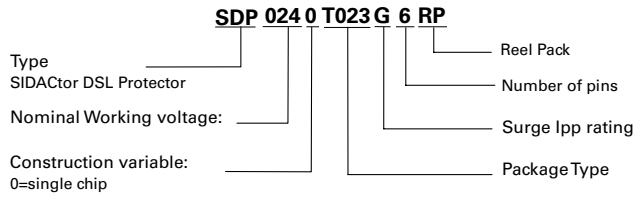
**Notes:**

1. Dimensioning and tolerances per ANSI 14.5M-1982.
2. Package conforms to JEDEC MO-178
3. Dimensions D and E1 are exclusive of mold flash, protrusions, or gate burrs.
4. Foot length L measured at reference to seating plane.
5. "L" is the length of flat foot surface for soldering to substrate.
6. "N" is the number of terminal positions.
7. Controlling dimension: MILLIMETER. Converted inch dimensions are not necessarily exact.

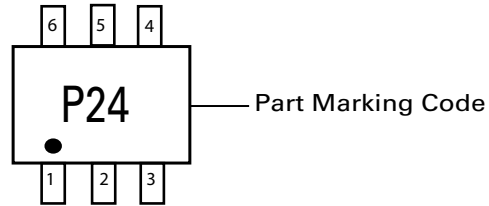
# SDP Biased Series - SOT23-6

## Broadband Optimized™ Protection

### Part Numbering



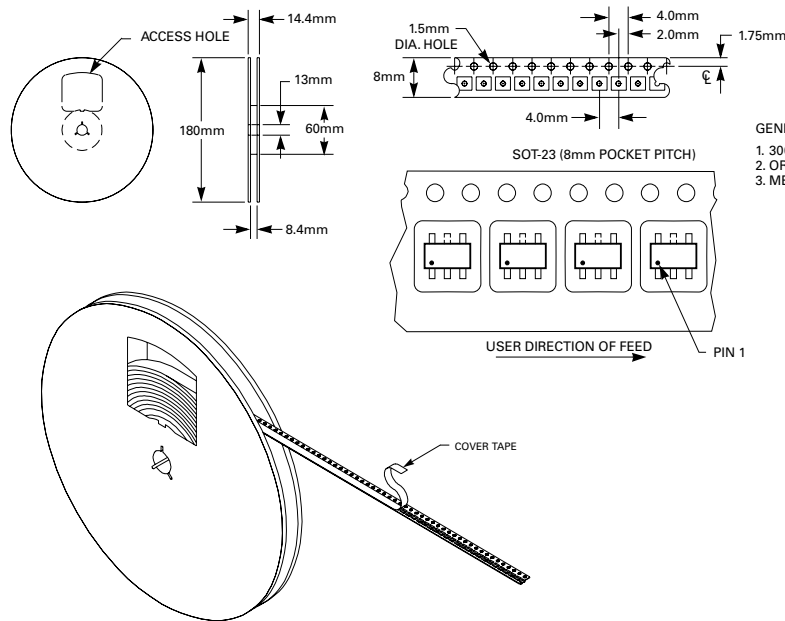
### Part Marking



### Packing Options

Package Type	Description	Quantity
SOT23-6	Tape and Reel	3000

### Embossed Carrier Tape & Reel Specification - SOT23-6



- GENERAL INFORMATION
- 3000 PIECES PER REEL.
  - ORDER IN MULTIPLES OF FULL REELS ONLY.
  - MEETS EIA-481 REVISION "A" SPECIFICATIONS.

**Disclaimer Notice** - Information furnished is believed to be accurate and reliable. However, users should independently evaluate the suitability of and test each product selected for their own applications. Littelfuse products are not designed for, and may not be used in, all applications. Read complete Disclaimer Notice at [www.littelfuse.com/disclaimer-electronics](http://www.littelfuse.com/disclaimer-electronics).