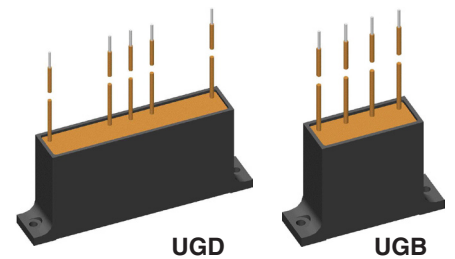
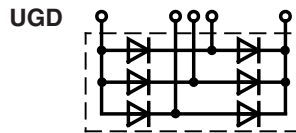
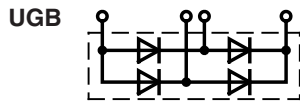
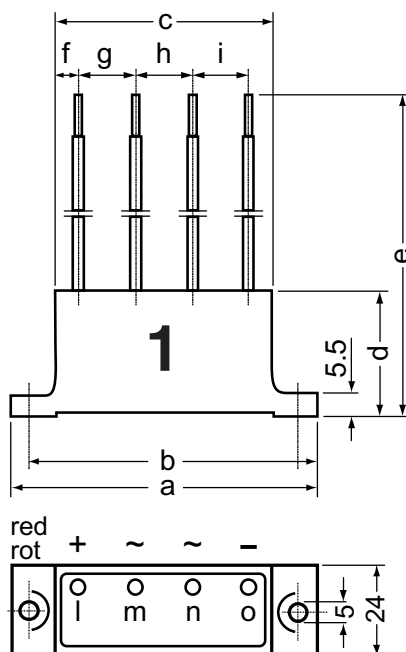


# 1~ / 3~ High Voltage Rectifiers

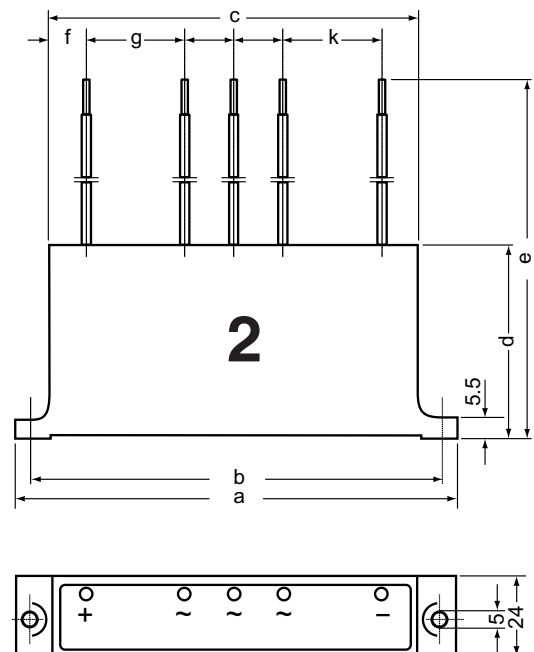
$V_{RRM} = 4800-10500 \text{ V}$   
 $I_{F(AV)M} = 1.0-1.8 \text{ A}$



| Type        | $V_{RRM}$ | $V_{V(RMS)}$ | $I_{F(AV)M}$ | $I_{FSM}$ | $T_{(vj)m}$ | Weight | Dimensions |
|-------------|-----------|--------------|--------------|-----------|-------------|--------|------------|
|             | V         | V            | A            | A         | °C          |        |            |
| UGB 3132 AD | 4800      | 2250         | 1.2          | 60        | 150         | 150    | 1          |
| UGB 6124 AG | 10500     | 5000         | 1.0          | 50        | 150         | 300    | 2          |
| UGD 6123 AG | 7200      | 3300         | 1.8          | 50        | 150         | 300    | 2          |
| UGD 8124 AG | 10500     | 5000         | 1.2          | 50        | 150         | 300    | 2          |



Dimensions in mm  
(1 mm = 0.0394")



| Type        | a   | b   | c   | d    | e   | f  | g    | h  | i    | k  |
|-------------|-----|-----|-----|------|-----|----|------|----|------|----|
| UGB 3132 AD | 80  | 70  | 57  | 58.5 | 260 | 6  | 15   | 15 | 15   |    |
| UGB 6124 AG | 135 | 125 | 112 |      |     | 11 | 32.5 | 25 | 32.5 |    |
| UGD 6123 AG | 135 | 125 | 112 |      |     | 8  | 30   | 18 | 18   | 30 |
| UGD 8124 AG | 135 | 125 | 112 |      |     | 8  | 30   | 18 | 18   | 30 |

### Disclaimer Notice

Information furnished is believed to be accurate and reliable. However, users should independently evaluate the suitability of and test each product selected for their own applications. Littelfuse products are not designed for, and may not be used in, all applications. Read complete Disclaimer Notice at [www.littelfuse.com/disclaimer-electronics](http://www.littelfuse.com/disclaimer-electronics).