

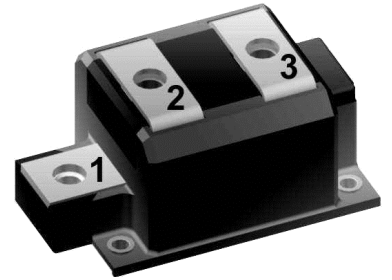
# Standard Rectifier Module

$V_{RRM} = 1600\text{ V}$   
 $I_{FAV} = 2 \times 700\text{ A}$   
 $V_F = 1.05\text{ V}$


Common Cathode

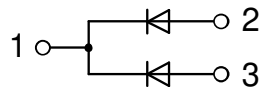
Part number

**MDMA1400C1600CC**



Backside: isolated

 E72873



### Features / Advantages:

- Package with DCB ceramic
- Improved temperature and power cycling
- Planar passivated chips
- Very low forward voltage drop
- Very low leakage current

### Applications:

- Diode for main rectification
- For single and three phase bridge configurations
- Supplies for DC power equipment
- Input rectifiers for PWM inverter
- Battery DC power supplies
- Field supply for DC motors

### Package: ComPack

- Isolation Voltage: 4800 V~
- Industry standard outline
- RoHS compliant
- Base plate: Copper internally DCB isolated
- Advanced power cycling
- Phase Change Material available

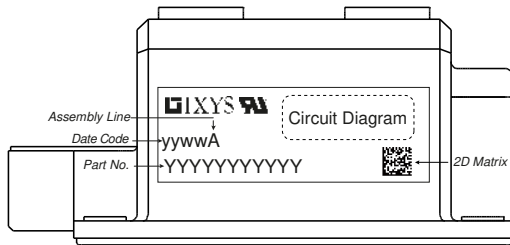
### Disclaimer Notice

Information furnished is believed to be accurate and reliable. However, users should independently evaluate the suitability of and test each product selected for their own applications. Littelfuse products are not designed for, and may not be used in, all applications. Read complete Disclaimer Notice at [www.littelfuse.com/disclaimer-electronics](http://www.littelfuse.com/disclaimer-electronics).

Rectifier				Ratings			
Symbol	Definition	Conditions		min.	typ.	max.	Unit
$V_{RSM}$	max. non-repetitive reverse blocking voltage			$T_{VJ} = 25^{\circ}C$		1700	V
$V_{RRM}$	max. repetitive reverse blocking voltage			$T_{VJ} = 25^{\circ}C$		1600	V
$I_R$	reverse current	$V_R = 1600 V$		$T_{VJ} = 25^{\circ}C$		500	$\mu A$
		$V_R = 1600 V$		$T_{VJ} = 150^{\circ}C$		20	mA
$V_F$	forward voltage drop	$I_F = 700 A$		$T_{VJ} = 25^{\circ}C$		1.14	V
						1.35	V
		$I_F = 1400 A$		$T_{VJ} = 125^{\circ}C$		1.05	V
						1.30	V
$I_{FAV}$	average forward current	$T_C = 100^{\circ}C$		$T_{VJ} = 150^{\circ}C$		700	A
$I_{F(RMS)}$	RMS forward current	rectangular	$d = 0.5$			1100	A
$V_{F0}$	threshold voltage	} for power loss calculation only		$T_{VJ} = 150^{\circ}C$		0.78	V
$r_F$	slope resistance					0.35	m $\Omega$
$R_{thJC}$	thermal resistance junction to case					0.055	K/W
$R_{thCH}$	thermal resistance case to heatsink				0.02		K/W
$P_{tot}$	total power dissipation			$T_C = 25^{\circ}C$		2270	W
$I_{FSM}$	max. forward surge current	$t = 10 \text{ ms}; (50 \text{ Hz}), \text{ sine}$		$T_{VJ} = 45^{\circ}C$		20.0	kA
		$t = 8,3 \text{ ms}; (60 \text{ Hz}), \text{ sine}$		$V_R = 0 V$		21.6	kA
		$t = 10 \text{ ms}; (50 \text{ Hz}), \text{ sine}$		$T_{VJ} = 150^{\circ}C$		17.0	kA
		$t = 8,3 \text{ ms}; (60 \text{ Hz}), \text{ sine}$		$V_R = 0 V$		18.4	kA
$I^2t$	value for fusing	$t = 10 \text{ ms}; (50 \text{ Hz}), \text{ sine}$		$T_{VJ} = 45^{\circ}C$		2.00	MA <sup>2</sup> s
		$t = 8,3 \text{ ms}; (60 \text{ Hz}), \text{ sine}$		$V_R = 0 V$		1.94	MA <sup>2</sup> s
		$t = 10 \text{ ms}; (50 \text{ Hz}), \text{ sine}$		$T_{VJ} = 150^{\circ}C$		1.45	MA <sup>2</sup> s
		$t = 8,3 \text{ ms}; (60 \text{ Hz}), \text{ sine}$		$V_R = 0 V$		1.40	MA <sup>2</sup> s
$C_J$	junction capacitance	$V_R = 400 V; f = 1 \text{ MHz}$		$T_{VJ} = 25^{\circ}C$		781	pF



Package ComPack		Ratings				
Symbol	Definition	Conditions	min.	typ.	max.	Unit
$I_{RMS}$	RMS current	per terminal			1200	A
$T_{VJ}$	virtual junction temperature		-40		150	°C
$T_{op}$	operation temperature		-40		125	°C
$T_{stg}$	storage temperature		-40		125	°C
<b>Weight</b>				500		g
$M_D$	mounting torque		3		5	Nm
$M_T$	terminal torque		12		14	Nm
$d_{Spp/App}$	creepage distance on surface   striking distance through air	terminal to terminal	21.0			mm
$d_{Spb/Apb}$		terminal to backside	18.0			mm
$V_{ISOL}$	isolation voltage	t = 1 second	4800			V
		t = 1 minute	4000			V



**Part description**

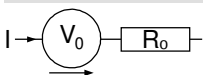
- M = Module
- D = Diode
- M = Standard Rectifier
- A = (up to 1800V)
- 1400 = Current Rating [A]
- C = Common Cathode
- 1600 = Reverse Voltage [V]
- CC = ComPack

Ordering	Ordering Number	Marking on Product	Delivery Mode	Quantity	Code No.
Standard	MDMA1400C1600CC	MDMA1400C1600CC	Box	3	520221

**Equivalent Circuits for Simulation**

\* on die level

$T_{VJ} = 150^{\circ}C$

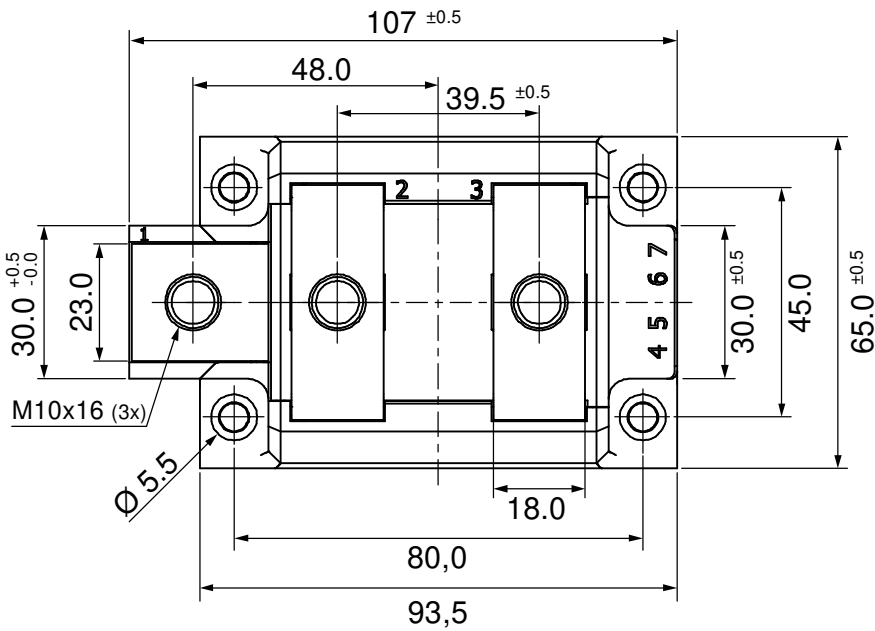
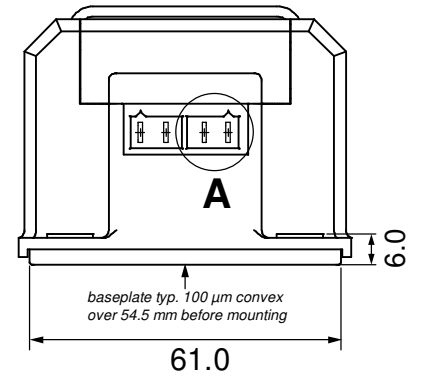
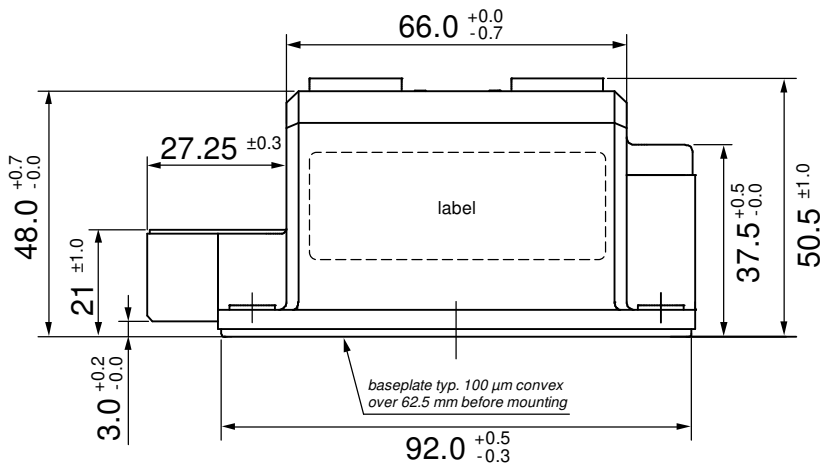


**Rectifier**

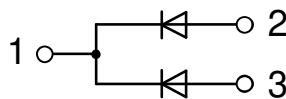
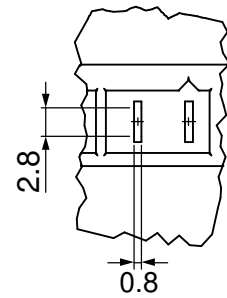
$V_{0\ max}$	threshold voltage	0.78	V
$R_{0\ max}$	slope resistance *	0.16	mΩ



**Outlines ComPack**



**A (2:1)**





**Rectifier**

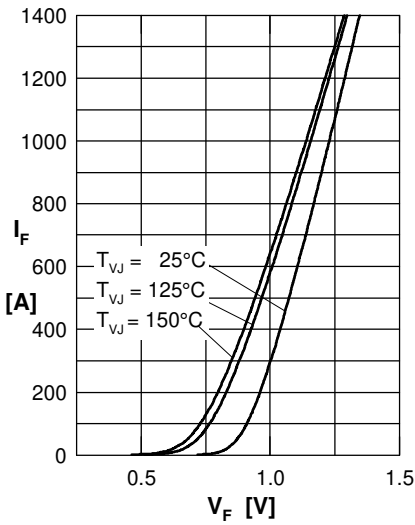


Fig. 1 Forward current versus voltage drop per diode

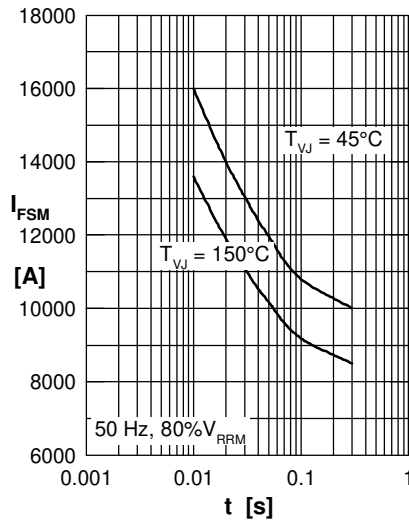


Fig. 2 Surge overload current vs. time per diode

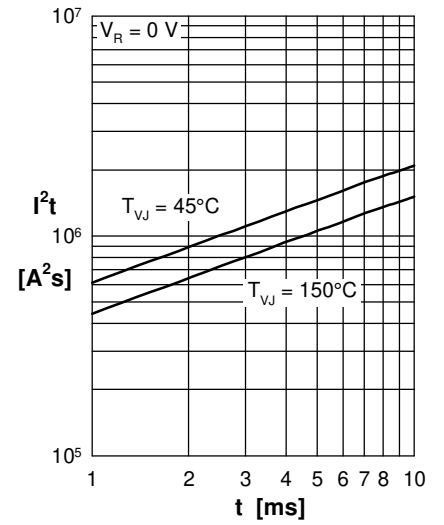


Fig. 3  $I^2t$  versus time per diode

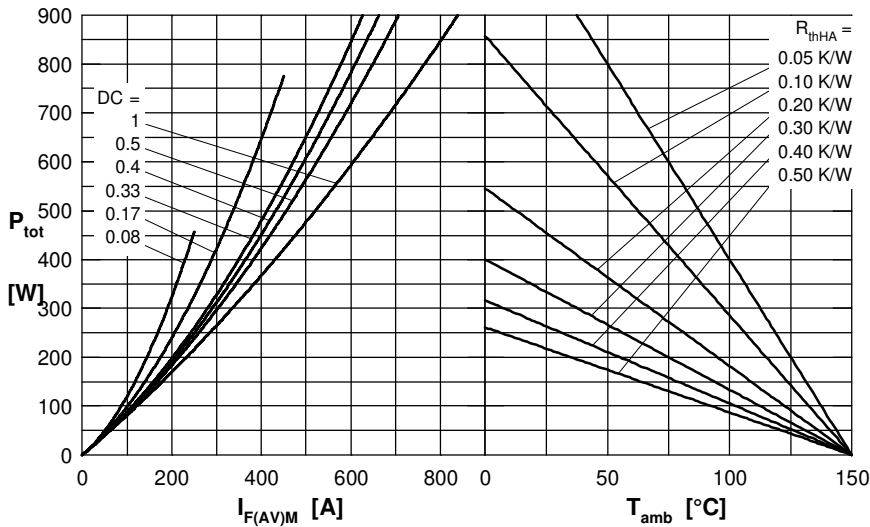


Fig. 4 Power dissipation vs. forward current and ambient temperature per diode

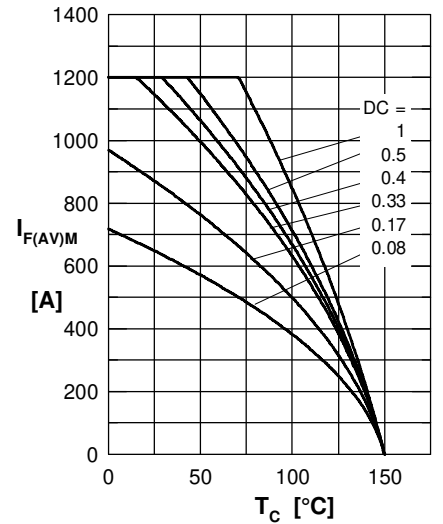


Fig. 5 Max. forward current vs. case temperature per diode

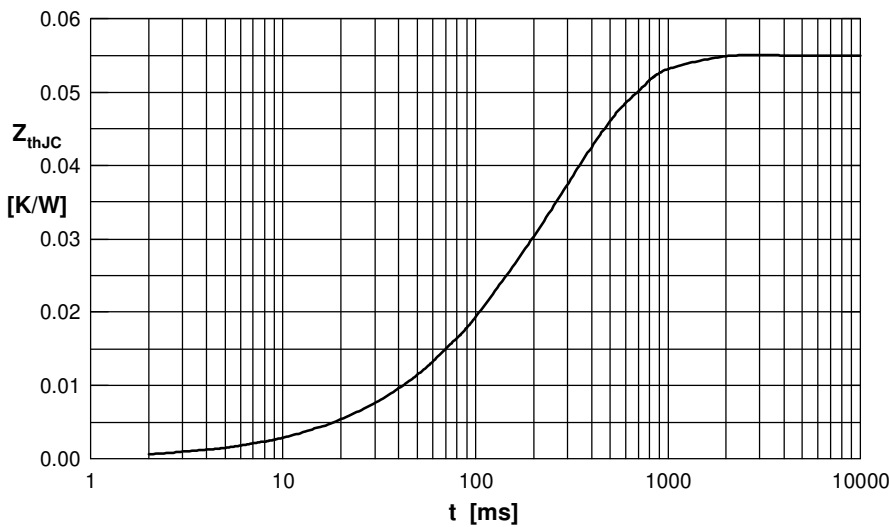


Fig. 6 Transient thermal impedance junction to case vs. time per diode

Constants for  $Z_{thJC}$  calculation:

i	$R_{thi}$ (K/W)	$t_i$ (s)
1	0.001	0.0150
2	0.004	0.0600
3	0.017	0.2000
4	0.033	0.3400