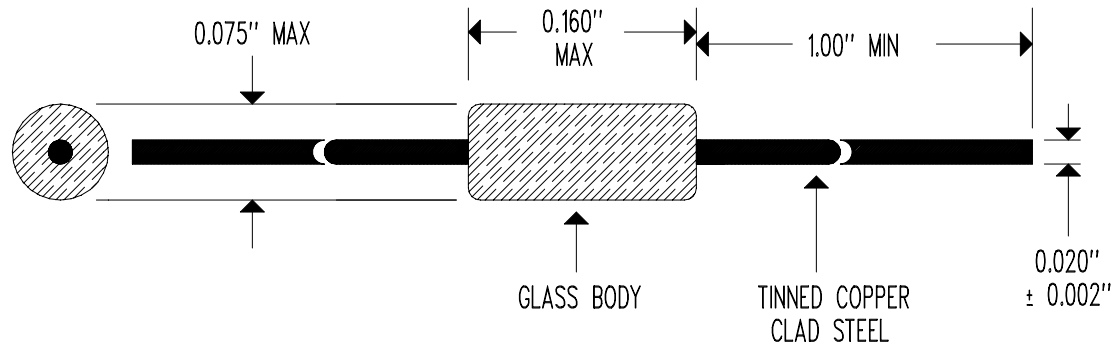


U.S. SENSOR P/N	R @ +25°C (Ω)	R TOLERANCE @ +25°C (%)
USUG1000-103G	10,000	± 2
USUG1000-103J	10,000	± 5
USUG1000-103K	10,000	± 10
USUG1000-153G	15,000	± 2
USUG1000-153J	15,000	± 5
USUG1000-153K	15,000	± 10
USUG1000-203G	20,000	± 2
USUG1000-203J	20,000	± 5
USUG1000-203K	20,000	± 10
USUG1000-253G	25,000	± 2
USUG1000-253J	25,000	± 5
USUG1000-253K	25,000	± 10
USUG1000-303G	30,000	± 2
USUG1000-303J	30,000	± 5
USUG1000-303K	30,000	± 10
USUG1000-503G	50,000	± 2
USUG1000-503J	50,000	± 5
USUG1000-503K	50,000	± 10
USUG1000-104G	100,000	± 2
USUG1000-104J	100,000	± 5
USUG1000-104K	100,000	± 10
USUG1000-204G	200,000	± 2
USUG1000-204J	200,000	± 5
USUG1000-204K	200,000	± 10
USUG1000-254G	250,000	± 2
USUG1000-254J	250,000	± 5
USUG1000-254K	250,000	± 10
USUG1000-224J	220,000	± 5
USUG1000-154G	150,000	± 2
USUG1000-154J	150,000	± 5
USUG1000-154K	150,000	± 10



RESISTANCE @ +25°C = SEE CHART
 RESISTANCE TOLERANCE @ +25°C = SEE CHART
 RESISTANCE/TEMPERATURE CURVE = "J"
 DISSIPATION CONSTANT = 2 mW/°C NOMINAL (STILL AIR)
 MAXIMUM POWER RATING = 20 mW
 TEMPERATURE RATING = -40 TO +150°C

UL FILE NUMBER E232830 (UL CATEGORY XGPU2)

SEE MANUFACTURING SPECIFICATION (LAYER 1)

"F"	ADDED USUG1000-154G/USUG1000-154J/USUG1000-154K	03/12/15	DD
"E"	ADDED USUG1000-224J	12/06/12	DD
"D"	REMOVED USUG1000-224J	11/12/12	DD
"C"	ADDED USUG1000-224J	04/30/12	DD
"B"	ADDED LAYER 1 MANUFACTURING SPECIFICATION	05/19/04	DD
---	ISO RELEASE	03/12/04	DD
093002	"A" MINIMUM TEMPERATURE RATING WAS -55°C	09/30/02	DD DD
ECN #	REV	REVISION RECORD	DATE BY APP

SCALE NONE	U.S. SENSOR CORP. © COPYRIGHT 714-639-1000 www.ussensor.com NTC THERMISTOR P/N USUG1000-
DRAWN BY DAN DANKERT	
DATE 08/13/02	
REV. "F"	
LAYER 0 OF 2	